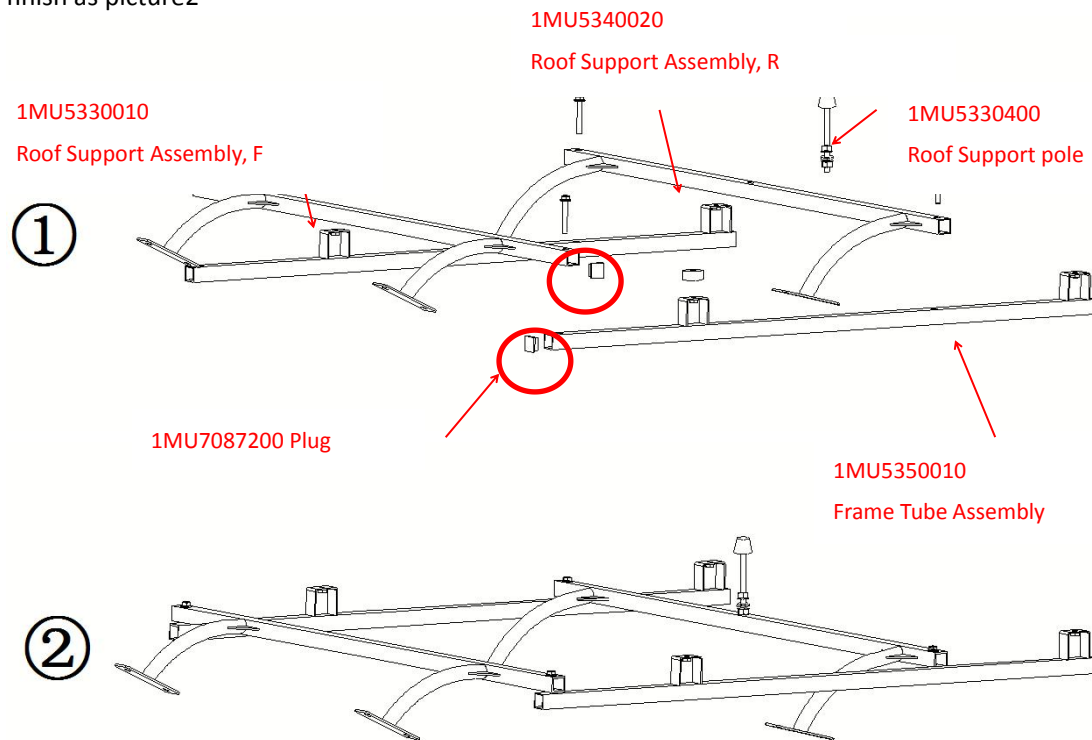


LONG ROOF INSTALLATION INSTRUCTION

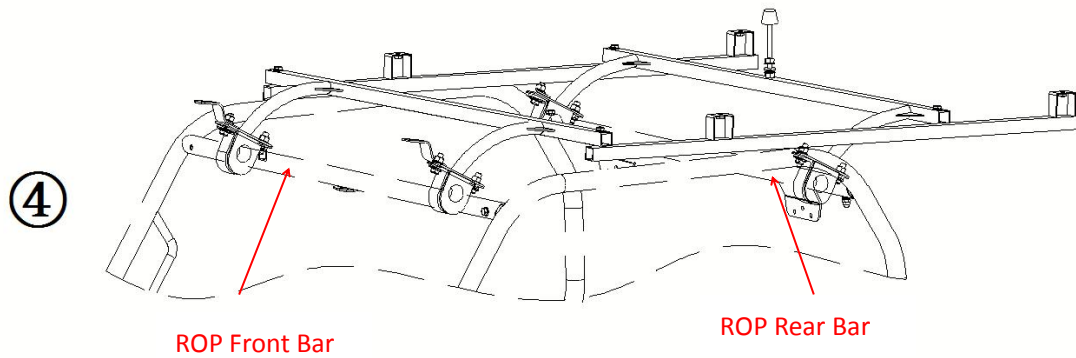
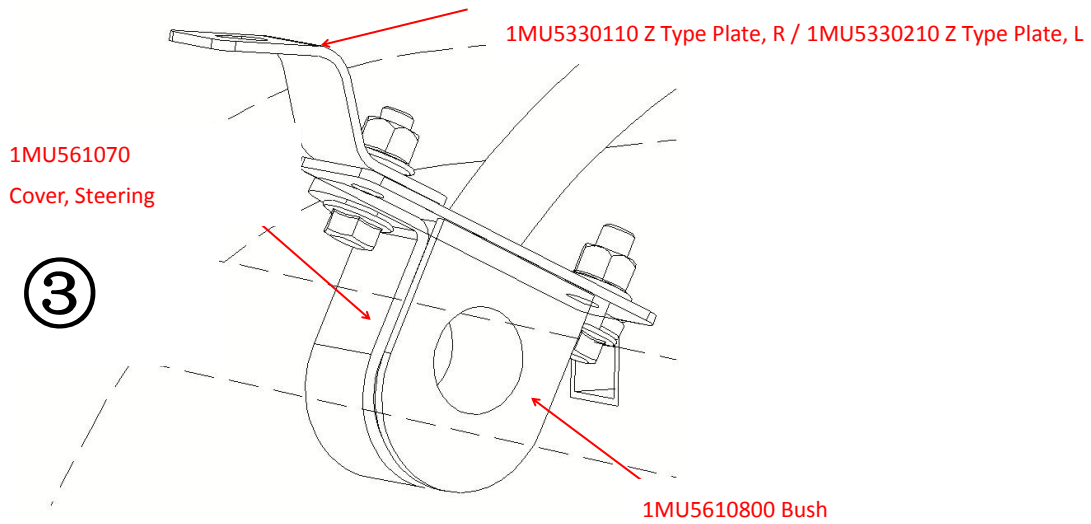
STEP 1:

- 1、 Install plugs at both ends before installing the components
- 2、 Roof support pole is installed in the roof support assembly and adjust the tightness after the roof installed
- 3、 Install front and rear roof support assembly on frame tube assembly shown as picture 1, and finish as picture2



STEP 2:

- 1、 Fixed way: clamp, rubber, shown as picture 3
- 2、 Install the components installed above on the frame ROP bar, shown as picture 4
- 3、 Note: when the front support assembly is fixed to the ROP front bar, the "z-plate" shall be installed together; "Z-plate" is one of the installation points in the roof, but it is not required for rear support assembly installation.



Step 3:

1. Install the roof onto the roof support assembly, rubber pads shall be installed between roof and support assembly shown as picture 5;
2. It is necessary to adjust the tightness between Roof Support pole and roof when installation finished

