



| 序号 SR NO. | 件号Part No. | 名称Description | 名称Description | 数量Qt |
|--------------|----------------|-----------------------|---------------|------|
| 1 | PST150-2-A-001 | Front tire | 前轮胎 | 1 |
| 2 | PST150-2-A-002 | Front rim | 前轮毂 | 1 |
| 3 | PST150-2-A-003 | Steering stem | 下联板 | 1 |
| 4 | PST150-2-A-004 | Front disc brake | 前碟刹 | 1 |
| 5 | PST150-2-A-005 | Front Shock LH, RH | 前左右减震 | 2 |
| 6 | PST150-2-A-006 | Front brake disc | 前制动盘 | 1 |
| 7 | PST150-2-A-007 | Speed sensor | 转速器 | 1 |
| 8 | PST150-2-A-008 | Steel bowl | 钢碗 | 8 |
| 9 | PST150-2-A-009 | Front disc brake clip | 前碟刹线夹 | 1 |
| 10 | PST150-2-A-010 | Tubeless Valve | 气门嘴 | 2 |
| 11 | PST150-2-A-011 | Front axle | 前轮轴 | 1 |
| 12 | PST150-2-A-012 | Front wheel bushing | 前轮衬套 | 1 |
| 13 | PST150-2-A-013 | Self lock screw | 自锁螺母 | 1 |



| 序号 SR NO. | 件号Part No. | 名称Description | 名称Description | 数量Qt |
|--------------|----------------|-------------------------------------|---------------|------|
| 1 | PST150-2-B-001 | Left panel | 左装饰板 | 1 |
| 2 | PST150-2-B-002 | Right panel | 右装饰板 | 1 |
| 3 | PST150-2-B-003 | Tail box guard | 尾灯护罩 | 1 |
| 4 | PST150-2-B-004 | Fuel tank pallet | 油箱托板 | 1 |
| 5 | PST150-2-B-005 | Rear fender | 后泥板 (PP) | 1 |
| 6 | PST150-2-B-006 | License plate light | 牌照灯 | 1 |
| 7 | PST150-2-B-007 | Tail lamp wire | 后尾灯线 | 1 |
| 8 | PST150-2-B-008 | Tail lamp | 后尾灯 | 1 |
| 9 | PST150-2-B-009 | Rear mud plate bracket fixing plate | 后泥板支架固定板 | 1 |
| 10 | PST150-2-B-010 | Rear left turning light | 后左转向灯 | 1 |
| 11 | PST150-2-B-011 | Rear right turning light | 后右转向灯 | 1 |
| 12 | PST150-2-B-012 | Rear reflector plate | 后反射镜片 | 1 |
| 13 | PST150-2-B-013 | Rear bracket of rear fender | 后泥板支架 | 1 |
| 14 | PST150-2-B-014 | Rear edge reflector plate | 后边缘反射器 | 2 |



| 序号 SR NO. | 件号Part No. | 名称Description | 名称Description | 数量Qt |
|--------------|----------------|--------------------|---------------|------|
| 1 | PST150-2-C-001 | Front left guard | 前左护板 | 1 |
| 2 | PST150-2-C-002 | Front right guard | 前右护板 | 1 |
| 3 | PST150-2-C-003 | Front wheel fender | 前轮泥板 | 1 |



| 序号 SR NO. | 件号Part No. | 名称Description | 名称Description | 数量Qt |
|--------------|---------------|-----------------------|---------------|------|
| 1 | PMZ150--D-001 | Front inner mud guard | 前内挡泥板 | 1 |
| 2 | PMZ150--D-002 | Luggage front cover | 杂物箱前罩 | 1 |
| 3 | PMZ150--D-003 | Frame bottom plate | 车架底板 | 1 |



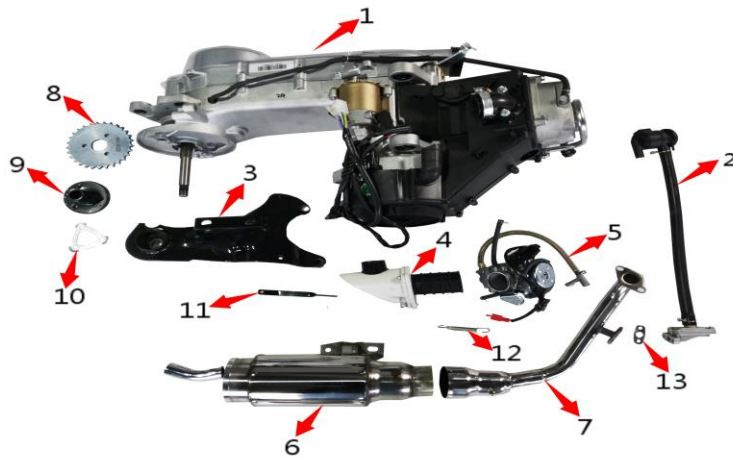
| 序号 SR NO. | 件号Part No. | 名称Description | 名称Description | 数量Qt |
|--------------|----------------|-----------------------|---------------|------|
| 1 | PST150-2-E-001 | Tool box | 工具箱 | 1 |
| 2 | PST150-2-E-002 | Foot pedal | 脚踏板 | 1 |
| 3 | PST150-2-E-003 | Tool box cover | 工具箱内盒 | 1 |
| 4 | PST150-2-E-004 | Luggage cover | 杂物箱内盖 | 1 |
| 5 | PST150-2-E-005 | Rear footpeg | 后脚踏 | 2 |
| 6 | PST150-2-E-006 | Cover, Chassis No. | 号码盖 | 1 |
| 7 | PST150-2-E-007 | Hook up | 挂钩 | 1 |
| 8 | PST150-2-E-008 | Drinking glass | 水杯 | 1 |
| 9 | PST150-2-E-009 | Bolt hole rubber plug | 螺栓孔橡胶塞 | 4 |



| 序号 SR NO. | 件号Part No. | 名称Description | 名称Description | 数量Qt |
|--------------|----------------|----------------------------------|---------------|------|
| 1 | PST150-2-F-001 | Luggage | 杂物箱 | 1 |
| 2 | PST150-2-F-002 | Seat | 坐垫 | 1 |
| 3 | PST150-2-F-003 | Fuel tank | 油箱 | 1 |
| 4 | PST150-2-F-004 | Main wire | 导线 | 1 |
| 5 | PST150-2-F-005 | Battery | 电瓶 | 1 |
| 6 | PST150-2-F-006 | Fuel level sensors | 油位传感器 | 1 |
| 7 | PST150-2-F-007 | Tunsignal relay assy | 闪光器 | 1 |
| 8 | PST150-2-F-008 | Horn | 喇叭 | 1 |
| 9 | PST150-2-F-009 | Regulator | 稳压器 | 1 |
| 10 | PST150-2-F-010 | CDI | 点火器 | 1 |
| 11 | PST150-2-F-011 | Starter relay | 启动继电器 | 1 |
| 12 | PST150-2-F-012 | Ignition coil | 高压泵 | 1 |
| 13 | PST150-2-F-013 | Fuel tank switch | 油箱开关 | 1 |
| 14 | PST150-2-F-014 | Fuel tank cover | 油箱盖 | 1 |
| 15 | PST150-2-F-015 | Oil seal of Fuel level sensors | 油位传感器油封 | 1 |
| 16 | PST150-2-F-016 | Fixed ring of Fuel level sensors | 油位传感器固定圈 | 1 |



| 序号 SR NO. | 件号Part No. | 名称Description | 名称Description | 数量Qt |
|--------------|----------------|---------------------------------|---------------|------|
| 1 | PST150-2-G-001 | Rear mirror LH | 左后视镜 | 1 |
| 2 | PST150-2-G-002 | Rear mirror RH | 右后视镜 | 1 |
| 3 | PST150-2-G-003 | Speedometer | 仪表 | 1 |
| 4 | PST150-2-G-004 | Handlebar | 方向把 | 1 |
| 5 | PST150-2-G-005 | Speedometer bracket | 仪表支架 | 1 |
| 6 | PST150-2-G-006 | Left hand grip | 左胶套 | 1 |
| 7 | PST150-2-G-007 | Throttle grip | 油门胶套 | 1 |
| 8 | PST150-2-G-008 | Left switch | 左开关 | 1 |
| 9 | PST150-2-G-009 | Right switch | 右开关 | 1 |
| 10 | PST150-2-G-010 | Key set | 套锁 | 1 |
| 11 | PST150-2-G-011 | Handlebar small cover | 方向把小盖 | 1 |
| 12 | PST150-2-G-012 | Handlebar button | 方向把小扣 | 1 |
| 13 | PST150-2-G-013 | Seat cushion pull | 坐垫拉线 | 1 |
| 14 | PST150-2-G-014 | Throttle cable | 油门线 | 1 |
| 15 | PST150-2-G-015 | Panel bracket | 面板支架 | 1 |
| 16 | PST150-2-G-016 | Fuel tank pallet | 油箱托板 | 1 |
| 17 | PST150-2-G-017 | Handlebar small cover connector | 方向把小盖连接件 | 1 |

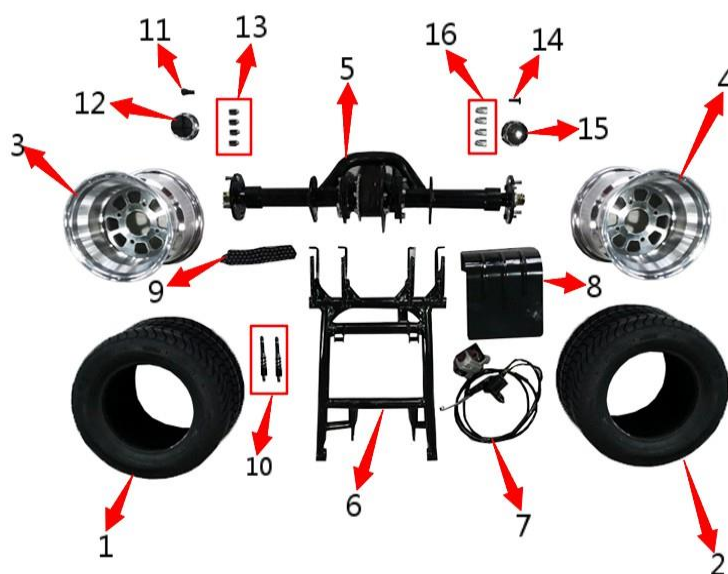


| 序号 SR NO. | 件号Part No. | 名称Description | 名称Description | 数量Qt |
|--------------|----------------|-----------------------|---------------|------|
| 1 | PST150-2-H-001 | Engine | 发动机 | 1 |
| 2 | PST150-2-H-002 | Secondary intake pipe | 二次进气管 | 1 |
| 3 | PST150-2-H-003 | Connecting plate | 三角连接板 | 1 |
| 4 | PST150-2-H-004 | Engine | 空滤 | 1 |
| 5 | PST150-2-H-005 | Air filter | 化油器 | 1 |
| 6 | PST150-2-H-006 | Muffler | 消音器筒子 | 1 |
| 7 | PST150-2-H-007 | Exhaust | 消音器弯管 | 1 |
| 8 | PST150-2-H-008 | Front sprocket | 前链轮 | 1 |
| 9 | PST150-2-H-009 | Sprocket holder | 链轮座 | 1 |
| 10 | PST150-2-H-010 | Sprocket locker | 链轮座锁片 | 1 |
| 11 | PST150-2-H-011 | Air filter bracket | 空滤支架 | 1 |
| 12 | PST150-2-H-012 | Muffler spring | 消音器弹簧 | 1 |
| 13 | PST150-2-H-013 | Attachment | 二次进气附件 | 1 |



| 序号 SR NO. | 件号Part No. | 名称Description | 名称Description | 数量Qt |
|--------------|----------------|---------------|---------------|------|
| 1 | PST150-2-I-001 | Front wall | 前围 | 1 |

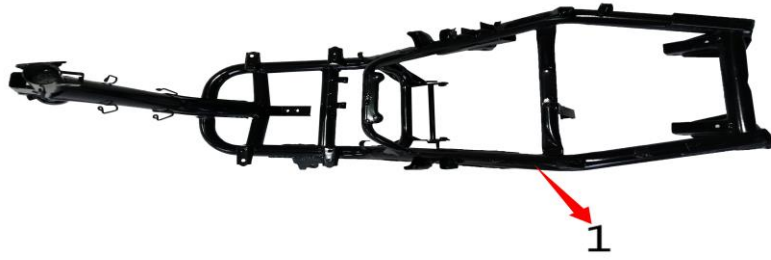
| | | | | |
|---|----------------|--------------------------|--------|---|
| 2 | PST150-2-I-002 | Front panel | 前面板 | 1 |
| 3 | PST150-2-I-003 | Front headlight | 前大灯 | 1 |
| 4 | PST150-2-I-004 | Headlight wire | 大灯线 | 1 |
| 5 | PST150-2-I-005 | Front turning light L, R | 前左右转向灯 | 2 |
| 6 | PST150-2-I-006 | Tool box front cover | 工具箱前罩 | 1 |
| 7 | PST150-2-I-007 | Front turning light wire | 前转向灯线 | 2 |
| 8 | PST150-2-I-008 | Panel decoration | 面板装饰件 | 1 |
| 9 | PST150-2-I-009 | Clip | 线夹 | 2 |



| 序号 SR NO. | 件号Part No. | 名称Description | 名称Description | 数量Qt |
|--------------|----------------|-------------------------|---------------|------|
| 1 | PST150-2-J-001 | Rear tire | 后轮胎 | 1 |
| 2 | PST150-2-J-002 | Rear tire | 后轮胎 | 1 |
| 3 | PST150-2-J-003 | Rear rim | 后轮毂 | 1 |
| 4 | PST150-2-J-004 | Rear rim | 后轮毂 | 1 |
| 5 | PST150-2-J-005 | Differtinal | 差速器 | 1 |
| 6 | PST150-2-J-006 | Swing arm | 后平叉 | 1 |
| 7 | PST150-2-J-007 | Rear brake | 后碟刹 | 1 |
| 8 | PST150-2-J-008 | Chain cover | 上链罩 | 1 |
| 9 | PST150-2-J-009 | Chain | 链条 | 1 |
| 10 | PST150-2-J-010 | Front shock | 前减 | 2 |
| 11 | PST150-2-J-011 | Tubeless Valve | 气门嘴 | 1 |
| 12 | PST150-2-J-012 | Chrome decorative cover | 镀铬装饰盖 | 1 |
| 13 | PST150-2-J-013 | Nut | 螺母 | 4 |
| 14 | PST150-2-J-014 | Tubeless Valve | 气门嘴 | 1 |
| 15 | PST150-2-J-015 | Chrome decorative cover | 镀铬装饰盖 | 1 |
| 16 | PST150-2-J-016 | Nut | 螺母 | 4 |



| 序号 SR NO. | 件号Part No. | 名称Description | 名称Description | 数量Qt |
|--------------|----------------|-----------------------|---------------|------|
| 1 | PST150-2-K-001 | Tail box | 尾箱 | 1 |
| 2 | PST150-2-K-002 | Rear armrest | 后扶手 | 2 |
| 3 | PST150-2-K-003 | Tail box bracket | 尾箱支架 | 1 |
| 4 | PST150-2-K-004 | Tail box bottom plate | 尾箱底板 | 1 |
| 5 | PST150-2-K-005 | Tail box cushion | 尾箱垫皮 | 1 |



| 序号 SR NO. | 件号Part No. | 名称Description | 名称Description | 数量Qt |
|--------------|----------------|---------------|---------------|------|
| 1 | PST150-2-M-001 | Frame | 车架 | 1 |



| 序号 SR NO. | 件号Part No. | 名称Description | 名称Description | 数量Qt |
|--------------|----------------|---------------------------------|---------------|------|
| 1 | PST150-2-N-001 | Rear wheel fender | 后轮泥板（喷漆） | 2 |
| 2 | PST150-2-N-002 | Rear wheel fender bracket | 后轮泥板支架 | 2 |
| 3 | PST150-2-N-003 | Rear wheel fender bracket upper | 后轮泥板支架压板 | 2 |