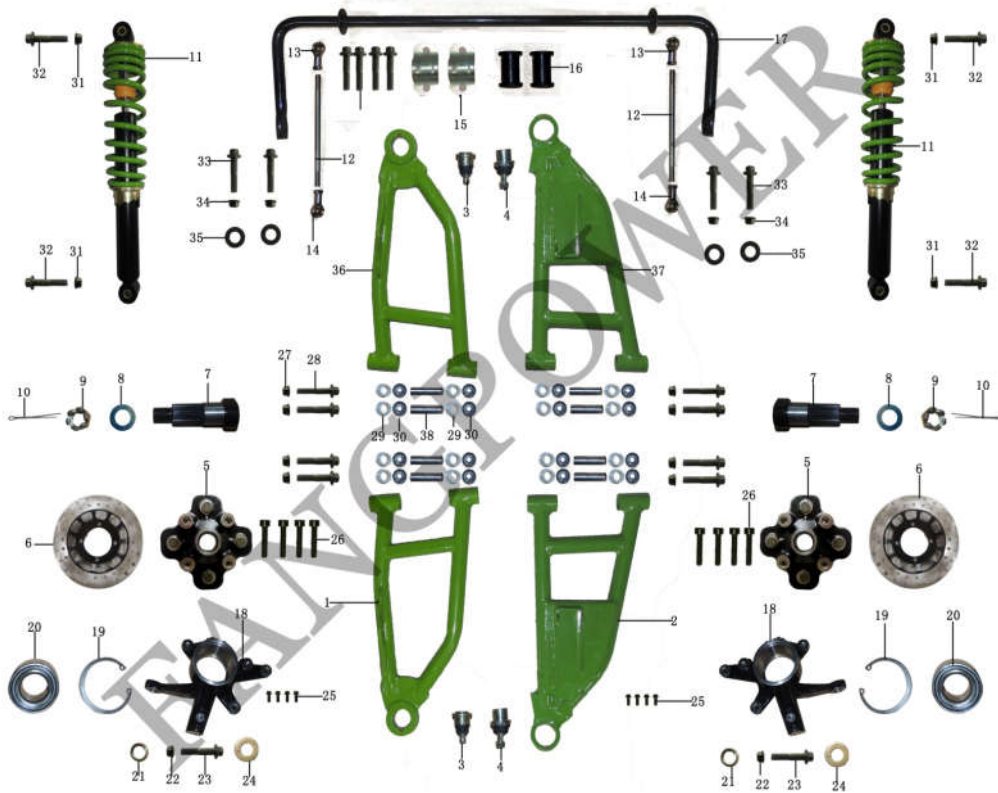


PREDATOR FX400 PREDATOR UTV PARTS CATALOGUE

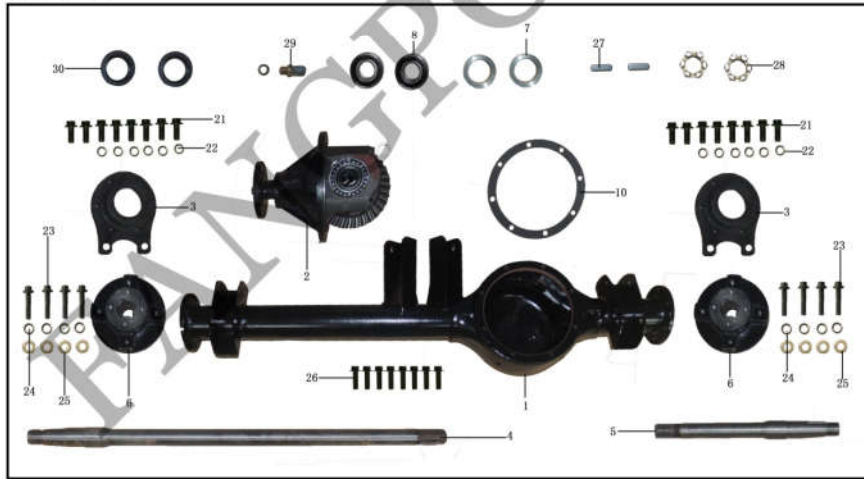


一、前悬挂系统 Front suspension system

图号 Item No.	ERP 配件编号	中文名称 Chinese name	英文名称 English name	型号 Specification
1	10700054	400前摆臂左上	Front upper swing arm left	
2	10700055	400前摆臂左下	Front lower swing arm left	
36	10700056	400前摆臂右上	Front upper swing arm right	
37	10700057	400前摆臂右下	Front lower swing arm right	
29	10100092	摆臂尼龙套	Swing arm nylon bush	
30	10100098	摆臂防尘碗	Swing arm dust-proof cover	
38	10100343	摆臂内衬套(周村)	Swing arm steel bush	
3	10200009	φ 32球头	Φ32 ball-joint	
4	10200008	φ 29球头	Φ29 ball-joint	
5	10200003	前轮毂安装座	Front wheel hub mounting base (Front drive disk)	
6	10200065	250前刹车盘	Front brake disk	
	10200068	UTV250后刹车盘	Rear brake disk	
7-9	10200165	250前驱动轴	front drive shaft	
	10200166	法兰开槽螺母	NUT 20*1.5	
10	10200113	开口销	pin	
11	10700092	400前减震	Front shock absorber	
12	10200020	平衡杆丝杆	Balancing lever screw bar	
13-14	10200023	M10*1.25关节轴承	M10*1.25 joint bearing	
15	10200196	平衡杆卡子	Balancing lever clamp	
16	10200197	平衡杆方套	Balancing lever bush	
17	10200021	平衡杆总成	Balancing lever assembly	
18	10200206	250前羊角轴右	Front steering knuckle assy (right)	
	10200207	250前羊角轴左	Front steering knuckle assy (left)	
19	10200223	φ 55卡簧	φ55 jump ring	
20	10200204	轴承	Bearing	DAC305532
21	10200113	φ 10弹簧垫	φ10 spring gasket	
22	10100203	M10六角法兰自锁螺母	M10 self-locking nut	
23	10100211	M10*45六角法兰螺栓	M10*45 Hex-flange bolts	
24	10100252	φ 10平垫	φ10 flat gasket	
25	10100245	M8*20六角法兰螺栓	M8*20 Hex-flange bolts	
26	102000208	M8*25圆平头内六角螺栓	M8*25 inner hex nut bolts	
27	10100203	M10六角自锁螺母	M10 self-locking nut	
28	010100213	M10*75六角法兰螺栓	M10*75 Hex-flange bolts full screw	
31	10100203	M10六角法兰自锁螺母	M10 self-locking nut	
32	10100212	M10*50六角法兰螺栓	M10*50 Hex-flange bolts	
33	10100211	M10*45六角法兰螺栓	M10*45 Hex-flange bolts	
34	10100203	M10六角法兰自锁螺母	M10 self-locking nut	
35	10200022	M10*1.25关节轴承衬套	Joint bearing M10*1.25 bushing	



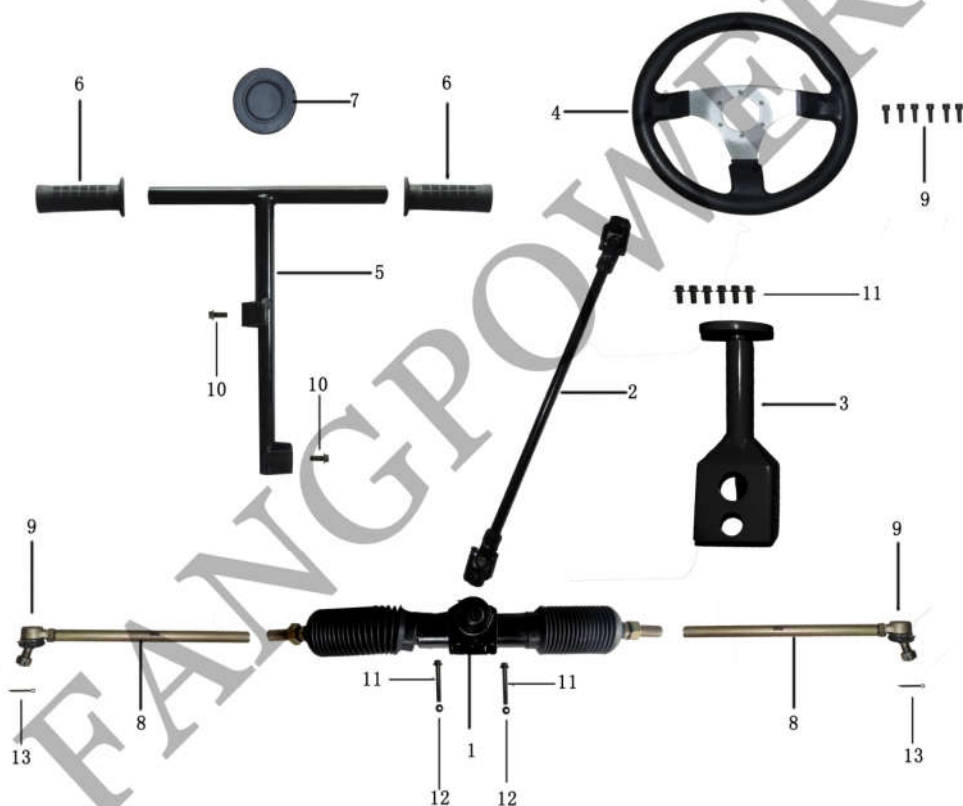
后桥总成：



二、后悬挂系统 Rear suspension system

图号 Item No.	ERP 配件编号	中文名称 Chinese name	英文名称 English name	型号 Specification
1		400后桥架	Rear axle assembly (2-10/21-30)	
2	10700006	400主减速器	Rear reducer	
3	10500033	250后桥碟刹架	Rear brake shelf	
4	10500034	250后桥长半轴	Rear axle longer shaft	
5	10500035	250后桥短半轴	Rear axle shorter shaft	
6	10400173	250后驱动盘	Rear drive plate	
7	10500036	250后桥轴承圈	Rear axle bearing ring	
8	10100085	62*06R2轴承	62*06R2 Bearing	
10	10700116	400减速器纸垫	Rear reducer sealing washer	
21	10100245	M8*20六角法兰螺栓	M8*20 Hex-flange bolts	
22	10100240	M8弹簧垫	M8 spring washer	
23	10200112	M10*50六角螺栓 全丝	M10*50 Hex-flange bolts full screw	
24	10200113	φ10弹簧垫	φ10 spring gasket	
25	10100252	φ10平垫	φ10 flat gasket	
26	10100247	M8*25六角法兰螺栓	M8*25 Hex-flange bolts	
27	10500031	250后桥平键	Rear axle flat key	
28	10500032	250后桥开槽螺母	slotted nut	
29	10500038	250后桥通气螺栓	Air bolt	
30	060200155	油封	SEAL	32*47*8
31	050800089	卡箍固定支架	clip shelf	

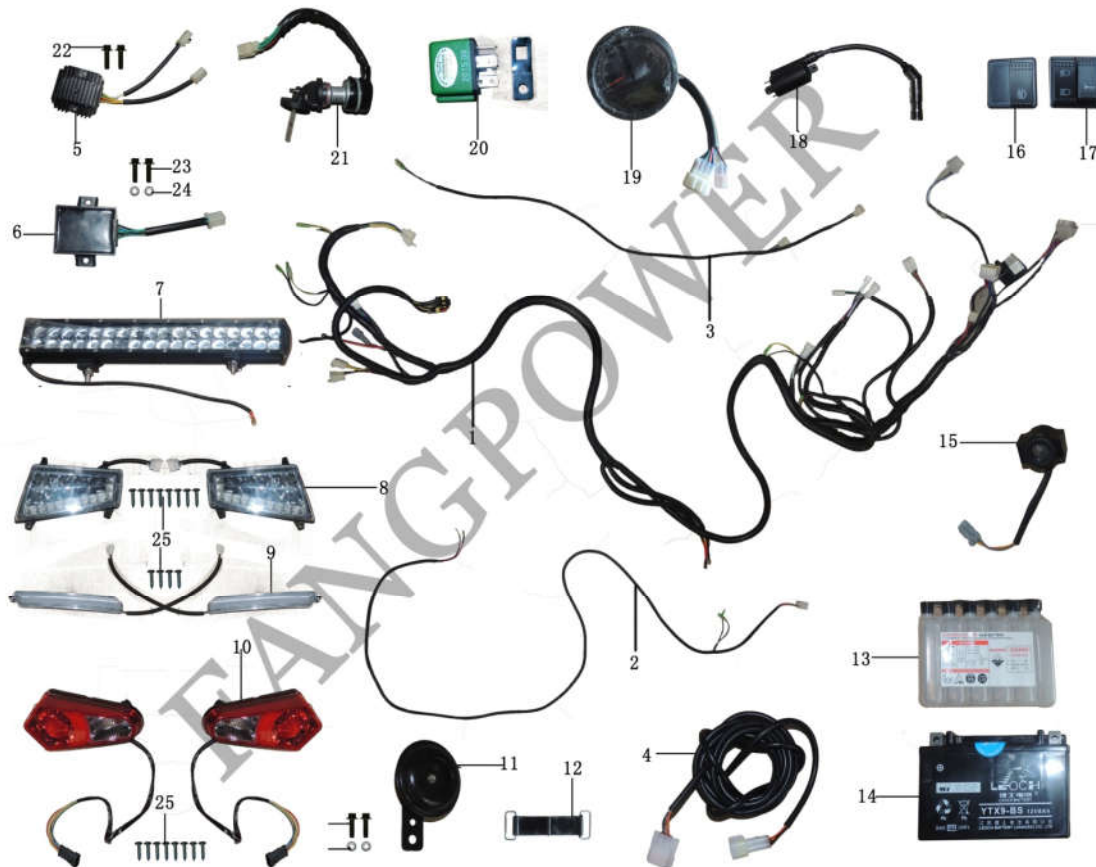
9	10500011	250水冷后传动轴	Rear drive shaft	
11	010700093	400后减震	Rear shock absorption	
12	10700032	400后桥中间拉杆	Rear axle intermediate tie rod	
13	10700033	400后桥纵向拉杆	Rear axle longitudinal tie rod	
14	10200014	关节轴承M14*1.5 正丝	joint bearing (R) M14X1.5	
15	10200015	关节轴承M14*1.5 反丝	Joint bearing (L) M14X1.5	
16	10500028	M14*1.5六角螺母 正丝	M10*1.5 self-locking nut	
16	10500028	M14*1.5六角螺母 反丝	M10*1.5 self-locking nut	
	10200018	球头衬套 $\phi 12$	joint bush $\phi 12$	
	10200019	球头衬套 $\phi 10$	joint bush $\phi 10$	
17	10100212	M10*50六角法兰螺栓	M10*50 Hex-flange bolts	
18	10100203	M10六角法兰自锁螺母	M10 self-locking nut	
19	010200107	M8*35六角法兰螺栓	M8*35 Hex-flange bolts	
20	10100242	M8六角法兰自锁螺母	M8 self-locking nut	



三、转向系统 Steering System

图号 Item No.	ERP 配件编号	中文名称 Chinese name	英文名称 English name	型号 Specification
1	10200172	400方向机	Redirector	
2	10200171	转向连杆 (嘉州)	Steering connecting rod	
3	10700007	400方向柱	Steering columns	
4	10700024	$\phi 320$ 方向盘	$\phi 320$ Steering wheel	
7	10700025	400方向盘盖	Steering wheel cover	
5	10100001	副驾驶扶手	Copilot handrail	
6	10100004	副驾驶扶手套	Copilot handrail grip	

8	10700070	400转向拉杆	Steering tie-rod	
9		(嘉州带球头)		
10	10100244	M8*16六角法兰螺栓	M8*16 Hex-flange bolts	
11	010200125	M8*65六角法兰螺栓	M8*65 Hex-flange bolts	
12	010100242	M8自锁螺母	M8 self-locking nut	



四、电器系统 Electric system

图号 Item No.	ERP 配件编号	中文名称 Chinese name	英文名称 English name	型号 Specification
1	10700030	400全车线	Wire harness	
2-3	010200163	顶灯线	Roof light cable	
4	10100121	车速传感器连接线	Vehicle speed sensor cable	
5	10700014	400稳压器	voltage regulator	
6	10700015	400点火器	CDI Igniter	
7	010700062	UTV400长条顶灯	Roof light bar	
	010100276	Φ32卡箍	Roof light clip	
8	010700035	400前大灯左	Headlight left	
	10700036	400前大灯右	Headlight right	
9	10700041	400行车灯左	led bar light left	
	10700042	400行车灯右	Led bar light right	
10	10100127	后尾灯 左	Taillight left	
	10100128	后尾灯 右	Taillight right	
11	10100009	电喇叭	Horn	
12	010100166	电瓶卡	Battery clip	
13-14	010100366	电瓶 12V 12AH	Battery	
15	10100011	启动继电器 新	Start relay	

16	10200032	顶灯翘板开关	Roof light switch	
	10700121	转向翘板开关	turn light switch	
17	10100156	喇叭翘板开关	Horn switch	
	010100157	大灯翘板开关	Front light switch	
18	10700016	高压包	Ignition Coil	
19	010700028	400仪表	Instrument	
20	10700001	400小型继电器	Vice relay	
21	10100010	电锁	Ignition switch	
22	10100237	M6*25六角法兰螺栓	M6*25 Hex-flange bolts	
23	10100325	M6*20六角法兰螺栓	M6*20 Hex-flange bolts	
24	10100228	M6六角法兰螺母	M6 Hex-flange nuts	
25	10100223	十字扁头自攻丝	self-tapping screw	



五、座椅 Seat

图号 Item No.	ERP 配件编号	中文名称 Chinese name	英文名称 English name	型号 Specification
1-2	010200142	大座椅	Seat	
3/5	010100149	主驾驶座椅滑道	Main driver seat slideway	
4/6	10100150	副驾驶座椅滑道	Vice driver seat slideway	
7	010100134	安全带	Safety belt assembly	
8	10100133	安全带扣		
9	10100209	M10*20六角法兰螺栓	M10*20 Hex-flange bolts	
10	10100228	M6六角法兰螺母	M6 Hex-flange nuts	
11	010100339	M6*12内六角螺栓	M6*12 Hex-flange bolts	
12	010100257	φ6平垫	φ6 flat gasket	
13	10100078	座椅支架管	Seat support shelf	
14	10100245	M8*20六角法兰螺栓	M8*20 Hex-flange bolts	

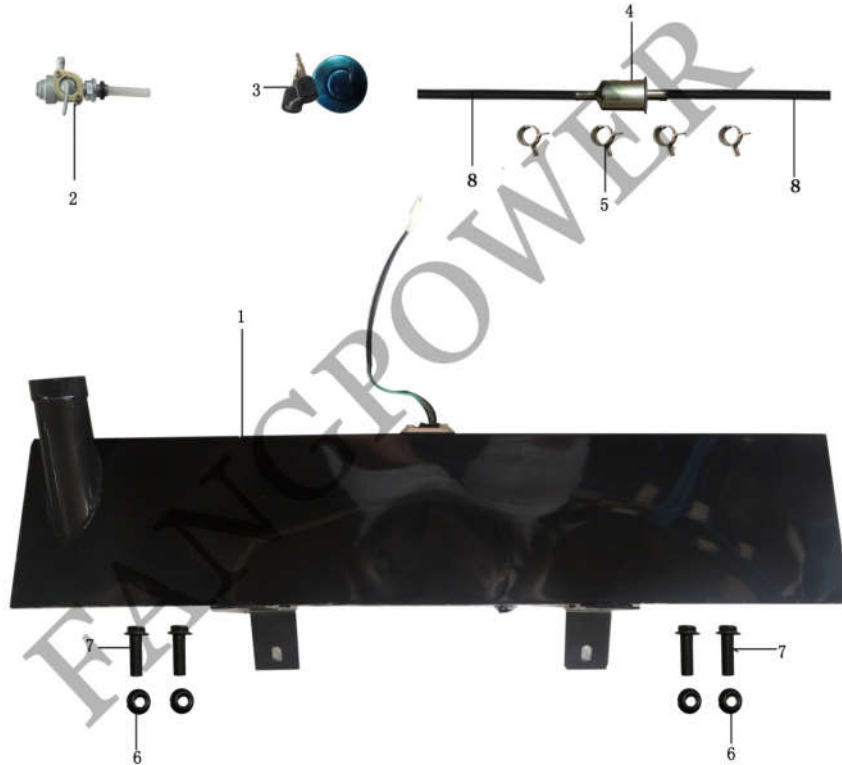
15	10100242	M8六角法兰自锁螺母	M8 Hex-flange self-locking nut	
16	10100134	安全带螺母	Safety belt bolts and nuts	
17	010100329	大座椅加强版	Seat reinforcing plate	



六、塑料件及附件 Plastic Parts and Accessories

图号 Item No.	ERP 配件编号	中文名称 Chinese name	英文名称 English name	型号 Specification
1	010700038	400前面板	Front fender	
2	010100172	400引擎盖	Hood	
3	10100072	前护板	Front guard	
4	10100071	脚踏板	Footrest pedal	
5	10100114	加长连接板	Extended connecting plate	
6	10100168	座椅底板	Seat baseboard	
7	10100145	背靠板	Back board	
8	10100143	后货箱	Cargo box	
9	10700039	400后面板	Rear fender	
10	10500004	加水口盖	Filler cap	
11	010100159	加长左侧板	Left guard plate	
	010100160	加长右侧板	Right guard plate	
12	010100173	左轮眉	Left wheel arch	
	010100174	右轮眉	Right wheel arch	
13	010100138	后视镜	Rear mirror	
19	010100158	后视镜支架	Rear mirror shelf	
14	50800109	400保险杠装饰板	FANGPWOER Car grille	
15	010100125	仪表盒	Instrument panel	
16	10200090	前面板支架-1	Front fender shelf 1	
	10200091	前面板支架-2	Front fender shelf 2	
17	10200052	半挡风玻璃	Windshield	

	010100276	挡风玻璃卡箍Φ32	Windshield clip	
18	10700008	400加水口盖合页	Filler cap hinge	
20	10100131	塑料挂钩	Plastic hook	
21	10100261	扎带	Cable Ties	
22	10100235	M6*16十字盘头螺栓	M6*16 Cross pan head bolts	
23	10100231	M6*16六角法兰螺栓	M6*16 Hex-flange bolts	
	10700109	贴花	STICKER	
24	10100117	按扣	Snap fastener	



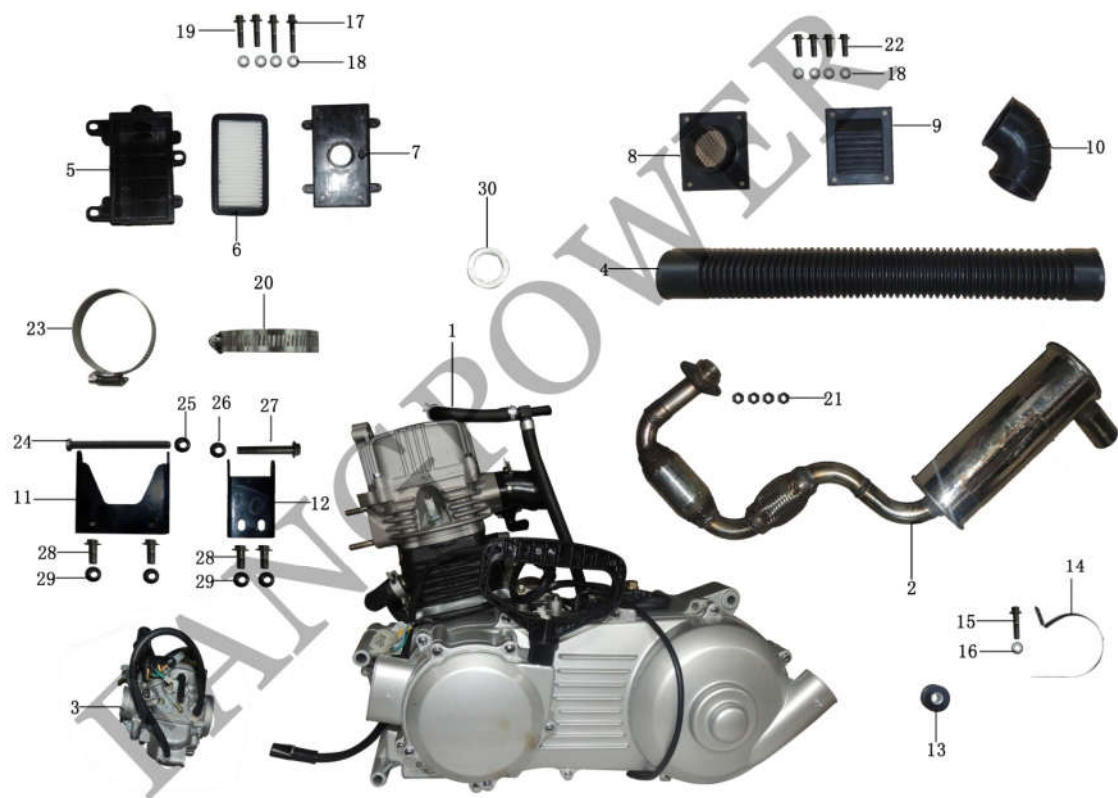
七、燃油系统Fuel System

图号 Item No.	ERP 配件编号	中文名称 Chinese name	英文名称 English name	型号 Specification
1	010700140	400上置油箱-2	Fuel tank	
2	10700127	油箱开关(右)	Fule tank switch	
3	010100332	油箱盖(带钥匙)	Fuel tank cap	
4	10100019	豹王滤油器	Fuel filter	
5	10100326	油管卡Φ8.5	Oil pipe clamps	
6	10100241	M8六角法兰自锁螺母	M8 Hex-flange self-locking nut	
7	010100245	M8*20六角法兰螺栓	M8x20 Hex-flange bolt	
8	10100182	细油管Φ6*8	oil pipe	



八、轮辋、轮胎Rim and Tire

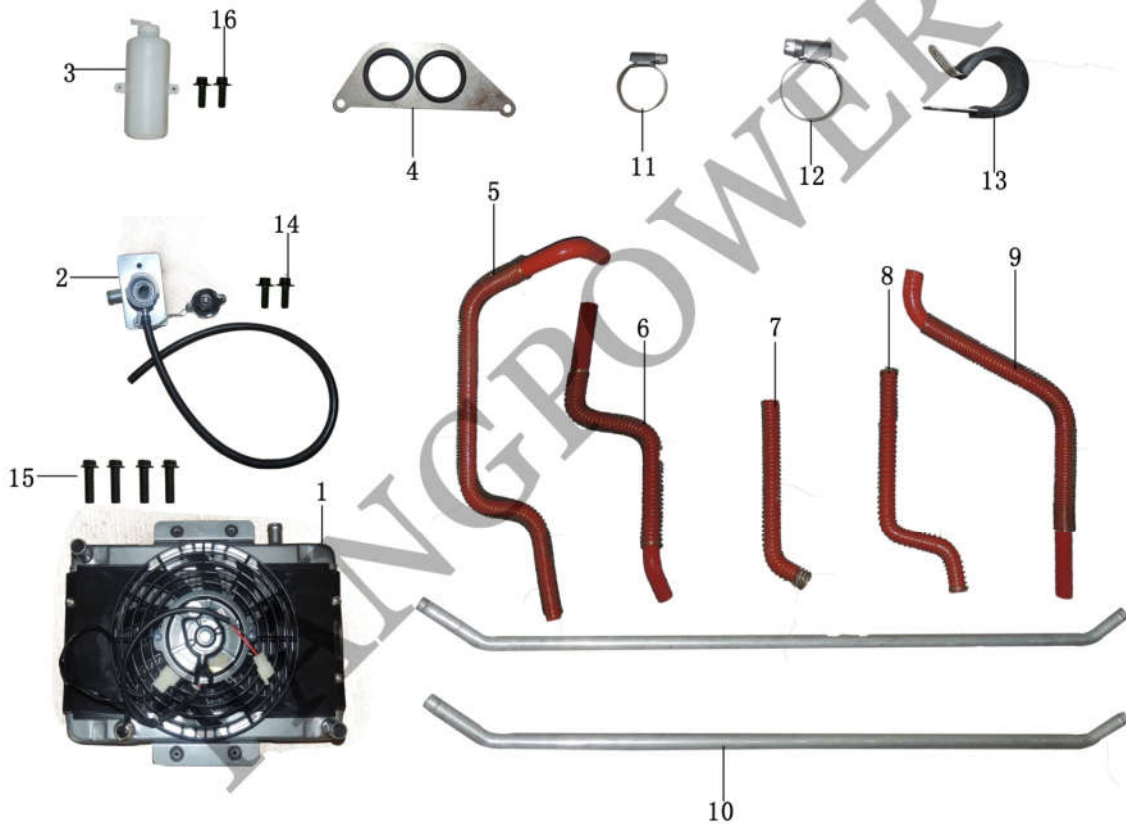
图号 Item No.	ERP 配件编号	中文名称 Chinese name	英文名称 English name	型号 Specification
1	10200055	前轮胎25×8-12	Front tire 25x8-12	
2	10200056	后轮胎25×10-12	Rear tire 25x10-12	
7	10200053	前轮辋12×6	Front rim 12x6	
3	10200054	后轮辋12×8	Rear rim 12x8	
4	010100205	轮胎螺母	Cap-type nut	
5	10200057	防尘盖	Dust-cover	
6	10100281	气门嘴	Valve	



九、进/排气系统Intake and exhaust system

图号 Item No.	ERP 配件编号	中文名称 Chinese name	英文名称 English name	型号 Specification
1	10700013	400发动机	400 Engine	
2	10700029	400消音器总成	Muffler	
	10700029	400消音器总成 epa 状态	EPA muffler	
	10700146	消音器护罩	muffler cover	
3	10500047	化油器108主量孔 (PD30 化油器)	PD30 carburetor	
4/8/9	10700003	进气管总成	Inlet pipe assembly	
5	10700080	塑料空滤器壳体-1	Air cleaner cover 1	
7	10700081	塑料空滤器壳体-2	Air cleaner cover 2	
6	10500018	250水冷空气滤清器	Air filter	
10	10700011	400进气弯头	Inlet pipe elbow	
	10700096	CVT进气弯头	Cvt Inlet pipe elbow	
	10700097	CVT400排气弯头	Cvt air-out pipe elbow	
	10700144	CVT进气弯头滤网	Cvt Inlet pipe elbow filter	
	10700145	CVT排气弯头滤网	Cvt air-out pipe elbow filter	
11	50800054	400吊挂-1	Engine Hang part 1	
12	50800055	400吊挂-2	Engine Hang part 2	
13	010700085	空滤器吊挂胶套	Air cleaner cover hang part rubber bush	
	010700090	空滤器铁衬套	Air cleaner steel bush	
14	10700020	φ 58卡箍	clamp φ58	

15	10100325	M6*20六角法兰螺栓	Screw hex-flange M6X20	
16	10100228	M6六角法兰螺母	M6 Nut	
17	10100237	M6*25六角法兰螺栓	Screw hex-flange M6X25	
18	10100228	M6六角法兰螺母	M8 Nut	
19	10100325	M6*20六角法兰螺栓	Screw hex-flange M6X20	
20-23	10700119	卡箍 φ44-64	clamp φ44-64	
21	10100241	M8六角螺母	M8 Nut	
22	10100230	M6*16六角法兰螺栓	Screw hex-flange M6X16	
24	10700047	M10*160六角螺栓	Screw hex-flange M10X160	
25	10100214	M10*1.5六角法兰自锁螺母	M10*1.5 self-locking nut	
26	10100203	M10六角法兰自锁螺母	M10 self-locking nut	
27	10100213	M10*75六角法兰螺栓	Screw hex-flange M10X75	
28	10100209	M10*20六角法兰螺栓	Screw hex-flange M10X20	
29	10100203	M10六角法兰自锁螺母	M10 Nut	
30	10700066	消音器垫片	Muffler gasket	

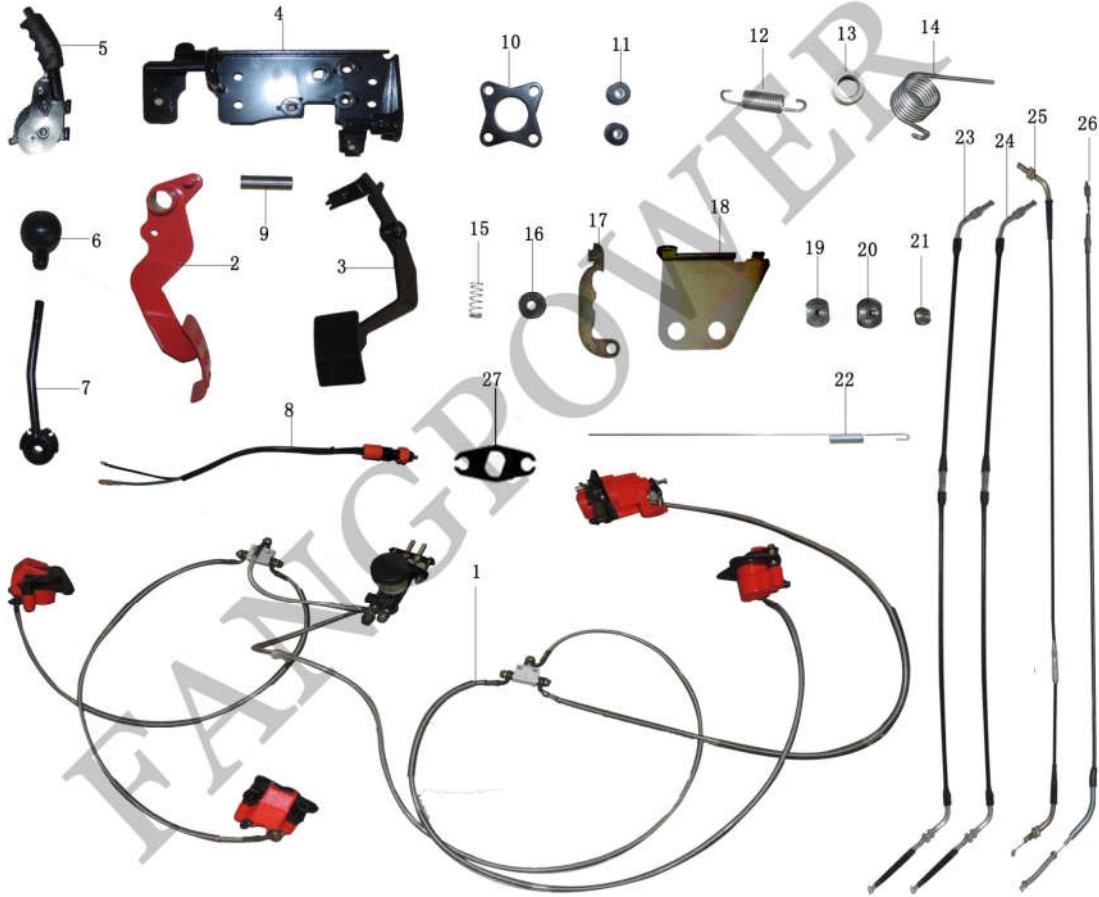


十、冷却系统 COOLING SYSTEM

图号 Item No.	ERP 配件编号	中文名称 Chinese name	英文名称 English name	型号 Specification
1	10700022	400散热器	400 radiator	
2	10700142	400加水口	radiator filter cap	
3	10700104	400方形副水壶	spare kettle	
4	50800122	400水冷管支架	water pipe shelf	
5-9	10700010	400水管 (胶)	water pipe (rubber)	
10	10700023	400水管 (铝)	water pipe (Aluminum)	
11	10500053	德式卡箍 16-25	clamp 16-25(German-style)	

名称不对

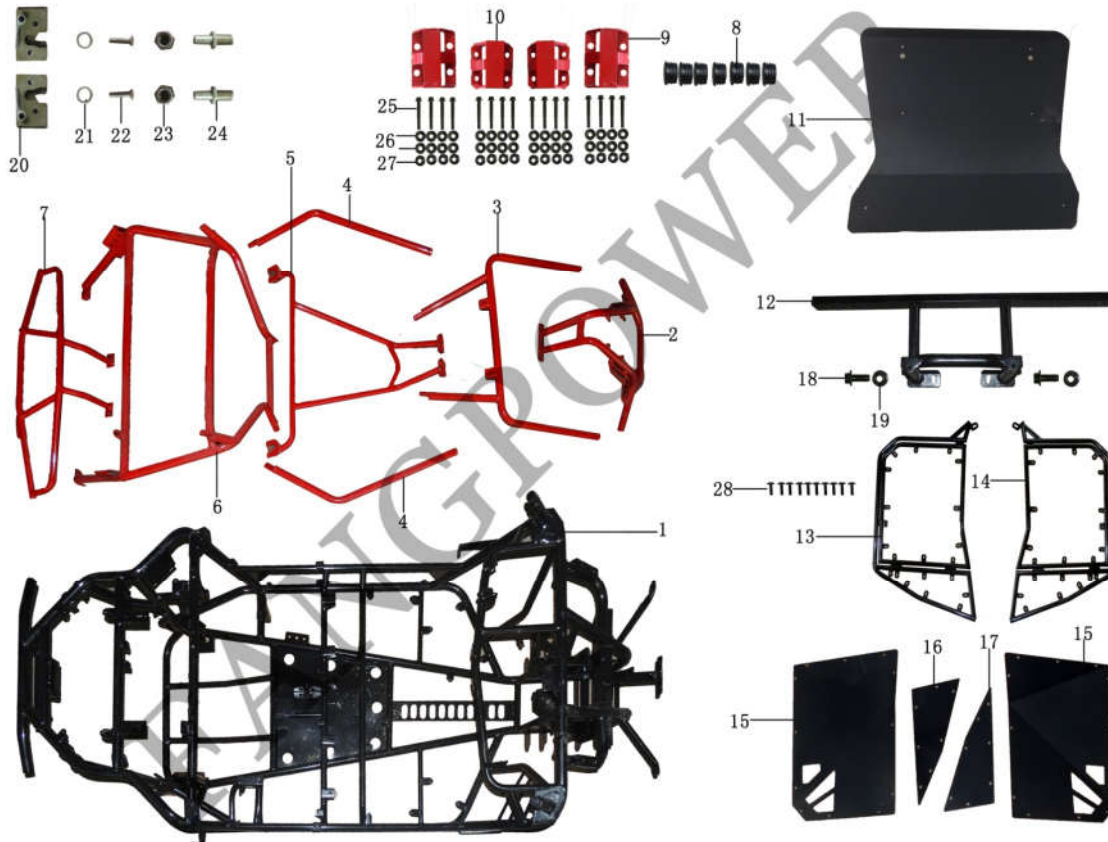
12	10500052	德式卡箍 19-32	clamp 19-32(German-style)	
13	10700019	卡箍 φ19	clamp φ19	
14	10100231	M6*16六角法兰螺栓	Screw hex-flange M6X16	
15	10100237	M6*25六角法兰螺栓	Screw hex-flange M6X25	
16	10100231	M6*16六角法兰螺栓	Screw hex-flange M6X16	



十一、操作系统Operation System

图号 Item No.	ERP 配件编号	中文名称 Chinese name	英文名称 English name	型号 Specification
1	10200064	250碟刹总成	DisK brake assembly	
	10200065	250前刹车盘	Disk brake plate front	
	10200068	250后刹车盘	Disk brake plate rear	
	10400126	250刹车蹄片(前)	Front brake pads	
	10400127	250刹车蹄片(后)	Rear brake pads	
2	10100347	刹车踏板(新)	Brake pedal	
3	10200072	250油门踏板	Acceleration pedal	
4	10200141	250踏板固定座	Pedal holder	
5	10200071	250手刹器	Hand Brake	
6	10100082	变档把手	Shift handle	
7	10100282	变档杆	Shift lever	
8	10100015	刹车灯开关	Brake Lamp Switch	
9	10100064	摆臂内衬套 大	Bush	
10	10100087	刹车泵固定板	Brake pump mounting plate	
12	10100100	脚踏回位簧	Brake Pedal return spring	

13	10100112	刹车踏板衬套	Brake pedal bushing	
14	10100103	油门踏板回位簧	Accelerator pedal spring	
15	10100102	变档限位回位簧	Shift limit return spring	
16	10100091	变档限位固定垫片	Shift limit board fixed gasket	
17	10700098	400变档限位板	Shift limit board	
18	10700078	400变档支撑板	Shift support plate	
19-20	10100109	变档支撑板固定套	Shift support plate fixed sleeve	
21	10100095	变档限位板固定套	Shift limit board fixed sleeve	
22	10100099	脚踏开关簧	Brake Pedal switch spring	
23-24	10700021	400变档线	Shift gear line	
25	10200069	250油门线	Throttle line	
26	10200070	250手刹线	Brake line	
27	10100111	发动机变档摇臂	Gear shift arm	
	10400621	400刹车钳	rear brale calliper left	
	10400270	250后刹车分泵（右）	rear brake calliper right	
	10400136	250前刹车分泵（左）	front brale calliper left	
	10400137	250前刹车分泵（右）	front brake calliper right	



十一、车架及配件 Frame and Accessories

图号 Item No.	ERP 配件编号	中文名称 Chinese name	英文名称 English name	型号 Specification
1	10700031	400车架	Frame	

2	010700052	400前保险杠-1	UTV400 Front bumper1	
3	010200077	400车棚弯管-前	Shed pipe front	
4	010200082	C杠 左	C bumper left	
	010200083	C杠 右	C bumper right	
5	10700053	400前保险杠-2	UTV400 Front bumper2	
6	10200078	400车棚弯管-后	Shed pipe rear	
7	010200081	400后保险杠	UTV400 Rear bumper	
8	10700071	保险杠堵头	Bumper dust plug	
9	10700060	400保险杠抱箍大	Bumper hoop large	
10	10700061	400保险杠抱箍小	Bumper hoop small	
11	010200094	铁质顶棚	Steel roof	
	010100276	Φ32卡箍	Steel roof clip	
12	10200092	后面板支架	Rear fender shelf	
13	010200085	右半门	Right half-door	
14	10200084	左半门	Left half-door	
15	010700106	UTV400半门板-1	Half door plate-1	
	010700107	UTV400半门板-2	Half door plate-2	
18	10100245	M8*20六角法兰螺栓	Screw hex-flange M8X20	M8X20
19	10100242	M8六角法兰自锁螺母	M8 Hex-flange self-locking nut	
20-24	10200095	半门锁	Half door lock	
25	10100237	M6*25六角法兰螺栓	Screw hex-flange M6X25	
27	10100236	M6六角法兰螺母	M6Hex-flange nut	
	10700177	备胎支架	spare tire shalf	
	10200199	21-7堵头（顶棚堵头）	ROOF HOLE RUBBER	
	10700076	脚垫	MAT	