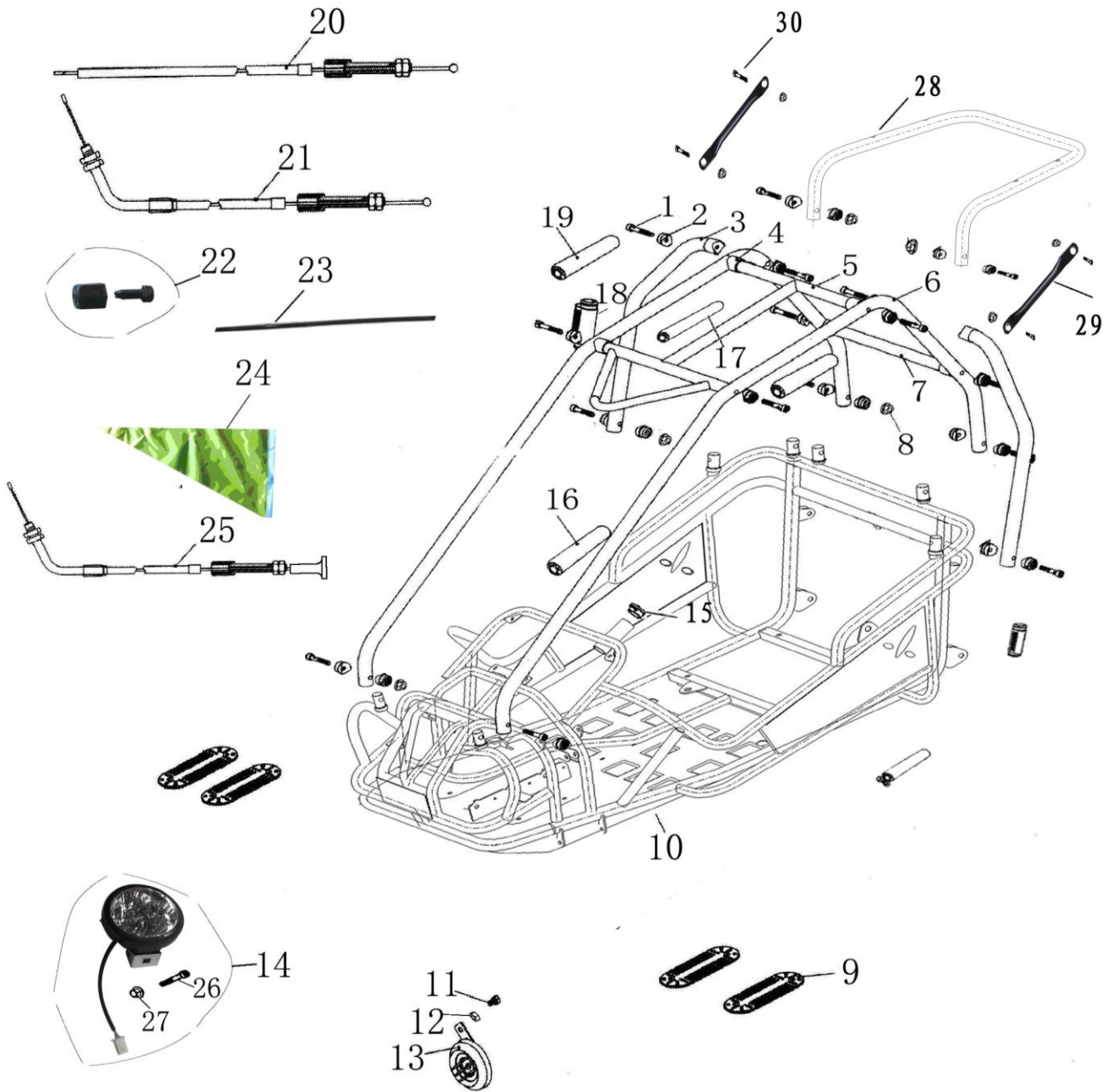




# **TRAILMASTER GO-KART MINI XRX/R PARTS MANUAL**

**(FRAME PARTS ONLY, ENGINE PARTS ARE SAME AS MINI XRX ENGINE PARTS)**

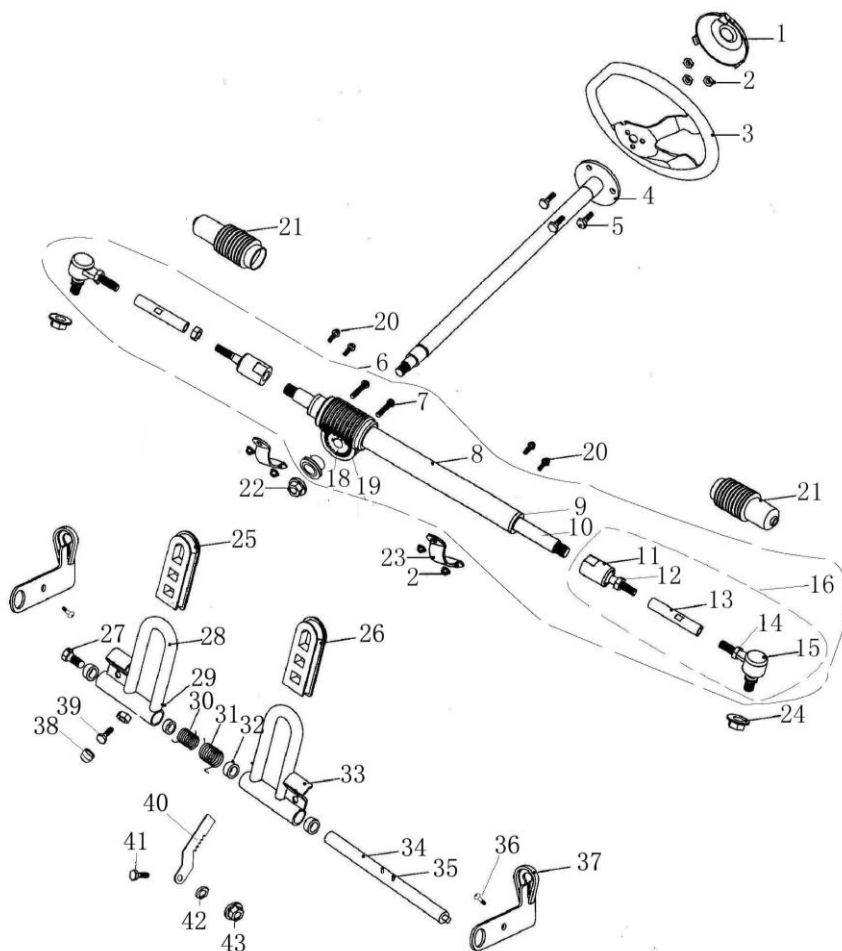
Fig 12 FRAME GROUP



NO.	PART #	DESCRIPTION	QTY.
1	57870804512505	ALLEN HEAD BOLT M8x1.25x45	16
2	8010047250G000	R-WASHER	22
3	8.070.046-50	CUSTOM J-BAR, L.R. SIDE Black	2
4	7010045050G000	CUSTOM BAR CAGE CAP 22	8
5	6.000.194-50	CUSTOM CROSS BAR TOP, FR. Black	1
6	8.070.045-50	CUSTOM BAR CAGE. Black	2
7	8.080.041-50	CUSTOM CROSS BAR, RR. Black	1
8	61870800012505	NUT M8X1.25	8

9	7020045080G000	RUBBER FOOT PLATE	4	
10	2000037050G0B0	FRAME COMP. (R.S.Y, P)	1	
11	57890801612505	FLANGE BOLT M8x1.25x16	1	
12	61700800012505	NUT M8	1	
13	6000135250G000	HORN, H	1	
14	LED HEADLIGHT	LED HEADLIGHT	2	
15	7010006150G000	STEERING SHAFT BUSH	1	
16	6000189050G000	FOAM PADDING — 22	2	
17	6000191050G000	FOAM PADDING	1	
18	7020048050G000	RUBBER PROTECTOR	2	
19	6000190050G000	FOAM PADDING — 30	2	
20	6.030.132	THROTTLE CABLE COMP.	1	
21	6.000.133	BRAKE CABLE COMP.	1	
22	FLAGPOLE HOLDER	FLAGPOLE HOLDER	1	
23	FLAGPOLE	FLAGPOLE	1	
24	FLAG	FLAG	1	
25	6.130.134-mini	CHOKE CABLE COMP mini/R	1	
26	81800604010005	GB818 BLOT M6X14	2	
27	61770600010005	GB6177 NUT M6	2	
28	4020020050GH00	Rear rack mini/R	1	
29	8080042050GH00	Rear Rack supporting bar	2	
30	57870801612505	BOLT GB578 M8x16	2	

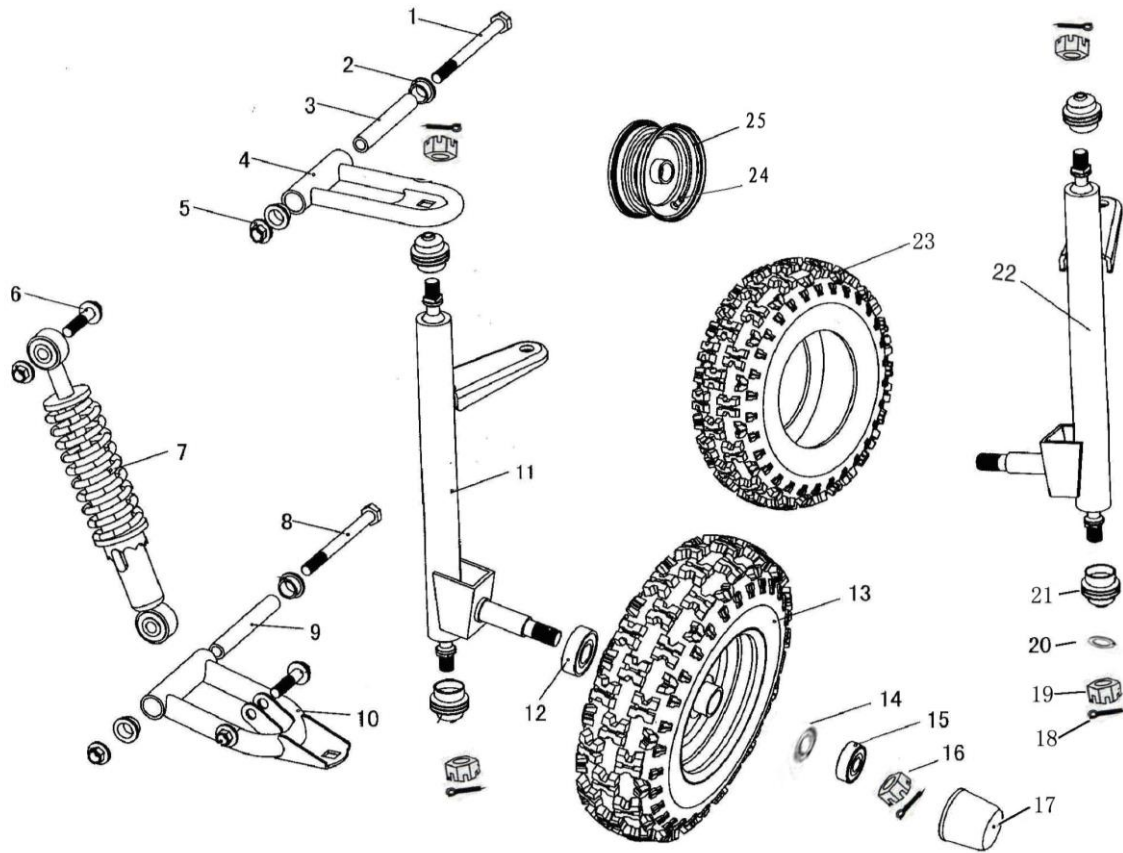
Fig 13: STEERING SHAFT ASSY



NO.	PART #	DESCRIPTION	QTY.
1	7010056080G000	STEERING BOLT COVER	1
2	61870600010006	LOCKING NUT M6	7
3	7020057080G000	STEERING WHEEL	1
4	2000056080G000	STEERING-SHAFT	1
5	57830601610005	GB5783 BOLT M6 x16	3
6	4020000050G000	MINI XRX(/R) steering assy.	1
7	81800501410001	GB818 BOLT M5 x12	2
8	8010079050G700	connecting pipe	1
9	7010007080G000	STEERING GEAR BUSH	2
10	8010075050G200	gear axle	1
11	6000180080G200	STEERING BALL JOINT	2
12	61710800012505	GB6170 nut m8	2
13	8010135050G000	TIE ROD	2
14	61700800012505(L)	GB6170 nut m8(L)	2
15	6000181080G000	ROD END	2

16	8000002050G000	TIE ROD ASSY	2	
18	8010131080G300	STEERING GEAR	1	
19	4010001080G000	Connecting device、 COVER	1	
20	57870602010005	GB5787 BOLT M6 x20	4	
21	7020059080G000	STEERING BALL JOINT DUST COVER	2	
22	61871000012502	LOCKING NYLON NUT M10*1.25	1	
23	8020130080G000	STEERING GEAR BRACKET(R.S.B)	2	
24	61870800012505	NUT M8	2	
25	7020044080G000	THROTTLE PEDAL PAD	1	
26	7020043080G000	BRAKE PEDAL PAD	1	
27	70000801612505	ALLEN HEAD BOLT M8x1.25x16	1	
28	4000026050GH00	THROTTLE PEDAL COMP.	1	
29	87910300160000	ROLL PIN M3x16	2	
30	8040011080G000	THROTTLE PEDAL RETURN SPRING, L	1	
31	8040010080G000	BRAKE PEDAL RETURN SPRING, R	1	
32	7010003250G000	PEDAL BUSH	4	
33	4000025050GH00	BRAKE PEDAL COMP.	1	
34	8010103050G200	PEDAL BOLT	1	
35	87910300200000	ROLL PIN $\Phi 3 \times 20$	2	
36	81800501210005	BOLT, M5x12	2	
37	8020144050GH00	PEDAL BRACKET	2	
38	7010022080G000	Rubber Food Pedal Stop	1	
39	57820804012505	Allen Bolt M8x40	1	
40	8020209080G000	Stopping plate	1	
41	110F7602010005	BOLT M6X20	1	
42	970008000000005	GB96 WASHER $\phi 6$	1	
43	61700600010001	GB6170 NUT M6	2	

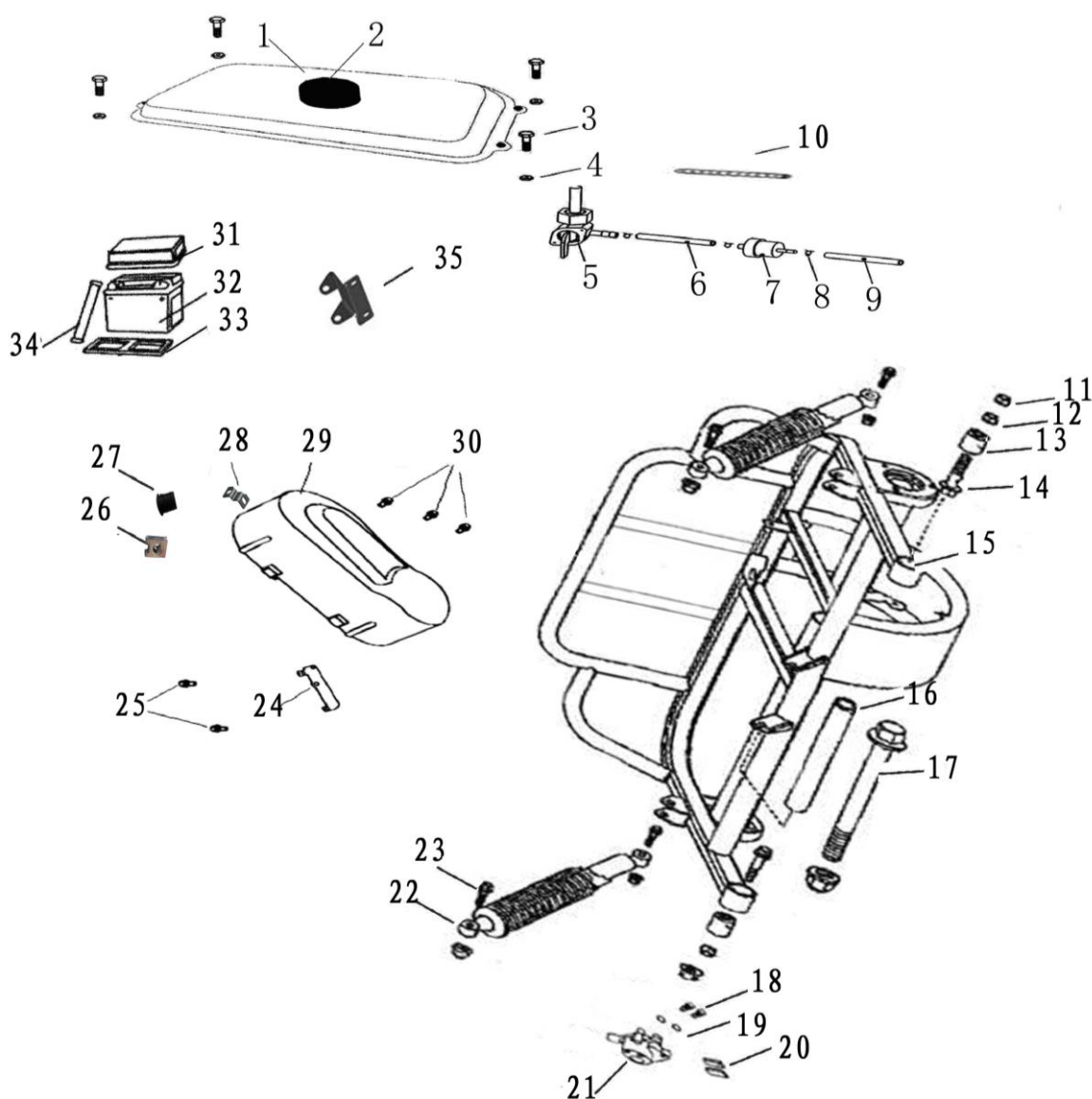
Fig 14 SUSPENSION ARM ASSY



NO.	PART #	DESCRIPTION	QTY.
1	57890809512505	FLANGE BOLT M8 x 1.25 x 95	2
2	7010003250G000	UPPER SUSPENSION ARM BUSH.	8
3	8010104050G000	UPPER SUSPENSION ARM COLLAR.	2
4	4000020050GH00	UPPER SUSPENSION ARM	2
5	61870800012505	LOCKING FLANGE NYLON NUT M8	8
6	57890803012505	FLANGE BOLT M8x1.25x30	4
7	6000172050G000	CUSHION ASS'Y. FR.	2
8	57890810512505	FLANGE BOLT M8x1.25x105	2
9	8010015250G000	LOWER SUSPENSION ARM COLLAR.	2
10	4000021050GH00	LOWER SUSPENSION ARM ASS'Y.	2
11	2000031050GH00	SPINDLE AND STRUT SUPPORT, R	1
12	62022RS0000000	BEARING 6202	2
13	6100169050G000	FRONT WHEEL ASSY.	2
14	97001200000005	WASHER φ12	2
15	62012RS0000000	BEARING 6201	2
16	94571200012505	NUT M12	2
17	7020039250G000	HUB COVER. FR.	2
18	GB912002500002	COTTER PIN Φ2X25	6

19	94571000012505	NUT M10	4	
20	97001000000005	WASHER $\varphi$ 10	4	
21	7020061080G000	BALL HEAD DUST SEAL	4	
22	2000032050GH00	SPINDLE AND STRUT SUPPORT, L	1	
23	4403100050G000	TIRE, FR 4.10-6	2	
24	7190018080G000	Air Valve	2	
25	6000182050G000	RIM, FR	2	

FIG 15 REAR SWING ARM

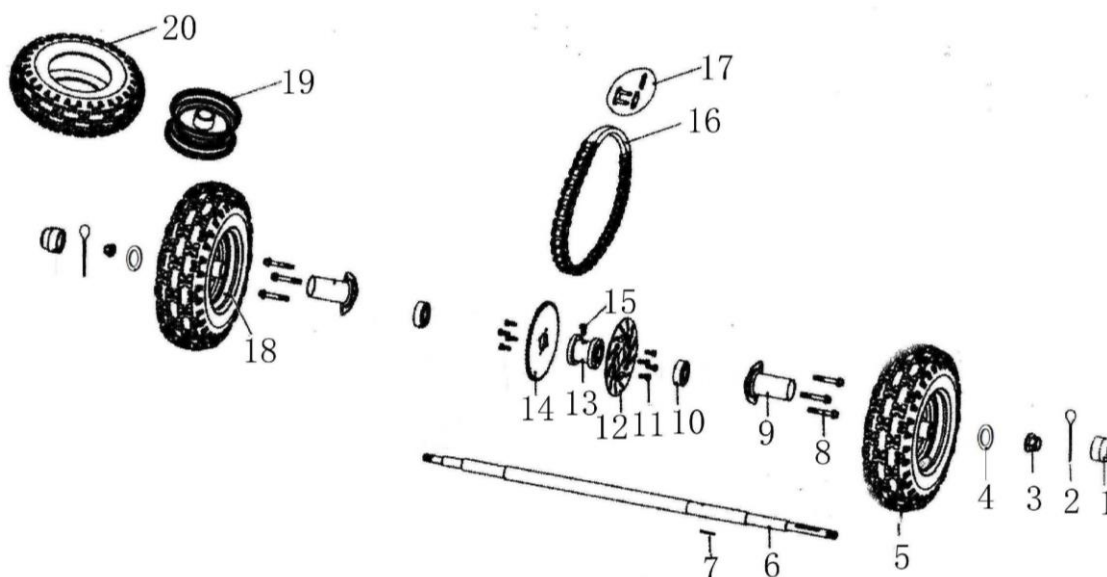


NO.	PART #	DESCRIPTION	QTY.
1	4030019050G000	FUEL TANK COMP.	1
2	6000145080G000	FUEL FILTER CAP COMP.	1
3	57890603210005	FLANGE BOLT, M6x32	4
4	61870600012505	NYLON NUT M6	4
5	6000046250G000	FUEL COCK ASS'Y	1
6	7020029050G000	FUEL TUBE, #2	1
7	6000056250G000	FILTER	1
8	621A0700000000	FUEL TUBE CLIP	4
9	7020030050G000	FUEL TUBE, #1	1
10	5002100050G000	Tubing spring	1
11	61871000012505	LOCKING FLANGE NUT M10X1.25	7
12	61701000012505	NUT M10X1.25	2



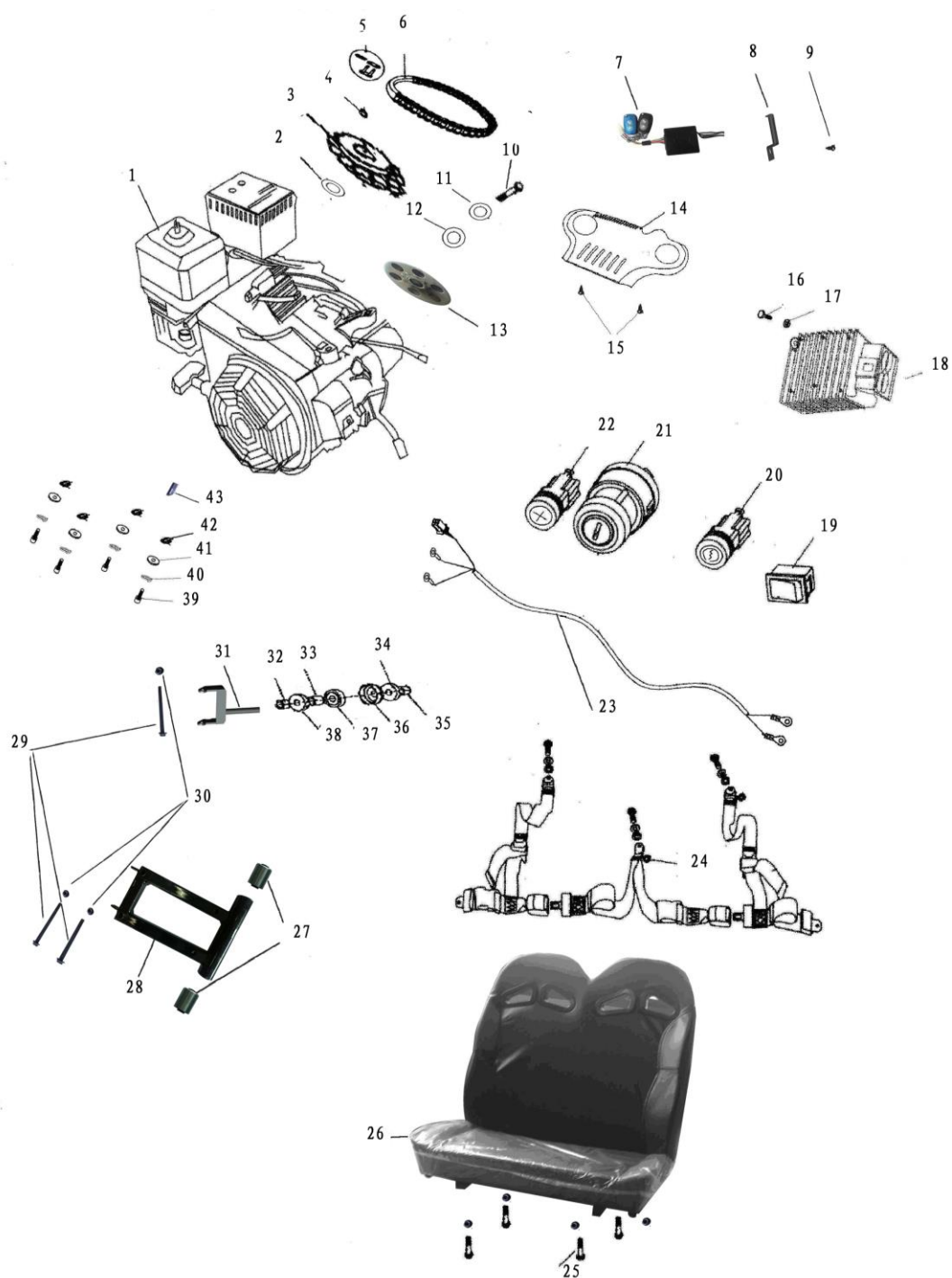
13	7020056050G000	REAR SWING ARM BUSH	2	
14	57851005012505	FLANGE BOLT M10×1.25X50	2	
15	1406020050G0B1	REAR SWING ARM	1	
16	8146066080G000	SPANNER	1	
17	57871018012505	FLANGE BOLT M10×1.25X180	1	
18	70000601610005	ALLEN BOLT M6×16	2	
19	93000600000005	SPRING WASHER φ6	2	
20	7120060050G000	BRAKE PAD SET, RR	1	
21	6000178050G000	CALIPER ASSY. RR	1	
22	6000173050G000	CUSHION ASS'Y. RR	2	
23	57890803012505	FLANGE BOLT M8×30	4	
24	7100002050GH00	FIXER PLASTIC I	1	
25	57810801612505	FLANGE BOLT M8×16	2	
26	94000000600004	SLIM NUT M6	1	
27	7020032250G000	Stopper-rubber	1	
28	1020100050G000	FIXER PLASTIC II	1	
29	8110021050G000	DIRVE COVER PLASTIC	1	
30	57890601210005	FLANGE BOLT M6×12	3	
31	7010028250G000	BATTERY COVER	1	
32	6000085080G000	BATTERY 12V 6.5AH	1	
33	702002050G000	LOWER BATTERY CUSHION	1	
34	7020023250G000	BATTERY STRAP	1	
35	8000001080G003	Reverse mounting bracket 1	1	

FIG 16 REAR HOUSING



NO.	PART #	DESCRIPTION	QTY.
1	7020039250G000	HUB COVER,RR	2
2	GB912503000002	COTTER PIN 2.5*25	2
3	94571400015005	CASTLE NUT M14*1.5	2
4	96001400000005	GB96 WASHER Φ14	2
5	6000170050G000	REAR WHEEL ASSY R.	1
6	14-1101-00-R	REAR AXLE	1
7	8010138050G000	AXLE KEY 5*5*50	3
8	57890801612505	FLANGE BOLT M8 x16	6
9	6000196080G000	AXLE COVER	2
10	6204 2RS	BEARING,6204	2
11	57830601610005	FLANGE BOLT M6x16	8
12	8010098050G000	DISC, BRAKE. RR.	1
13	8010097050G100	REAR AXLE HUB	1
14	8010010050G000	REAR SPROCKET	1
15	9129810050G000	ALLEN HEAD BOLT M8x20	1
16	4200462080G000	DRIVE CHAIN	1
17	6000324080G000	MASTER LINK , 420	1
18	7190018080G000	Air Valve	2
19	6000183050GH00	RIM, RR.	2
20	5400500050G000	TIRE, RR 13 x 5 -6	2

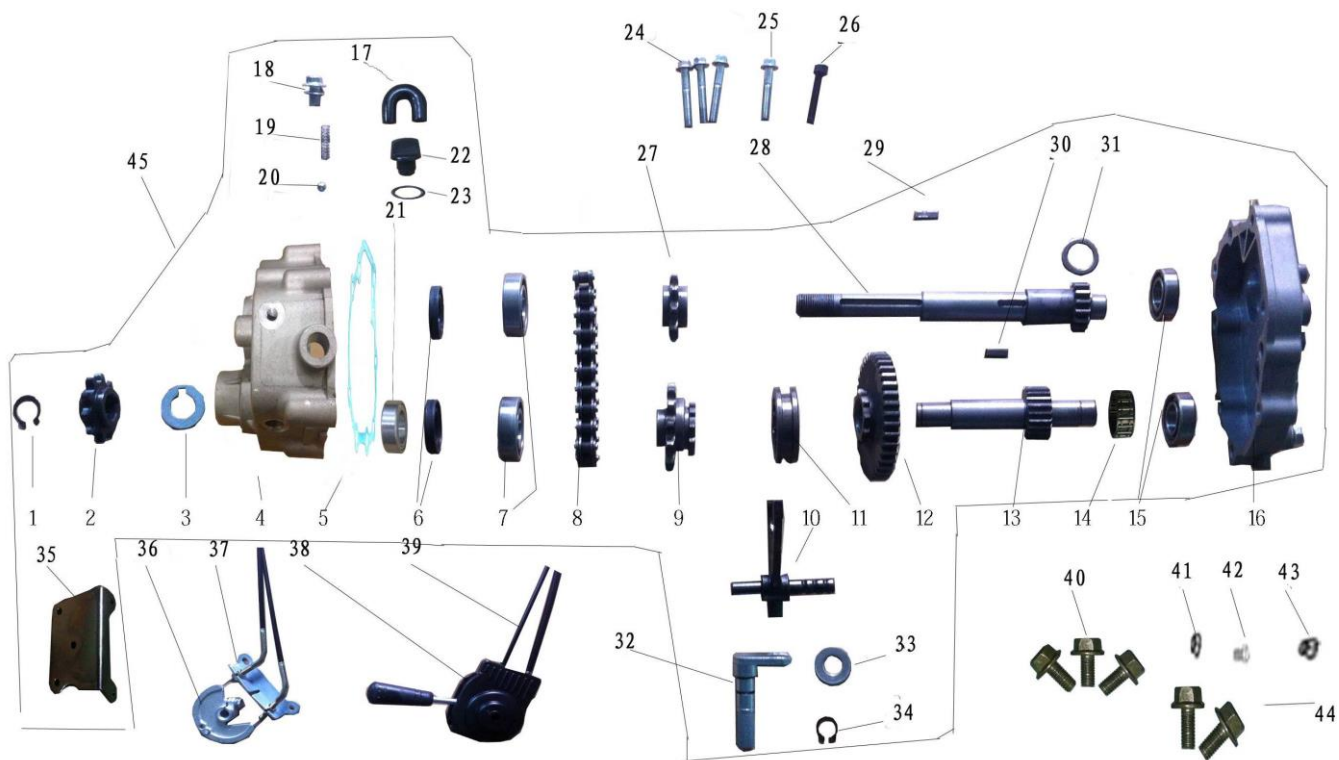
FIG 17 WIRE HARNESS / ELECTRICAL / SEAT



NO.	PART #	DESCRIPTION	QTY.	
1	006-QJ55-00-E	ENGINE COMP.	1	
2	8020235080G000	Rear Clutch washer	1	
3	1010300050G0A0	30 Teeth Sprocket	1	
4	61871600015005	NUT M16X1.5	1	
5	6000324080G00	MASTER LINK	1	
6	1411030050G000	DRIVE CHAIN	1	
7	MINI XRX remote	MINI XRX remote	1	

8	580150050G0000	Alarm mount bracket	1	
9	28234201300005	Self-Tapping Screw 4.2 x 13	1	
10	57830802002801	BOLT M1/4"X28	1	
11	960008000000005	Clutch Washer $\Phi$ 8	1	
12	58002-50A-MINI	Clutch Washer	1	
13	1411020050G000	Clutch	1	
14	7.010.076	SWITCH PANEL COVER	1	
15	28234201300005	Self-Tapping Screw 4.2 x 13	4	
16	61770600010005	NUT M6	1	
17	57890601610005	bolt M6X16	1	
18	6100167080G000	RECTIFIER COMP.REGULATE	1	
19	6000133080G000	HORN BUTTON	1	
20	6000200080G000	ELETRIC STARTER BUTTON	1	
21	6000165080G000	POWER ON SWITCH	1	
22	6000159250G000	ENGINE STOP BUTTON	1	
23	14-0303-00-XRX	WIRE HARNESS	1	
24	6.000.354-mini	SAFETY BELT	1	
25	57890803512505	BOLT M8X35	4	
26	MINI SPORT SEAT W/ TRAIL	MINI SPORT SEAT W/ TRAIL	1	
27	7020077080G000	BUSHING	2	
28	8000001050G001	ENGINE MOUNTING PLATE-METALLIC	1	
29	57890809012505	BOLT M8X90	3	
30	61870800012505	FLANGE LOCKING NUT M8	7	
31	1011000050G000	CHAIN ADJUSTER	1	
32	61701200012505	NUT M12X1.25	1	
33	8010041080G000	BUSHING-CHAIN ADJUSTER	1	
34	8010042250G100	WASHER-CHAIN ADJUSTER	1	
35	61871200012502	NUT M12X1.25	1	
36	8020045080G100	BOTTOM CAP WASHER-CHAIN ADJUSTER	1	
37	7020001080G000	CAP WASHER-CHAIN ADJUSTER	1	
38	8010042250G100	WASHER-CHAIN ADJUSTER	1	
39	57870805512505	BOLT M8X55	4	
40	930008000000005	Spring Washer	4	
41	970008000000005	Flat Washer	4	
42	61870800012505	LOCKING FLANGE NUT M8	4	
43	1411050050G001	Rear Clutch Axle Key	1	

FIG 24: REVERSE GEAR



NO.	PART #	DESCRIPTION	QTY.
1	8941160000003	SNAP RING $\varnothing$ 16	1
2	5400600080L000	10T DRIVEN SPROCKET	1
3	8020235080G000	REAR CLUTCH WASHER	1
4	1000001280G000	REVERSE GEAR BOX LEFT	1
5	1000001180G000	LEFT GASKET	1
6	YF025035075000	OIL SEAL 20X35X7.5	2
7	6004Z000000000	BEARING 6004Z	2
8	420010Z080G000	DRIVE CHAIN,10T,420	1
9	1000001480G000	DRIVE SPROCKET,13T	1
10	1000001680G000	SHIFT FORK	1
11	1000001780G000	SLIDE BUSHING	1
12	1000001980G000	DRIVEN SHAFT	1
13	1000001880G000	DRIVEN GEAR	1
14	K1822160000000	NEEDLE BEARING 18*22*16	1
15	60030000000000	BEARING 6003	2
16	1000001380G000	REVERSE GEAR BOX RIGHT	1
17	1000002880G000	VENT CAP	1

18	57870801212502	BOLT M8*12 W/ WASHER	2
19	1000002080G000	FORK SPRING	1
20	1000002180G000	STEEL BALL ø6	1
21	61804000000000	BEARING 61804	1
22	1000002980G000	SEAL CAP	1
23	1000003080G000	SEAL RING	1
24	57870604012502	BOLT M6*40	3
25	57870603512502	BOLT M6*35	1
26	GB700603512503	SCREW M6*35	1
27	1000001580G000	DRIVE SPROCKET,10T	1
28	1000002250G000	DRIVING SHAFT	1
29	1000002380G000	KEY 5X5X16	1
30	1000002480G000	KEY 5X5X14	1
31	1000002580G000	SPACER ø18* ø25*2	1
32	1000002680G000	GEAR SHAFT	1
33	97000800000002	WASHER ø 12	1
34	89411200000003	SNAP RING ø12	1
35	1000002780G000	BRACKET	1
36	4000200300G200	TURNING WHEEL	1
37	4000100300G200	TURNING WHEEL BRACKET	1
38	4070000300G000	REVERSE GEAR SHIFTER ASSY.	1
39	6013000080G000	REVERSE GEAR WIRE	2
40	57890601210005	BOLT M6*12	3
41	61770600010005	GB6177 NUT M6	2
42	57870802012505	HEXAGON FLANGE BOLTS M8*20	1
43	61870800012505	SELF-LOCKING NUT M8	1
44	57890601610005	BOLT M6*16	2
45	1000001050G000 (MINI Reverse Box)	REVERSE GEARBOX ASSY. (W/ BRACKET & SPROCKET)	1

Fig 19 WARNING STICKERS ASSY



1



2



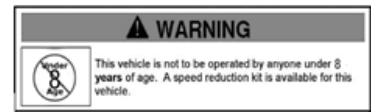
3



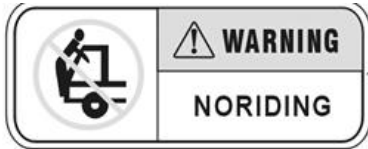
4



5



6



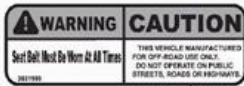
7



8



9



10



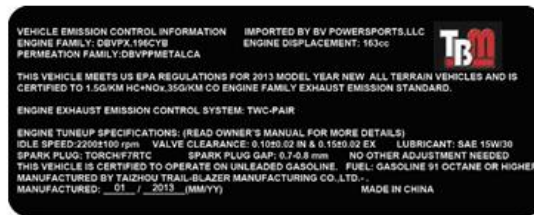
11



12



13



14

NO.	PART #	DESCRIPTION	QTY.
1	9072100080G000	WARNING LABEL 1	1
2	9072100050G000	WARNING LABEL 2	1
3	9072200050G000	WARNING LABEL 3	1
4	9072300050G000	WARNING LABEL 4	1
5	9072400050G000	WARNING LABEL 5	1
6	9072500050G000	WARNING LABEL 6	1
7	9072700050G000	WARNING LABEL 7	1

8	9072900050G000	WARNING LABEL 8	1	
9	9073000050G000	WARNING LABEL 9	1	
10	9073100050G000	WARNING LABEL 10	1	
11	9072000050G0B2	MINI XRX/R STICKER	1	
12	9070100050G0B0	TRAILMASTER LOGO	1	
13	9073100050G000	WARNING LABEL 13	1	
14	9090200050G0D0	EPA LABEL	1	

**Note: part # in red means new parts for MINI XRX/R.**