

# Owner's Manual

---

## Parts Manual

READ THIS MANUAL CAREFULLY  
IT CONTAINS IMPORTANT SAFETY INFORMATION



**This operation manual is made for Go-kart models:**

MINI XRX 、 MINI XRS 、 TBM50A 、 GK50 、 GK163 、  
MINI GK-1 、 MINI GK-2.

Recommended Age:8 years old  
FOR OFF-ROAD USE ONLY



## **BV Powersports, LLC – EMISSION CONTROL SYSTEM WARRANTY**

### **YOUR WARRANTY RIGHTS AND OBLIGATIONS**

---

The California Air Resources Board, the U.S. Environmental Protection Agency, and BV Powersports LLC (hereinafter “distributor”) are pleased to explain the emission control system warranty on your 2011 Off-Road ATV.

New off-road motor vehicles must be designed, built and equipped to meet U.S. EPA Federal and California anti-smog standards. Distributor must warrant the emission control system on your vehicle for 5,000 km, 500 hours of engine operation, or at least 30 months, whichever comes first, provided that there has been no abuse, neglect or improper maintenance of your vehicle. This ATV was designed to meet the emission standards for 10,000 km, 1,000 hours of engine operation, or five years, whichever comes first.

Your emission control system may include parts such as the carburetor or fuel injection system, the ignition system, catalytic converter and engine computer, if it is equipped. Also included may be hoses, belts, connectors and other emission-related assemblies.

This vehicle is warranted, for its emission control devices, for the full useful life of the vehicle. Where a warrantable condition exists, Distributor will repair your vehicle at no cost to you, including diagnosis, parts and labor.

If an emission-related part on your vehicle is defective, the part will be repaired or replaced by distributor. This is your emission control system DEFECTS WARRANTY.

### **OWNER'S WARRANTY RESPONSIBILITIES**

As the vehicle owner, you are responsible for the performance of the required maintenance listed in your owner's manual. Distributor recommends that you retain all receipts covering maintenance on your vehicle, but Distributor cannot deny warranty solely for the lack of receipts or for your failure to ensure the performance of all scheduled maintenance.

You are responsible for presenting your vehicle to the Distributor dealer as soon as a problem exists. The warranty repairs should be completed in a reasonable amount of time, not to exceed 30 days.

As the vehicle owner, you should be aware that Distributor may deny your warranty coverage if your vehicle or a part has failed due to abuse, neglect, improper maintenance or unapproved modifications.

If you use your vehicle in any type of competitive event, this warranty is immediately and completely void.

If you have any questions regarding your warranty rights and responsibilities, you should contact distributor at 2848 Reward, Dallas, TX 75220, the U.S. Environmental Protection Agency, 2000 Traverwood Avenue, Ann Arbor, MI 48105 or, (for California registered off-road vehicles only) the California Air Resources Board at 9528 Telstar Avenue, El Monte, CA 91731.



**BV Powersports, LLC – EMISSION CONTROL SYSTEM WARRANTY**

**YOUR WARRANTY RIGHTS AND OBLIGATIONS**

---

BV Powersports, LLC (hereinafter “Distributor”) warrants that each new 2011 and later Distributor off-road vehicle:

- A. is designed, built and equipped so as to conform at the time of initial retail purchase with all applicable regulations of the United States Environmental Protection Agency, and the California Air Resources Board; and
- B. is free from defects in material and workmanship which cause such vehicle to fail to conform to applicable regulations of the United States Environmental Protection Agency or the California Air Resources Board for the periods specified above.

The warranty period begins on the date the vehicle is delivered to the initial retail purchaser, or on the date the vehicle is first placed in service as a demonstrator, rental, lease prior to retail sale.

**I. Coverage.** Warranty defects shall be remedied during customary business hours at any authorized Distributor dealer located within the United States of America in compliance with the Clean Air Act and applicable regulations of the United States Environmental Protection Agency and the California Air Resources Board. Any part or parts replaced under this warranty shall become the property of Distributor.

**II. Limitations** This Emission Control System Warranty shall not cover any of the following:

- A. Repair or replacement as a result of
  - (1) accident,
  - (2) misuse,
  - (3) repairs improperly performed or replacements improperly installed,
  - (4) use of replacement parts or accessories not conforming to specifications set forth by Distributor, which adversely affect performance and/or
  - (5) use in competitive racing or related events.
- B. Inspections, replacement of parts and other services and adjustments required for required maintenance.
- C. Any vehicle equipped with an odometer or hour meter on which the odometer mileage or hour meter reading has been changed so that actual mileage cannot be readily determined.

**III. Limited Liability**

- A. The liability of Distributor under this Emission Control System Warranty is limited solely to the remedying of defects in material or workmanship by an authorized Distributor dealer at its place of business during customary business hours. This warranty does not cover inconvenience or loss of use of the vehicle or transportation of the vehicle to or from the Distributor or authorized dealer. Distributor shall not be liable for any other expenses, loss or damage, whether direct, incidental, consequential or exemplary arising in connection with the sale or use of or inability to use the distributor vehicle for any purpose. Some states do not allow the exclusion or limitation of any incidental or consequential damages, so the above limitations may not apply to you.

**BV Powersports, LLC – EMISSION CONTROL SYSTEM WARRANTY**

**YOUR WARRANTY RIGHTS AND OBLIGATIONS**

---

- B. No express emission control system warranty is given by Distributor, except as specifically set forth herein. Any emission control system warranty implied by law, including any warranty of merchantability or fitness for a particular purpose, is limited to the express emission control system warranty terms stated in this warranty. The foregoing statements of warranty are exclusive and in lieu of all other remedies. Some states do not allow limitations on how long an implied warranty lasts, so the above limitations may not apply to you.

**IV. LEGAL RIGHTS.** This warranty gives you specific legal rights, and you may also have other rights which vary from state to state.

**V. ADDITIONAL INFORMATION.** Any replacement part that is equivalent in performance and durability may be used in the performance of any maintenance or repairs. However, distributor is not liable for these parts. The owner is responsible for the performance of all required maintenance. Such maintenance may be performed at a service establishment or by any individual.

This warranty is in addition to the Distributor limited vehicle warranty.

No dealer is authorized to modify this Limited Emission Control System Warranty issued by Distributor.

**OWNER'S MANUAL**

1.FOREWORD ..... 1

2.SAFETY ..... 2

3.READY TO DRIVE ..... 7

4.IS YOUR VEHICLE READY TO DRIVE? ..... 9

5.SPECIFICATIONS ..... 10

6.OPERATION ..... 12

7.ADJUSTING THE THROTTLE AND BRAKE CABLES ..... 14

8.REPAIR ..... 15

9.PERIODICAL CHECK AND SERVICES ..... 16

10.WIRING DIAGRAM ..... 17

**PARTS MANUAL**

1.FIG 168 GASOLINE ENGINE ..... 18

2.FRAME GROUP ..... 26

3.STEERING SHAFT ASSY ..... 28

4.SUSPENSION ARM ASSY ..... 30

5.REAR SWING ARM ..... 32

6.REAR HOUSING ..... 34

7.WIRE HARNESS/ELECTRICAL/SEAT ..... 36

8.WARNING STICKERS ..... 38

Thank you for purchasing our Go-Kart .We hope you will enjoy it. Before you start to operate the Go-kart , please read through this Owner's Manual carefully as it contains important safety and maintenance information. Failure to follow the warnings contained in this manual can result in serious injuries .

Be sure to follow the recommended maintenance schedule and service your Go-kart accordingly. Preventive maintenance is extremely important to the longevity of your Go-kart.

Beginners should seek instruction from your dealer or qualified instructors before and during initial use of the Go-kart. It is also recommended to practice in a large open area to familiarize yourself with operations of this Go-kart.

We hope you will have a pleasant experience with our products and thank you again for choosing our Go-kart.



## 2.1 Notes to Parents

We know that you, as parent, will have your youngster's safety foremost in mind. Serious injury can result from the improper use of kart. Your youngster's safety will depend on you taking a "safety first" approach to kart driving at all times. It's important to carefully read and follow the instructions and warnings contained in this manual and on the labels pasted on the kart.

Once your youngster is ready to learn to drive, you must be familiar with this kart. You will be serving as teacher, coach, and safety supervisor for your youngster. You must know the controls, handling characteristics, maintenance requirements, and proper driving techniques. Read and understand this manual, and labels attached with this vehicle. Make sure that the kart to be driven is one that is recommended for use by your youngster's age group. You should supervise your youngster's operation of this kart at all times and should permit continual use only if you determine your youngster's ability and judgement to operate this kart securely.

Teaching your youngster kart safety is a step-by-step process. It begins with safety rules and moves to actual driving procedures. Since youngsters learn at different rates, it's up to you to set the pace of your youngster's progress. At some point you may decide that he or she is not ready to drive the kart.

Always closely supervise your youngster's driving; this is true even if your youngster has learned and mastered the rules and skills of safe kart driving. Youngsters get tired and become careless easily. They do not always see everything that is important around them. Your close supervision and good judgement are a must.

Show your youngster how to use each control as you describe its action. Refer to this manual to learn control location and function before instructing your youngster. Test yourself by operating the controls. Have your youngster dress in proper protective gear and sit in the machine as you point out each control. It is important to have your youngster wear protective gear whenever sitting in this kart.

## 2.2 SAFETY INTRODUCTION


In order to keep everyone safe, you must take responsibility for the safe operation of your kart.

To help you make informed decisions about safety, we have provided operating procedures and other information on labels and in this manual. This information alerts you to potential hazards that could hurt you or others.

It is not practical or possible to warn you about all hazards associated with operating or maintaining a kart. You must use your own good judgment.

You will find important safety information in a variety of forms, including:

**Safety labels** - On the kart.

**Safety Messages** - Preceded by a safety alert symbol  and one of two signal

Words: **WARNING** or **CAUTION**.

These signal words mean:

Physical harm may result from failure to adhere to the instructions that are described within the WARNING labels.



Safety Headings such as Important Safety Reminders or Important Safety Precautions.

Safety Section-such as safety.

Instructions-how to use this kart correctly and safely

This entire manual is filled with important safety information-please read it all carefully.

## 2.3 PROTECTIVE GEAR

To Parents: kart driving demands that your youngster wear proper protective gear. Kart drivers should always wear a helmet, eye protection, gloves, long pants, a long-sleeved shirt or jacket, and over-the-ankle boots. Anything less is not adequate protection. Never let anyone drive a kart without an approved motorcycle helmet. Be sure it fits correctly. It should be snug but not tight. It must be properly fastened. Have your youngster wear safety gear whenever getting in a kart. This action will stress the importance of safety gear and help to develop safe driving habits.

## 2.4 SAFETY INTRODUCTION

There is much that you can do to protect yourself while operating your kart. You will find many helpful recommendations throughout this manual. The following are a few that we consider to be the most important.

### Follow the Age Recommendation

The kart should not be driven by anyone under the age of 8.

### Always Wear a Helmet

It's a proven fact: helmets significantly reduce the number and severity of head injuries. Always wear an approved motorcycle helmet. We also recommend that you wear eye protection, sturdy boots, gloves, and other protective gear.

### Drive Off-Road Only

Your kart is designed and manufactured for off-road use only. The tires are not made for use on pavements, and the kart does not have turn signals and other features required for use on public roads. If you need to cross a paved or public road, get off and walk your kart across.

### Do not operate this kart at night

Dark vision can greatly reduce driver's visibility and judgment. So driving at night is dangerous and can increase the possibility for an accident.

### Never run your kart indoors

The exhaust from the engine contains a tasteless, odorless and poisonous gas called carbon



monoxide.

**Keep away from moving parts of the kart**

The operator of the kart should never place their hands or other parts of their body near moving part of the kart. Failure to adhere to this warning will cause physical harm to your body.

**Skidding or sliding**

The terrain surface can be a major factor affecting turns. Skidding in a turn is more likely to occur on slippery surfaces such as snow, ice, mud and loose gravel. If you skid on ice, you may lose all directional control. To avoid skidding on slippery terrain, keep you speed low and drive carefully

**Hold on to the wheel**

Driving without holding on to the steering wheel is very hazardous.

Always drive it at a safe speed, depending on the situation.

Driving down a slope too fast may result in the kart overturning

A wet road prolongs the stopping distance of your vehicle. Therefore always take care that you only drive at a speed at which you are able to stop in time.

Going downhill a considerable speed may be achieved, requiring a longer break path.

Taking sharp bends at a high speed also may cause the kart to overturning

**2.5 SAFETY LABELS**

This section presents some of the most important information and recommendations to help you drive your kart safely. Please take a few moments to these pages.

The labels should be considered permanent parts of the kart. If a label comes off or becomes hard to read, contact your dealer for a replacement.



**2.6 SAFE DRIVING PRECAUTION**

**Off Road Use Only**

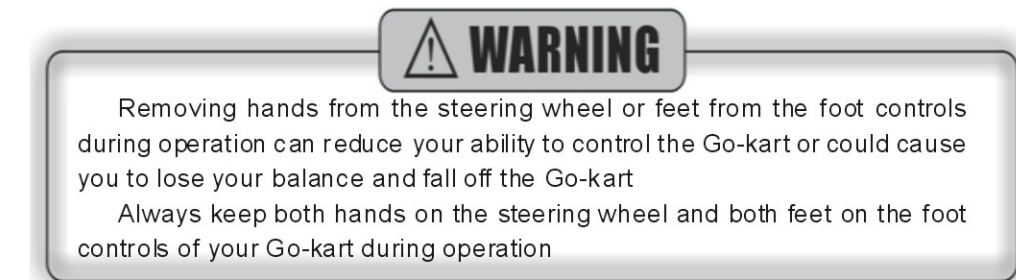
The kart and its tires are designed and manufactured for off-road use only, not for pavement. Driving on pavement can affect handling and control. Your youngster should not drive the kart on pavement.



When driving off-road, also remember to always obey local off-road driving laws and regulations. Obtain permission to drive on private property. Avoid posted areas and obey “no trespassing” signs.

**Keep Hands and Feet on Controls**

When driving your kart, always keep both hands on the steering wheel and both feet on the foot controls, It is important to maintain your balance and to control the kart Removing hands or feet away from the controls can reduce your ability to react and control the kart.



**Hot components**

Show your youngster the engine, exhaust pipe, and muffler tell him or her not to touch these parts because they are hot while the engine is running. Explain that they will remain hot after the engine is stopped. Also explain that hands and feet must be kept away from moving parts of kart

**Inspection**

Your youngster's safety depends in part on the condition of the kart. Be sure to inspect it before each use. Starting and refuel of the vehicle should be done by responsible adults only. Follow a regular maintenance program.

**Adult supervision**

Even after young drivers have learned the basic driving skills, direct supervision by an experienced adult is necessary at all times. make sure that all kart users under you supervision get proper driving instructions. Follow safety precautions strictly to provide a “safty first” approach to kart driving. Teaching your youngster how to drive kart safety will increase the enjoyment of kart driving.



**Control Speed**

Driving at excessive speed increases the chances of an accident. In choosing an appropriate speed, you need to consider the capability of your kart, the terrain, visibility and other operating conditions, plus your own skill and experience.

**WARNING**

Operating this Go-kart excessive speed increases your chances of losing control of the Go-kart, which can result in an accident. Always drive at a speed that is appropriate for your Go-kart, the terrain, visibility and other operating conditions, and your experience.

**Use KART on Unfamiliar or Rough Terrain**

Before letting your youngster drive in a new area, always check the terrain thoroughly. Don't let them drive fast on unfamiliar terrain or when visibility is limited (with out for obstructions like hidden rocks, bumps, or holes).

**WARNING**

Failure to use extra care when operating this Go-kart on unfamiliar terrain could result in the Go-kart overturning or going out of control. Go slowly and be extra careful when operating on unfamiliar terrain. Always be alert to changing terrain conditions when operating the Go-kart.

Never let your youngster drive past the limit of visibility. Maintain a safe distance between their kart and other off-road vehicles. Always exercise caution and use extra care on rough, slippery and loose terrain.

**WARNING**

Failure to use extra care when operating on excessively rough, slippery or loose terrain could cause traction or vehicle control which could result in an accident, including an overturn. Do not operate on excessively rough, slippery or loose terrain until you have learned and practiced it necessary to control the Go-kart on such terrain. Always be especially cautious on these kinds for

**Do not Perform Stunts**

Your youngster should always operate their kart in a safe and reasonable manner. When driving, they should always keep all four wheels on the Ground.

**WARNING**

Attempting wheelies, jumps, and other stunts increases the chance of an accident, including an overturn. Never attempt stunts, such as wheelies or jumps. Don't try to show off.

**Before the kart is driven for the first time, we urge you to:**

Read this owner's manual and the labels on your kart carefully.

Make sure you understand all the safety messages.

Know how to operate all the controls and that your youngster has been taught and understands how to operate all the controls.

Before each drive, be sure your youngster:

feel well and is in good physical and mental condition.

is wearing an approved motorcycle helmet (with chin strap tightened securely), eye protection, and other protective clothing.

don't have any alcohol or drugs in your system.

Wear their seat belt at all the times while driving the kart

**WARNING**

Operating this Go-kart without wearing an approved motorcycle helmet, eye protection, and protective clothing could increase your chances of head and/or eye injury, and the possibility of death in the event of a severe accident. Always wear an approved motorcycle helmet fits properly and wear eye protection (goggles or face shield), gloves, boots, long-sleeved shirt or jacket and pants.

To parents: additional signs of physical readiness can be observed in your youngster's other play activities. In general, a youngster should be well-coordinated and have good balance. This coordination can be demonstrated by the abilities such as using a skipping, jumping rope, skates, a skateboard, riding a bicycle, etc. if a youngster cannot perform well in these types of activities, more physical development is required.

**WARNING**

Operating this Go-kart with no seat belt could cause you to be thrown from the vehicle

To parents: one indicator that youngsters are ready to drive a kart is when they show a safety-conscious attitude and are aware of the dangers of kart operation.

If the youngster has a habit of rashness or is involved in accidents often while using a bicycle or skateboard, the youngster is not ready to drive this kart.

**A: following questions can help PARENTS further pinpoint whether youngster is ready to drive:**

- 1、 can youngster place his or her feet firmly, easily on the foot pedal?
- 2、 Can youngster's hands reach the steering wheel comfortably? Can your youngster operate the



steering wheel?

- 3、 Can your youngster push the foot pedal brake downward with enough strength?
- 4、 Does your youngster understand the controls of the kart?

**REA- DRIVE INSPECTION(TO Parents)**

Before you continue:

- 1、 Have you determined your youngster's readiness to drive this kart? Do not let your youngster drive if you have any doubt.
- 2、 Have you read this manual and reviewed it with your youngster?
- 3、 Have you inspected the vehicle and maintained it according to this manual?
- 4、 Is your youngster wearing the proper protective gear?
- 5、 Has your youngster learned to locate the kart controls without help? Does he or she know how to operate them smoothly?
- 6、 Does your youngster understand he or she must always drive off-road?
- 7、 Have you stressed to your youngster the importance of keeping his or her feet on the foot pedals and their hands on the steering wheel.

**B. Practicing area(to parents)**

The best place for learning is a level area 100'x200' that is free from obstacles such as rocks, stumps, or holes. The learning area may have a loose or hard dirt surface. A grassy surface is also acceptable. It should not have two different surfaces. Be sure there is enough room to maneuver, and that no other drivers are close by.

**C. Getting used to the vehicle in motion(to parents)**

Getting the feel on foot pedal brake: be sure your youngster is wearing all of the proper protective gear. With the engine still OFF, have your youngster go inside kart. If you physically can, push the vehicle slowly. Have your youngster brake to feel how much pressure is needed for a smooth stop. Practice this several times until you are sure this skill is developed. Remind your youngster to keep his or her head up and look forward and to keep both feet on foot pedals.

Getting the feel on the foot pedal throttle control: with the engine off , have your youngster practice smoothly moving the foot pedal throttle control. Your youngster will learn how much pressure it takes to start moving in a later exercise.

Explain that pushing the throttle will increase speed. Releasing the throttle and applying the brake will slow kart down .ask your youngster to tell you how throttle control and applying the braking affect kart's speed.

Getting the feel on turning: first with kart stopped and engine OFF, look in the direction of the turn, turn steering wheel in the direction of the turn ,repeat this exercise while you are slowly pushing your youngster on kart. Make sure he or she can turn the vehicle in both directions using this technique.

This vehicle is configured with remote engine stop switch. This allows the supervisor to follow close behind and stop the engine.

The may continue to roll for some distance. Watch the distance must be included in the stopping

space of Go-kart and that this distance may increase with speed.

**Pre-drive Inspection**

Check the following items before you get on the GO-kart:

**Engine oil**

Check the level and add oil if needed. Check for leaks

**Fuel**

Check the level and fuel if needed. Also make sure the fuel fill cap is securely fastened check for leaks

**Tires**

Use a gauge to check the air pressure. Adjust if needed. Also look for signs of damages or excessive wear.

**Nuts & Bolts**

Check the wheel to see that the axle nuts tight. Use a wrench to make sure all accessible nuts, bolts, and fasteners are tight.

**Seat belt**

Make sure seat belt is fastened and locking latch is working.



**DIMENSIONS**

Overall Length ..... 58.5 in (1485mm)  
 Overall Width ..... 36.2 in(914mm)  
 Overall Height ..... 43.3 in(1092mm)  
 Wheelbase ..... 41.7 in(1060mm)  
 Front Track ..... 32 in(812mm)  
 Rear Track ..... 27.9 in(711mm)  
 Ground Clearance ..... 3.5 in(90mm)

**ENGINE**

Type ..... Single , Forced air-cooled. 4-Stroke  
 Bore/Stroke ..... 2.7 in X 1.8 in(68mmX45mm)  
 Displacement ..... 163cc  
 Corrected Compression ratio ..... 8.5:1  
 Carburetor ..... RX  
 Output Power ..... 5.5H.P/3600rpm  
 Maximum Torque ..... 8.0ft-lbs/5500rpm  
 Starting ..... pull  
 Ignition ..... C.D.I  
 Lubrication ..... Force & Splash  
 Transmission ..... Automatic  
 Spark plug ..... F7RTC(TORCH)  
 Plug lug ..... 0.7~0.8mm  
 Fuel Type ..... RQ90(unleaded)  
 Lubricate oil ..... SAE10W-30

**CAPACITIES**

Maximum load ..... Double Seats/ 400 Lbs  
 Fuel tank ..... 1.2L

Engine oil ..... 3Oz  
 Starting ..... < 5s  
 Brake Track ..... < 7m@10miles/h  
 Top speed ..... 12.4miles/h(or limited as customers require)

**CHASSIS**

Rear brake ..... disc  
 Front tire ..... 4.10-6  
 Rear tire ..... 13\*5.0-6  
 Front Suspension ..... Independent Dual A-Arm  
 Rear Suspension ..... Swing Arm/ Double Oil Damped Shocks  
 Restraint System ..... Dual 2-point harness

**TIRE PRESSURE**

Front ..... 7~9psi  
 Rear ..... 7~9psi

**WEIGHT**

Net Weight ..... 176LBS(76Kg)  
 Gross Weight ..... 209LBS(91Kg)

**PACKING DIMENSIONS**

Dimension ..... 59X31.5X20.5 in(1500x800x520mm)  
 Loading quantity ..... 115pcs/1x40'HQ

**A. Operation controls**

Warning: Don't attempt to operate the engine until completely familiar with the location and use of each control necessary to operate this vehicle. You youngster must know how to stop this machine before starting and driving it.

**a. Throttle**

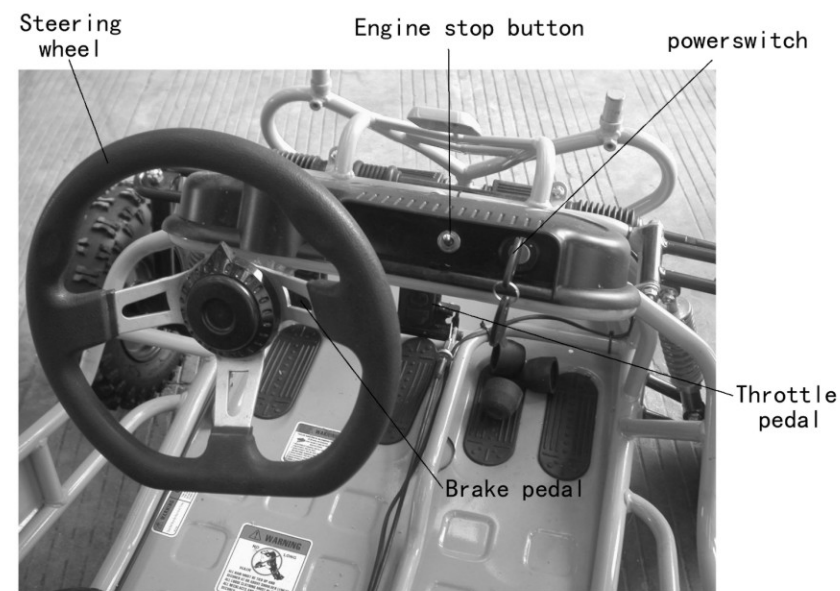
The right foot pedal is the throttle that controls the go-kart speed. As the engine speed increased above idle, the clutch automatically engages and moves the vehicle forward. To disengage the clutch at any time, allow the throttle to return to the idle position.(see Fig. 1)

**! WARNING**


Each time prior to starting engine, check the throttle assembly to ensure that when the pedal is pushed all the way forward the assembly is working smoothly and returns to idle when released. Do not operate if pedal or engine throttle linkage fail to return to idle. If unable to correct the problem through lubrication, adjustment or replacement of worn parts, contact your dealer for assistance

**b. Brake**

The brake is located on the left side of the go-kart. Applying pressure to the pedal draws the brake caliper around the brake disc at the rear wheel and slowly stops the go-kart.



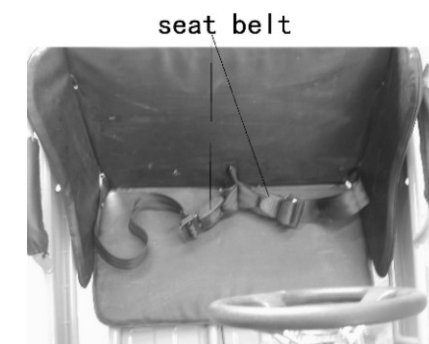
**c. Start the engine in three ways:**

You can start the engine by turning on the key switch from dash board . Plugin in the key  and turn to the right. Engine stop switch to “ON” , And then by pull start.

**NOTE: Make sure your key is turned to the running position.**

**d.. Engine stop switch**

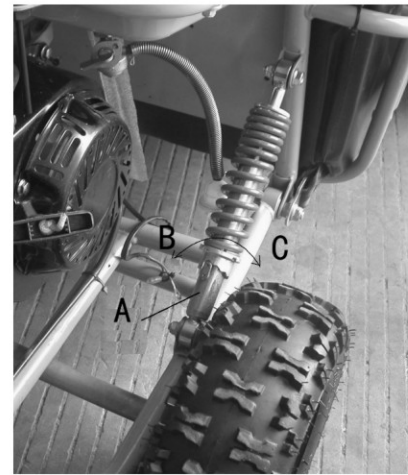
To stop the engine , switch off the engine stop switch , and hold turn the ignition key to the “OFF” position and remove the key





**Adjustment the Shock spring**

To change the setting of the shocks from hard to soft is easy, you will need to get a wrench at your local hardware store. Take your wrench and on the shock marked(A) you will see notches made for the wrench to hold on to. By turning the wrench left or right like (B) or (C) you can adjust the shock setting as you wish. Adjust the spring all the way to the left will give you a harder ride. If you wish to soften the ride then go all the way to right. Your kart has been fitted with two front shocks and two rear shocks so that you may tune your kart ride to best suit your riding comfort.



**Adjusting the throttle and brake cable**

To adjust the throttle cable or the brake cable on your kart you need to first untighten the nut marked(A) and (B). Once you have done this, pull back on the cable housing marked(C) to pull out the cable. Tighten nuts(B) and (A) to secure the slack in position. Try the pedals and make sure you are getting a good pulling from the cable it self. Once you are satisfied with the adjustment, secure all nuts to complete the adjustment.



**Adjusting the foot pedals**

This kart has been made with foot pedals that can be moved so your child can grow with the kart. First remove the bolts(A) and (D) in figure 6 and 7. once you have done this, you are able to move the cable holder and the pedal rod with the pedals together. The 1 or 2 hole is for the pedal rod alternative positions, (B) or (C) hole is for the cable holder. There is only one bolt that holds the pedal rod in place. On the brake pedal side there is a slot for the pedal rod to fit into, once you have picked out the holes for setting, just slide the pedal rod and cable holder together and repeat the same steps to fasten all bolts and nuts. Remember not to take pedals off the rod. By doing so your spring can become loose. Make sure after you have done the adjustment, the pedals are working and will return to its original position.



**Front Wheel Alignment**

a. The front wheels should toe-in from 1/8 to 1/4 inch. To check for alignment, measure distance A and B between the centerline (CL) of the wheels. The proper toe-in dimension A should be 1/8 to 1/4 inch greater than dimension B.

b. To adjust the alignments, loosen the lock nuts on both sides of Front Tie Rods.

To make Dimension B smaller, turn the rod to left. Adjust the rod to right direction to make Dimension B larger. After adjusting to the desired length, tighten the lock nut against the rod end. Recheck the dimension for proper alignment.



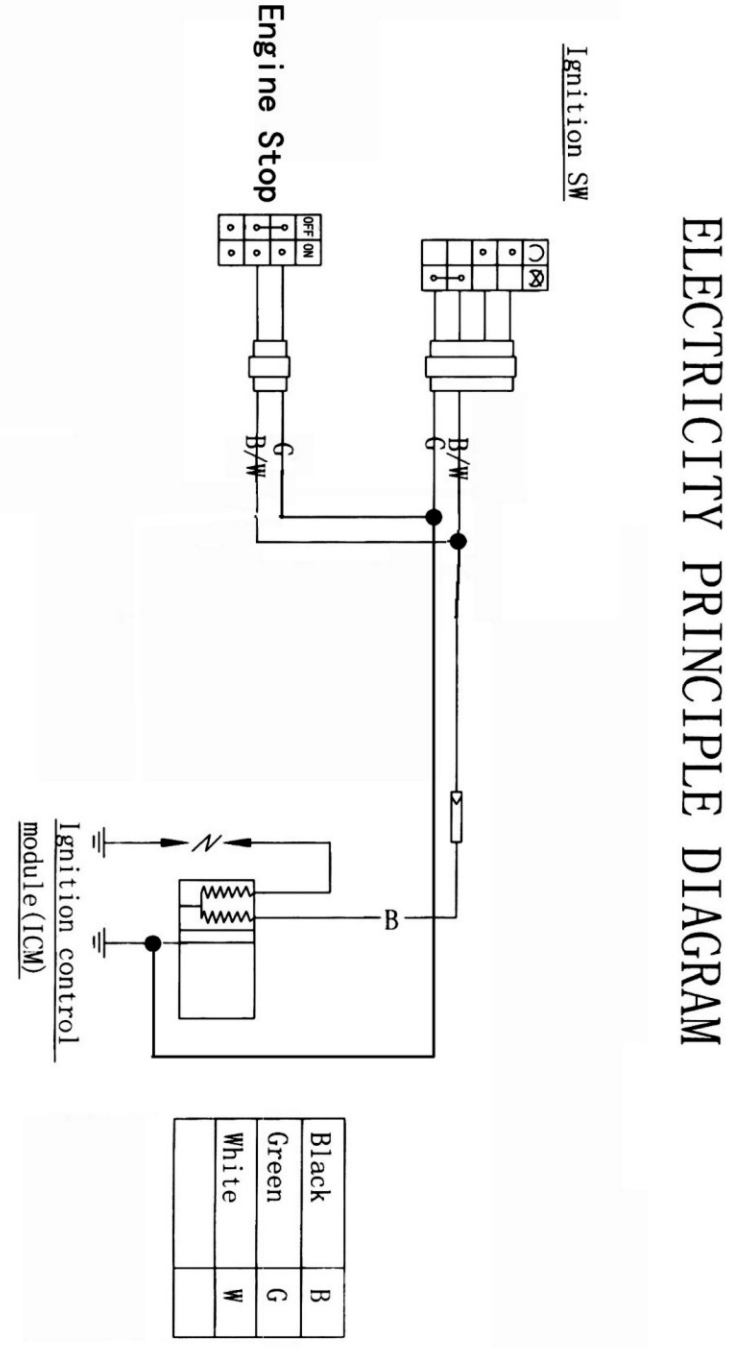
To keep the performance good, the motorcycle should be checked and maintained at certain interval. The meanings of capital in following table are:

I: Inspection, including check, clean, lubricate, refuel, repair or replacing if necessary.

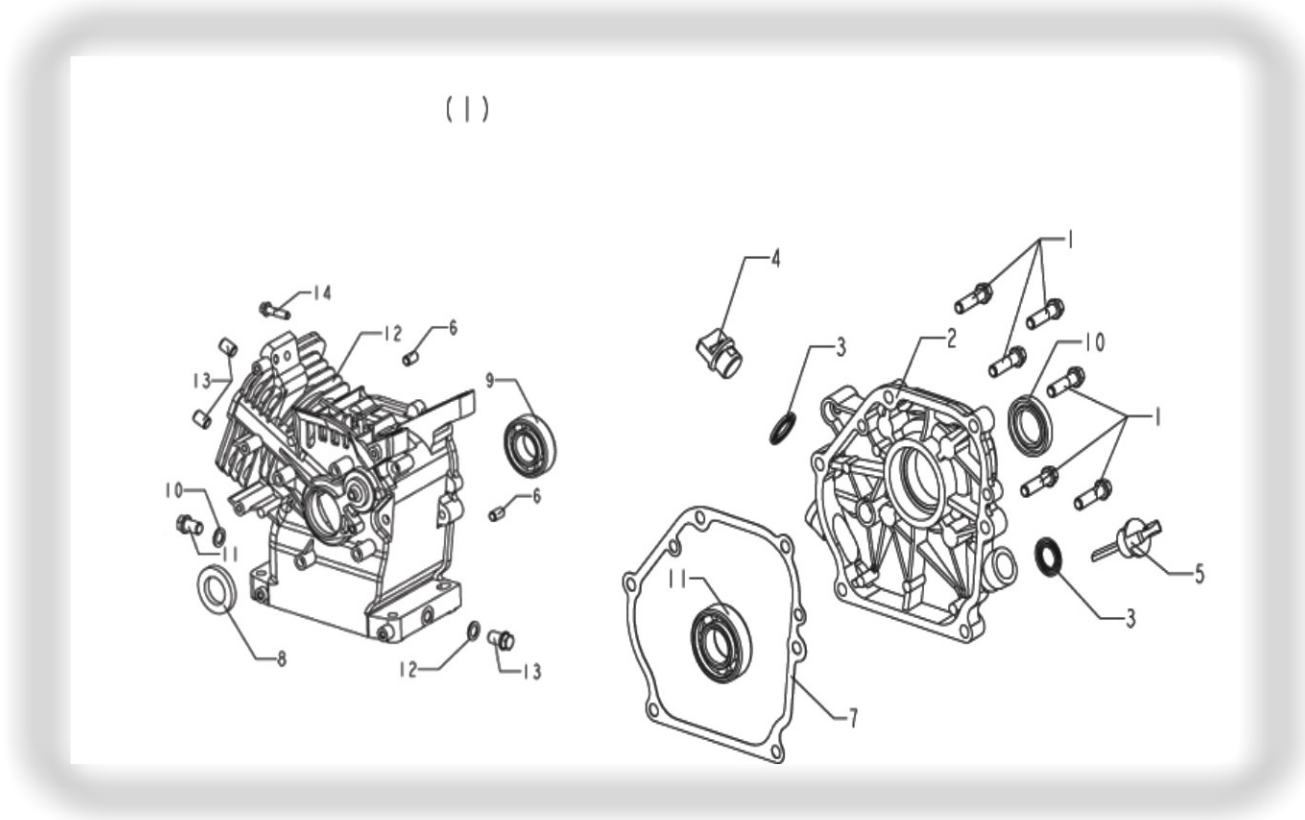
A: Adjusting C: Cleaning R: Replacing T: Tightening

Maintenance period Items	Odometer (km)													
	300	1000	2000	3000	4000	5000	6000	7000	8000	9000	10000	11000	12000	Everyday check before riding
Engine oil	R	R		R	R			R			R		R	I
Air filter														Clean filter every 2000~3000 km. change it when necessary
Spark plug														Initial 1000km and Clean every 3000~4000km change it when necessary
Valve gap		A		A	A				A				A	
Carburetor	I			I,C	I,C				I,C				I,C	
Gas filter								R						
Brake system		I	I	I	I	I	I	I	I	I	I	I	I	I
Driving chain		I							I					I
Fasteners		T				T				T				
Battery											I			

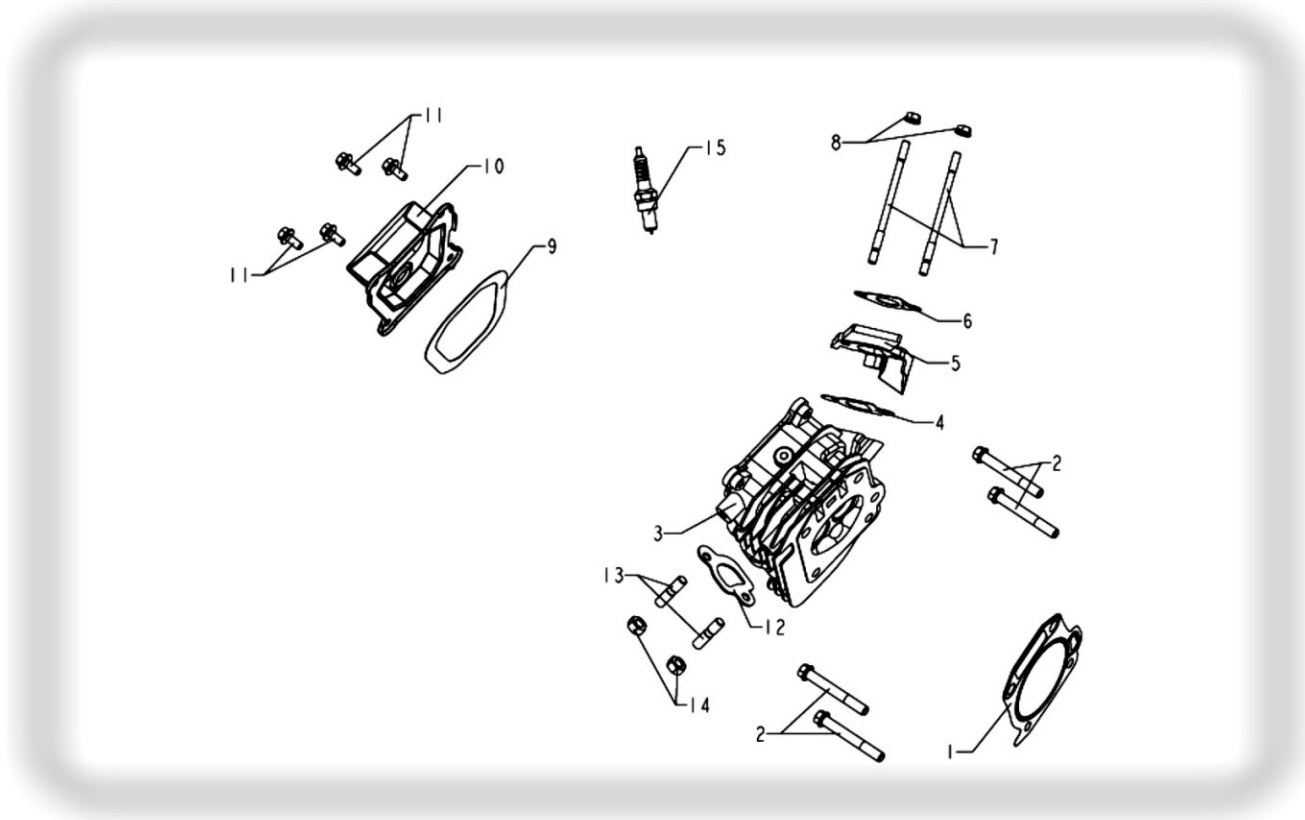
\* When the mileage is over the highest on the table, please perform according to the period set on the table  
 \* Driving on dust place, it is recommended to clean it frequently.



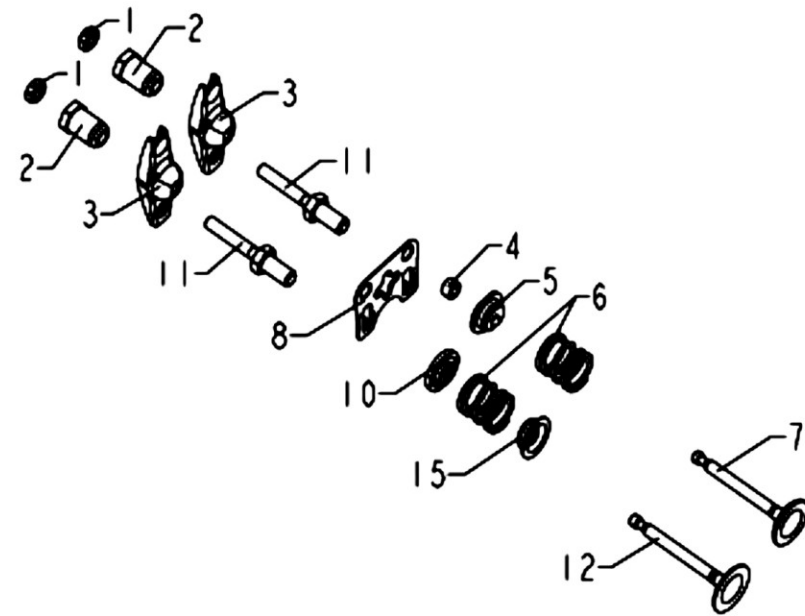




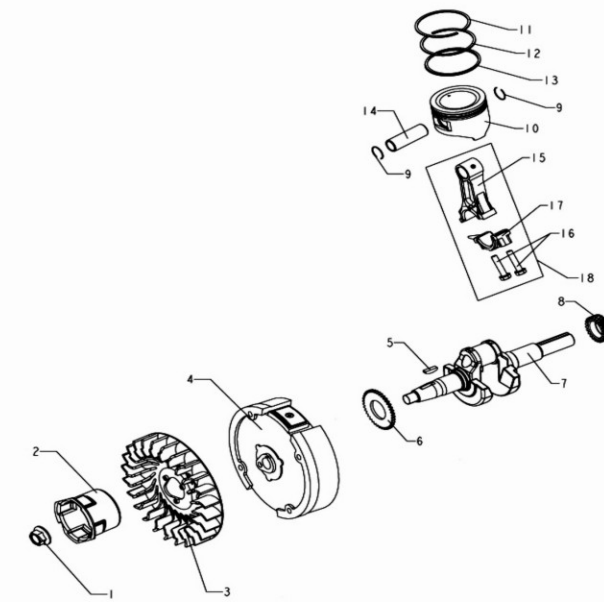
REF NO.	PART NO.	DESCRIPTION	Qty.
(1)	26001K07F000	CRANKCASE ASSY	1
1	B01070803264	Bolt M8X30	6
2	14132K07F000	Cover,Crankcase	1
3	26132K07F000	Waasher,Seal	2
4	14216K07F000	Guage,Engine Oil	1
5	26131K07F000	Cover,Supply Oil Mouth	1
6	26218J01F000	Guide,Dowel	2
7	26201K07F000	Spacer,Crankcase	1
8	26133K07F000	Oilseal Assy	2
9	B12016600553	Bearing	2
10	26204L01F000	Spacer,Drain Plug	2
11	26202L01F000	Drain Plug	1
12	26001K07F000	Crankcase Assy	1
13	B01090602564	Bolt M6X25	1
14	26208J01F000	Guide,Dowel	2



REF NO.	PART NO.	DESCRIPTION	Qty.
(2)	30500K14F000	CYLINDER HEAD ASSY	1
1	30707K07F000	Spacer Assy,Cylinder Head	1
2	B01070806064	Bolt M8X60,Cylinder Head	4
3	30730K07F000	Cylinder Head	1
4	30715K07F001	Spacer 1	1
5	30516K07F000	Mattress,Heat Insulating	1
6	30715K07F000	Spacer 2	1
7	30520K07F000	Bolt,Intake Pipe	2
8	B04070610064	Nut M6	2
9	30702K07F000	Spacer,Seal	1
10	168020010700	Clipboard	1
11	B01090601464	Bolt M6X14	4
12	36101K07F000	Spacer,Exhaust Pipe	1
13	30521K07F000	Bolt,Exhaust Pipe	2
14	B04000812564	Nut M8	2
15	30506G15F910	Spark Plug	1

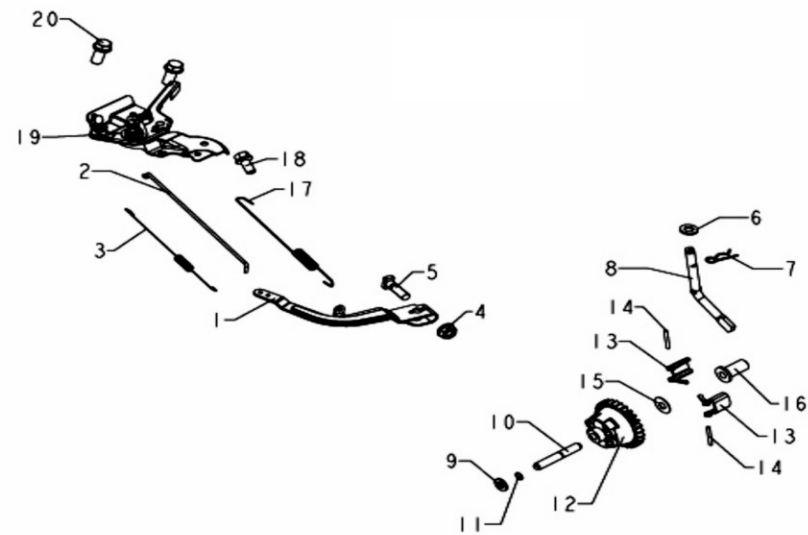


REF NO.	PART NO.	DESCRIPTION	Qty.
(3)	27000K07F000	INTAKE EXHAUST MECHANISM ASSY	1
1	30302L01F000	Adjusting? Nut, Valve Clearance	1
2	30313Q01F000	Buttonhead, Arm	4
3	30301K07F000	Arm	1
4	30214K07F000	Cap, Exhaust Door Rod	1
5	30203K07F000	Upper Retainer, Exhaust Door Spring	1
6	30101K07F930	Spring, Valve	1
7	30201K07F000	Valve, Exhaust	2
8	30231K07F000	Guide Plate, Connecting Stud	2
9	30230K07F000	Rod, Connecting	1
10	30106K07F000	Upper Retainer, Intake Door Spring	1
11	30303Q01F930	Adjusting Stud, Valve Clearance	4
12	30103K07F000	Valve, Intake	1
13	30312K07F000	Stud, Connecting	2
14	30400K07F000	Camshaft	2
15	30104K07F000	Oilseal, Valve	1

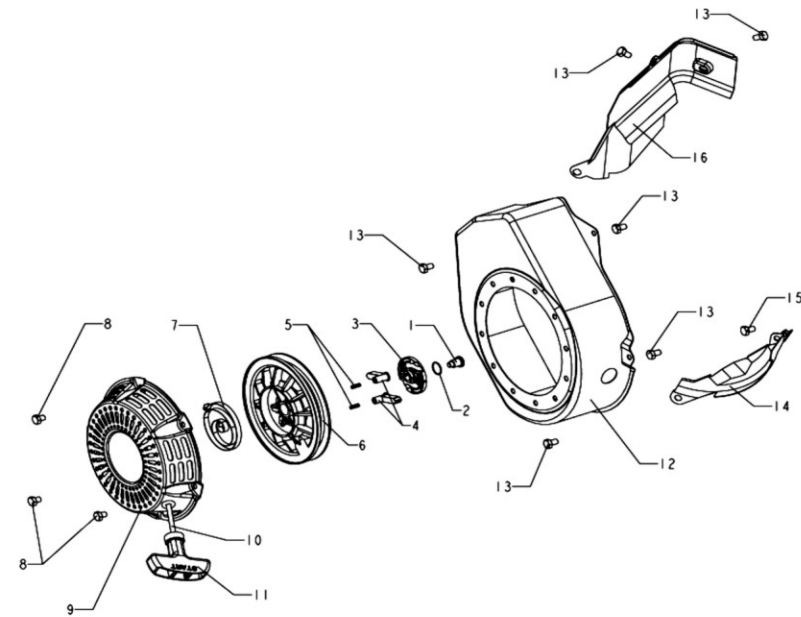


REF NO.	PART NO.	DESCRIPTION	Qty.
(4)	15000K07F000	BRANCE FLYING WHEEL	1
1	15230K07F000	Nut, Clamp	1
2	17403K07F000	Ratchet Wheel	1
3	34381K07F000	Fan	1
4	34309K07F000	Flying Wheel	1
5	15116Q01F000	Key	1
6	15250K07F000	Driven Gear, Adjusting	1
7	168QDJ04-07C	Branche	1
8	15232K07F000	Gear, Crankshaft Timing	1
9	15106K07F000	Circlip, Piston Pin	2
10	15100K07F000	Piston	1
11	15103K07F000	Ring, First	1
12	15104K07F000	Ring, Second	1
13	15300K07F000	Oil Ring Assy	1
14	15105K07FF10	Pin, piston	1
15	15131K07F000	Rod, Connecting	1
16	15133L01F000	Bolt, Connecting Rod	2
17	15132K07F000	Cover, Connecting Rod	1
18	15130K07F000	Connecting Rod Assy	1

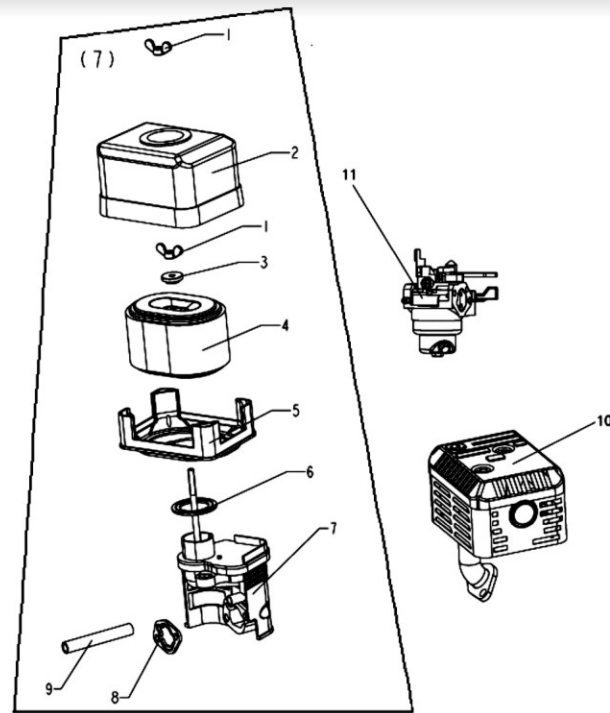




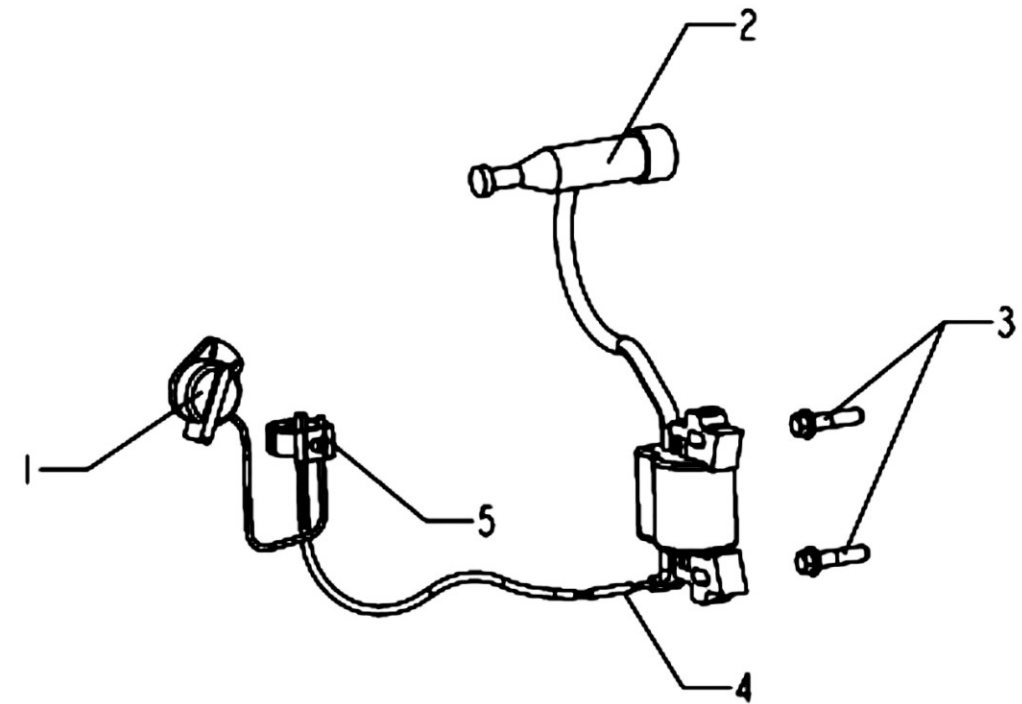
REF NO.	PART NO.	DESCRIPTION	Qty.
(5)		CENTRIFUGAL ADJUSTMENT ASSY	1
1	17581K07F000	Arm	1
2	17594K07F000	Rod Tension	1
3	17593K07F000	Spring 2,Tension	1
4	B04070610064	Nut M6	1
5	17589Q01F920	Bolt,Square	1
6	17585K07F000	Spacer 2	1
7	17590Q01F000	Circlip	1
8	17582K07F000	Fork	1
9	17584L01F000	Spacer 1	1
10	17627K07F000	Pin	1
11	26146L01F000	Circlip	1
12	17587K07F000	Adjustment,Centrifugal	1
13	17588K07F000	Block,Centrifugal	2
14	17591K07F000	Pin	2
15	17586K07F000	Spacer 3	1
16	17583K07F000	Cover,Push Rod	1
17	168FJH7.03-01	Spring 1,Tension	1
18	B01090601064	Bolt M6X10	2
19	17550K42F000	Handle Assy	1
20	B01090602064	Bolt M6X25	1



REF NO.	PART NO.	DESCRIPTION	Qty.
(6)	17150K07F000	STARTING SETS	1
1	17180K07F000	Screw	1
2	17156K07F000	Circlip	1
3	17157K07F000	Plate Guide	1
4	17158K07F000	Block Clutch	2
5	17162K07F000	Spring,Pressure	2
6	17155K07F000	Table,Rotary	1
7	17152K07F000	Spring,Turbination	1
8	B01090608064	Bolt M6X8	3
9	17170K07F000	Cover,Starting	1
10	17160K07F000	Rope,Strating	1
11	17159K07F000	Handle	1
12	17187K07F000	Cowling	1
13	B01090601064	Bolt M6X10	6
14	17176K07F000	Plate 1 Driversion	1
15	B01090601464	Bolt M6X14	1
16	17178K07F001	Plate 2 Driversion	1



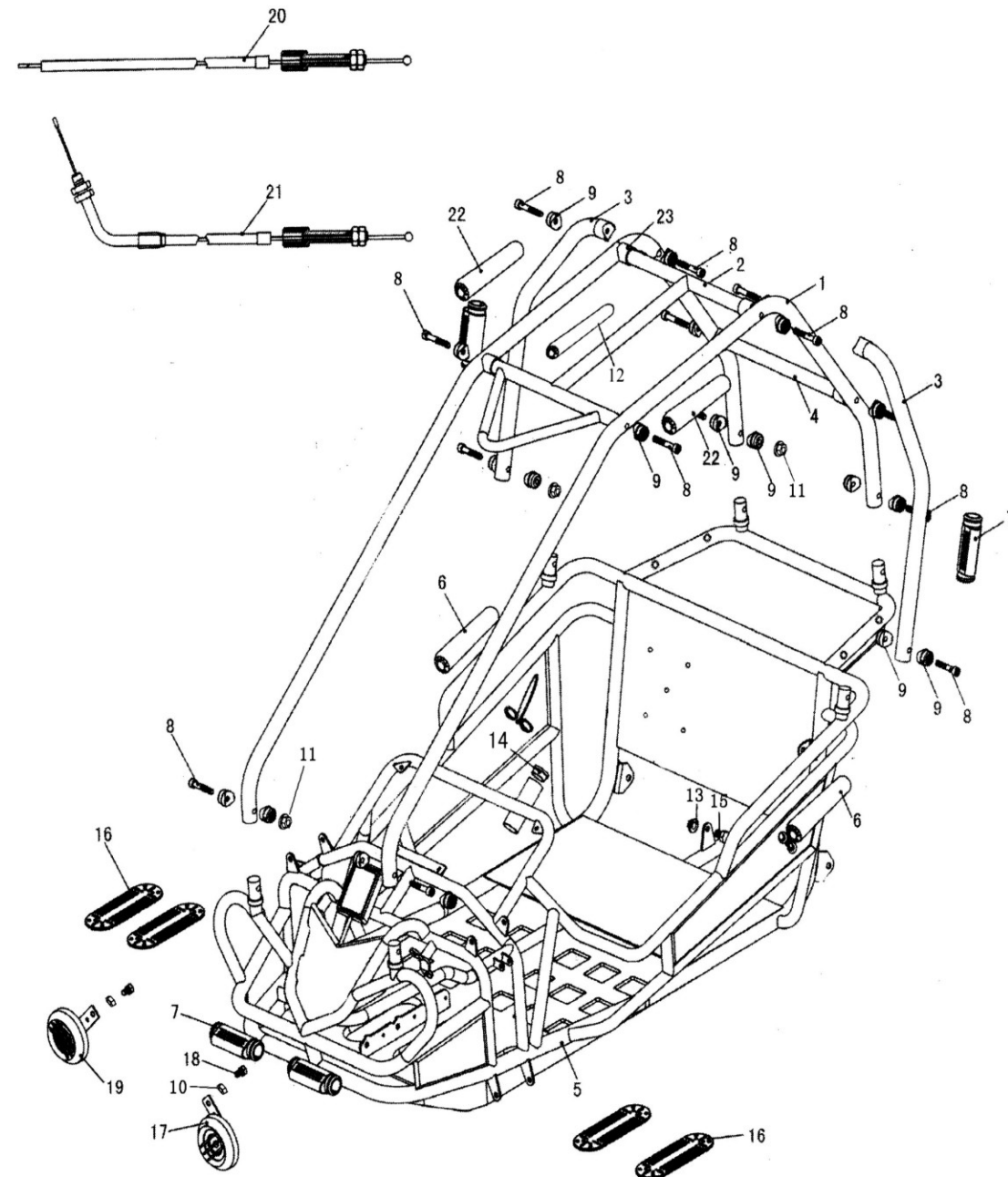
REF NO.	PART NO.	DESCRIPTION	Qty.
(7)	168QDJ.07B	AIR CLEANER ASSY	1
1	B04030600040	Nut M6	2
2	168QDJ.07-04B	Cover,Filtering	1
3	168030100100	Seal	1
4	168030010900	Core,Filtering	1
5	168032270300	Bracket,Filtering	1
6	168030100200	Seal	1
7	168QDJ.07.01	Cover,Upper Body	1
8	37113K07F000	Seal,Air Cleaner	1
9	26400K07F000	Colloid Pipe	1
10	36000K07F000	MUFFLER ASSY	1
11	32500K07F000	CARBURETOR ASSY	1



REF NO.	PART NO.	DESCRIPTION	Qty.
(8)	168FJH-3.08	Switch Assy,Ignition	1
1	34500K14F000	Switch Assy,Engine stop	1
2	34350K07F000	Winding Assy	1
3	B01090602563	Bolt M6X25	2
4	34361K42F000	Connecting Wire Assy	1
5	17558K14F000	Clip	1

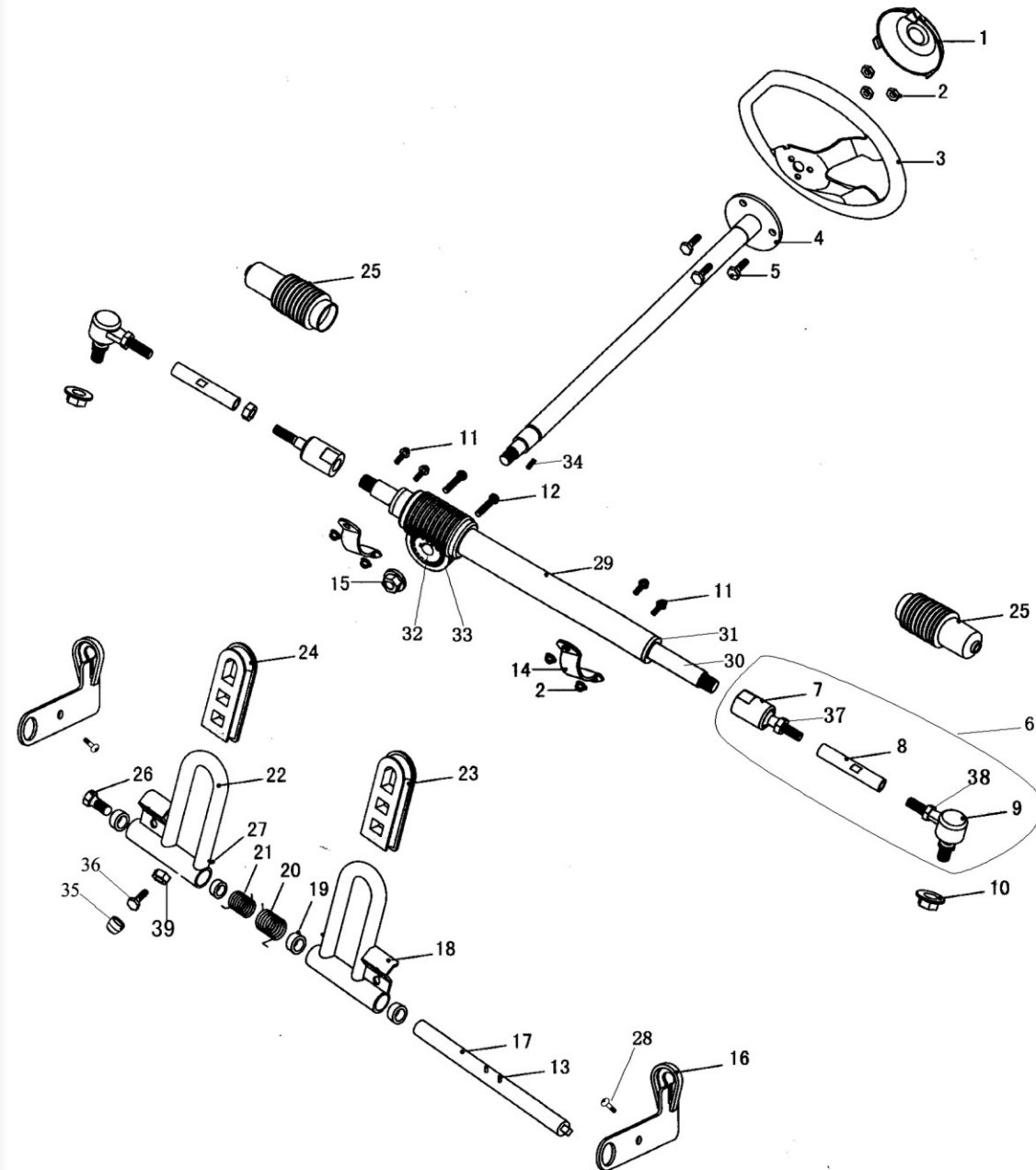


FRAME GROUP



REF NO.	PART NO.	DESCRIPTION	Qty.
12-1	8.070.045-BK	CUSTOM BAR CAGE. Black	2
12-2	6.000.194-BK	CUSTOM CROSS BAR TOP, FR. Black	1
12-3	8.070.046-BK	CUSTOM J-BAR, L.R. SIDE Black	2
12-4	8.080.041-BK	CUSTOM CROSS BAR, RR. Black	1
12-5	2.000.037	FRAME COMP. (R.S.Y, P)	1
12-6	6.000.189	FOAM PADDING —22	2
12-7	7.020.048	RUBBER PROTECTOR	4
12-8	9.129.845	ALLEN HEAD BOLT M8×1.25×45	14
12-9	7.010.049	R-WASHER	20
12-10	9.200.008	NUT M8X1.25	2
12-11	9.220.008	NUT M8X1.25	6
12-12	6.000.191	FOAM PADDING	1
12-13	9.220.010	LOCKING FLANGE NUT, M10	1
12-14	7.010.006	STEERING SHAFT BUSH	1
12-15	9.110.016	ALLEN HEAD BOLT M10×1.25×16	1
12-16	7.020.045	RUBBER FOOT PLATE	4
12-17	6.000.135	HORN, H	1
12-18	9.129.816	FLANGE BOLT M8×1.25×16	2
12-19	6.000.136	HORN, L	1
12-20	6.030.132	THROTTLE CABLE COMP.	1
12-21	6.000.133	BRAKE CABLE COMP.	1
12-22	6.000.190	FOAM PADDING —30	2
12-23	7.010.045	CUSTOM BAR CAGE CAP	8

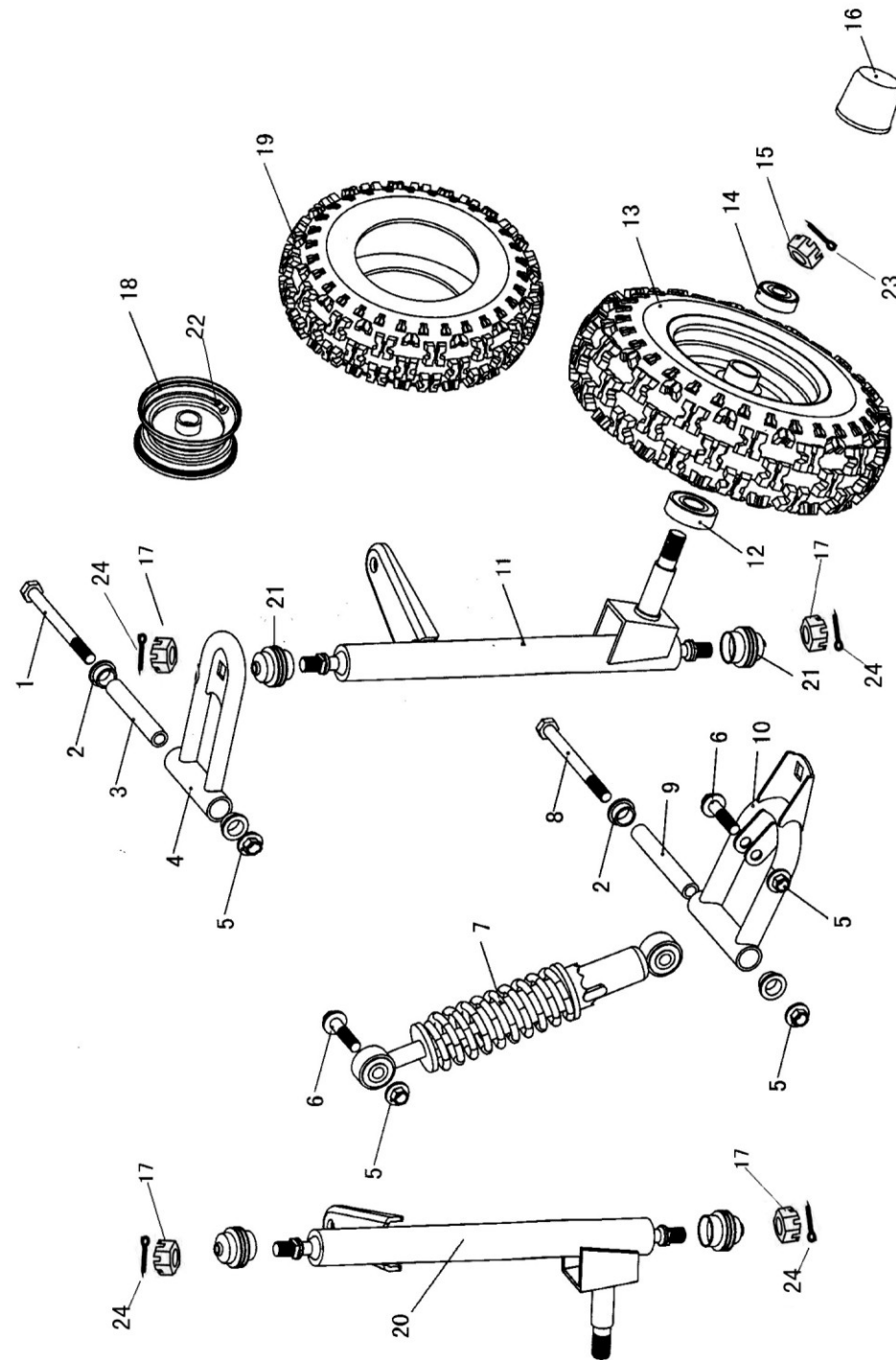
STEERING SHAFT ASSY.



REF NO.	PART NO.	DESCRIPTION	Qty.
13-1	7.010.056	STEERING BOLT COVER	1
13-2	9.210.006	LOCKING NYLON NUT M6	7
13-3	7.020.057	STEERING WHEEL	1
13-4	4.000.023	STEERING SHAFT	1
13-5	9.100.616	BOLT, M6×16	3
13-6	14-1000-00	TIE ROD ASSY	2
13-7	6.000.180	STEERING BALL JOINT	2
13-8	8.010.135	TIE ROD	2
13-9	6.000.181	ROD END	2
13-10	9.210.008	LOCKING NYLON NUT M8	2
13-11	9.106.020	FLANGE BOLT, M6×20	4
13-12	9.100.512	BOLT, M5×12	2
13-13	9.500.008	ROLL PIN Φ3×20	2
13-14	8.020.130	STEERING GEAR BRACKET.	2
13-15	9.220.010	LOCKING NUT M10	1
13-16	8.020.144	PEDAL BRACKET	2
13-17	8.010.103	PEDAL BOLT	1
13-18	4.000.025	BRAKE PEDAL COMP.	1
13-19	7.010.003	PEDAL BUSH	4
13-20	8.040.011	BRAKE PEDAL RETURN SPRING, R	1
13-21	8.040.010	THROTTLE PEDAL RETURN SPRING, L	1
13-22	4.000.026	THROTTLE PEDAL COMP.	1
13-23	7.020.043	BRAKE PEDAL PAD	1
13-24	7.020.044	THROTTLE PEDAL PAD	1
13-25	7.020.059	STEERING BALL JOINT DUST COVER	2
13-26	9.129.816	ALLEN HEAD BOLT M8×1.25×16	1
13-27	9.500.007	ROLL PIN M3×16	2
13-28	9.100.512	BOLT, M5×12	2
13-29	4.000.024	Steering Gear	1
13-34		key 4x4x12	1
13-35	14-0502-00	Rubber Food Pedal Stop	1
13-36	9.129.850	Alen Bolt M8x50	1
13-39	6.034.096		1

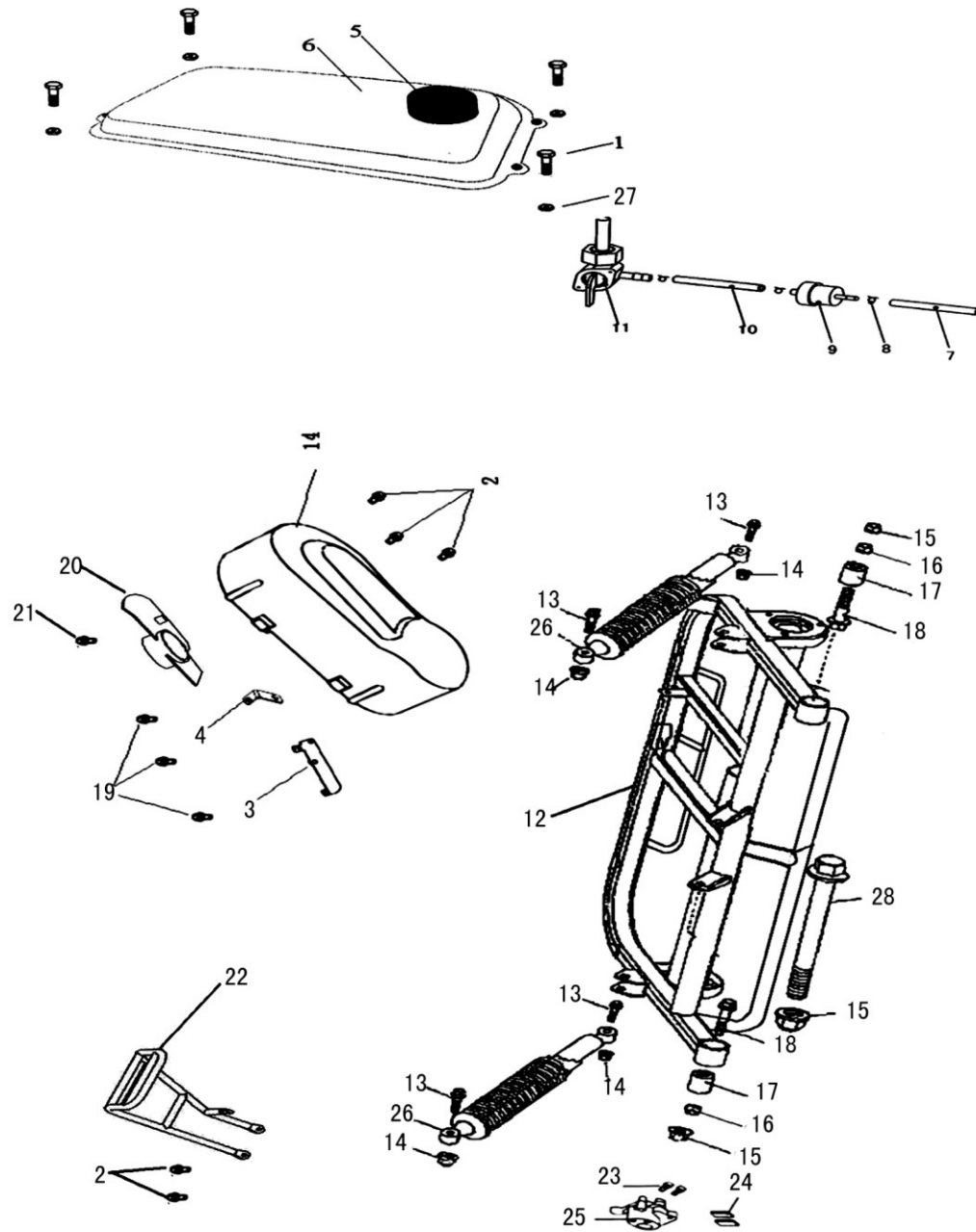


SUSPENSION ARM ASSY.



REF NO.	PART NO.	DESCRIPTION	Qty.
14-1	9.108.095	FLANGE BOLT M8x1.25x95	2
14-2	7.010.003	UPPER SUSPENSION ARM BUSH.	8
14-3	8.010.104	UPPER SUSPENSION ARM COLLAR.	2
14-4	4.000.020	UPPER SUSPENSION ARM	2
14-5	9.320.008	LOCKING FLANGE NYLON NUT M8	8
14-6	9.108.030	FLANGE BOLT M8x1.25x30	4
14-7	6.000.172	CUSHION ASS'Y. FR.	2
14-8	9.108.105	FLANGE BOLT M8x1.25x105	2
14-9	8.010.015	LOWER SUSPENSION ARM COLLAR.	2
14-10	4.000.021	LOWER SUSPENSION ARM ASS'Y.	2
14-11	2.000.031	SPINDLE AND STRUT SUPPORT, R	1
14-12	9.030.010	BEARING 6202	2
14-13	6.100.169-BK	FRONT WHEEL ASSY.	2
14-14	9.030.009	BEARING 6201	2
14-15	9.800.012	NUT M12	2
14-16	7.020.039	HUB COVER. FR.	2
14-17	9.800.010	NUT M10	4
14-18	6.000.182-BK	RIM, FR	2
14-19	001-133506-00	TIRE, FR 13x3.5-6	2
14-20	2.000.032	SPINDLE AND STRUT SUPPORT, L	1
14-21	7.020.061	BALL HEAD DUST SEAL	4
14-22	7.190.018	Air Valve	2
14-23	005-2530-00	COTTER PIN $\Phi$ 2.5X30	2
14-24	005-2025-00	COTTER PIN $\Phi$ 2X25	4

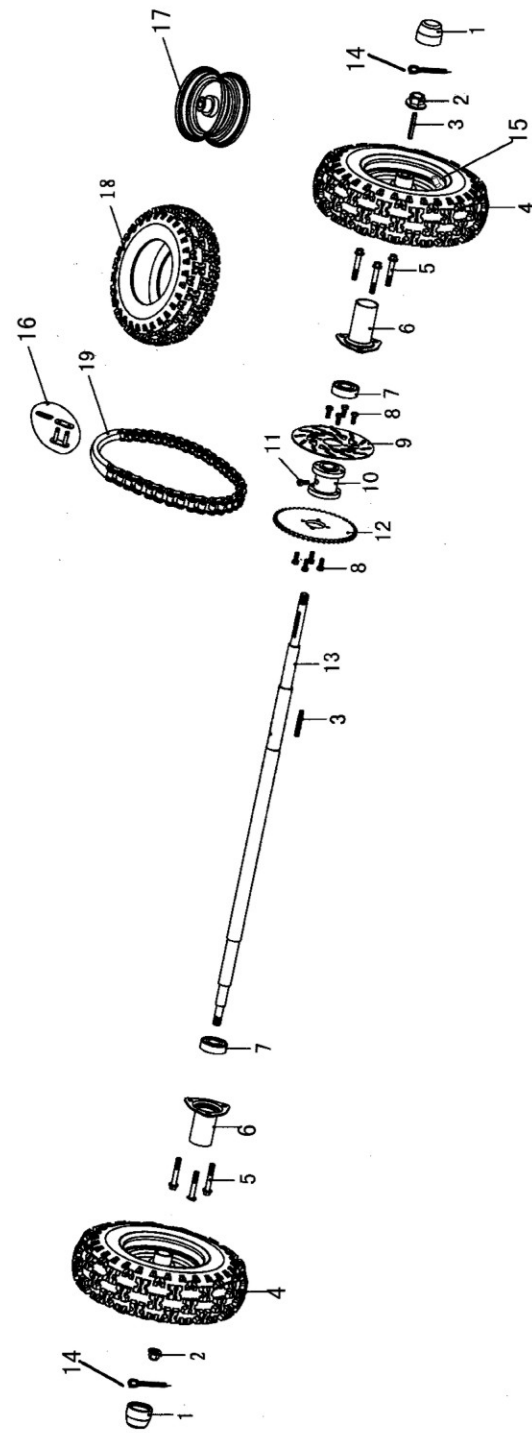
REAR SWING ARM



REF NO.	PART NO.	DESCRIPTION	Qty.
15-1	9.106.032	FLANGE BOLT, M6×32	4
15-2	9.106.012	FLANGE BOLT M6×12	5
15-3	7.100.002	FIXER PLASTIC II	1
15-4	7.100.001	FIXER PLASTIC I	1
15-5	6.000.145	FUEL FILTER CAP COMP.	1
15-6	4.030.019	FUEL TANK COMP.	1
15-7	7.020.030	FUEL TUBE, #1	1
15-8	8.040.009	FUEL TUBE CLIP	4
15-9	6.000.056	FILTER	1
15-10	7.020.029	FUEL TUBE, #2	1
15-11	6.000.166	FUEL COCK ASS'Y	1
15-12	14-0602-00	REAR SWING ARM	1
15-13	9.108.030	FLANGE BOLT M8×1.25-30	4
15-14	9.320.008	LOCKING FLANGE NYLON NUT M8	4
15-15	9.220.010	LOCKING FLANGE NUT M10X1.25	3
15-16	9.200.010	NUT M10X1.25	2
15-17	7.020.056	REAR SWING ARM BUSH	2
15-18	9.110.050	FLANGE BOLT M10×1.25X50	2
15-19	9.108.016	FLANGE BOLT M8×16	3
15-20	14-0207-00	Plastic Chain Guard 2	1
15-21	003-050030-00	BOLT M5X30	1
15-22	14-0603-00	Exhaust Guard, Stand	1
15-23	9.129.616	ALLEN BOLT M6×16	2
15-24	7.120.060	BRAKE PAD SET, RR	1
15-25	6.000.178	CALIPER ASSY. RR	1
15-26	6.000.173	CUSHION ASS'Y. RR	2
15-27	9.210.006	NYLON NUT M6	4
15-28	9.110.180	FLANGE BOLT M10×1.25X180	1

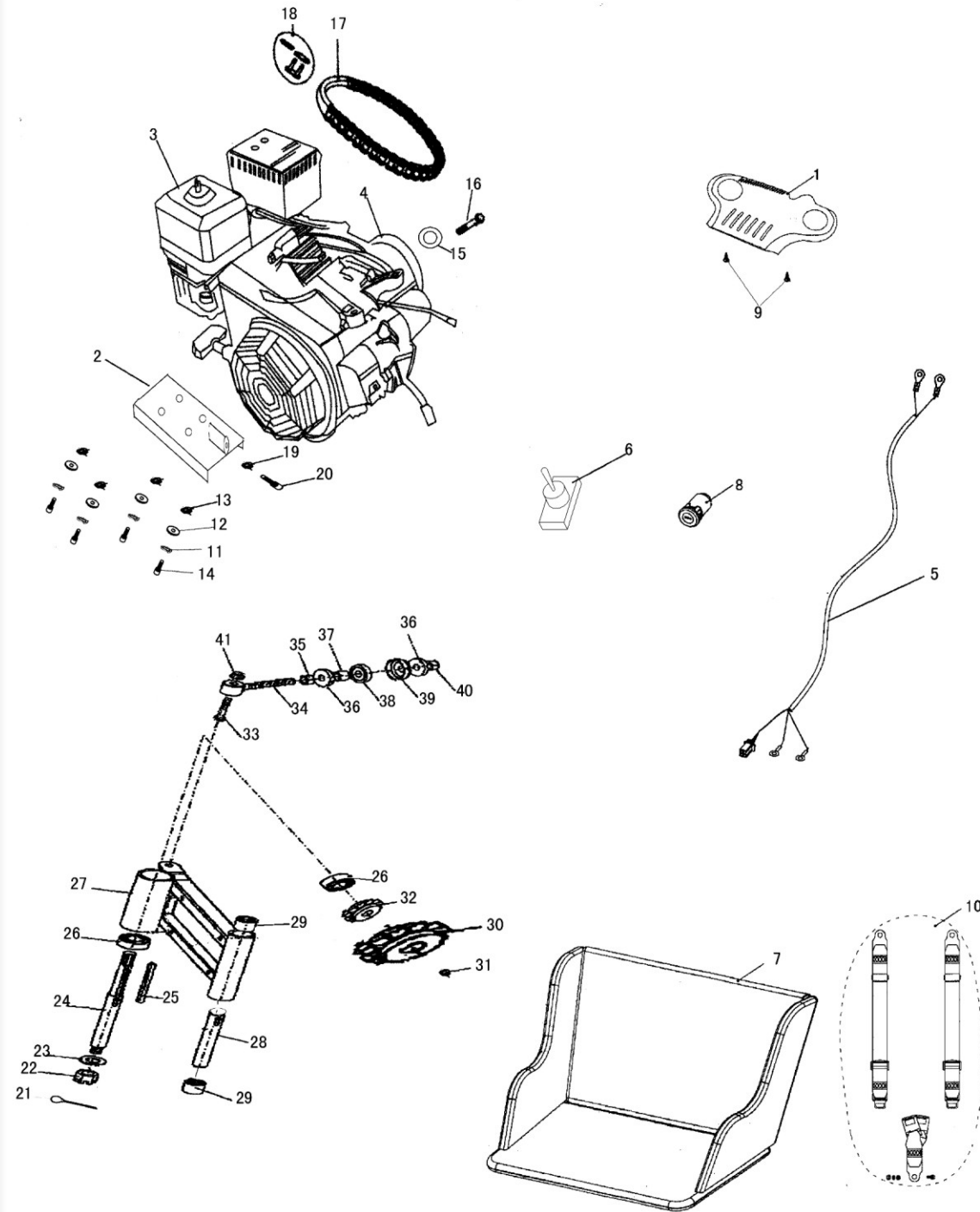


## REAR HOUSING



REF NO.	PART NO.	DESCRIPTION	Qty.
16-1	7.020.039	HUB COVER, RR.	2
16-2	9.220.016	LOCKING FLANGE NUT M16	2
16-3	8.010.138	AXLE KEY	3
16-4	6.000.170-BK	REAR WHEEL ASS'Y.	2
16-5	9.108.016	FLANGE BOLT M8×1.25×16	6
16-6	6.000.196	AXLE COVER	2
16-7	9.030.002	BEARING, 6204	2
16-8	9.106.016	FLANGE BOLT M6×16	8
16-9	8.010.098	DISC, BRAKE. RR.	1
16-10	8.010.097	REAR AXLE HUB	1
16-11	9.129.810	ALLEN HEAD BOLT M8×1.25×10	1
16-12	8.010.099	REAR SPROCKET	1
16-13	14-1101-00	REAR AXLE	1
16-14	005-3040-00	cotter Pin 3 x 40	2
16-15	7.190.018	Air Valve	2
16-16	6.000.199	MASTER LINK	1
16-17	6.000.183-BK	RIM, RR.	2
16-18	001-136005-00	TIRE, RR 13 x 6 -5	2
16-19	9.070.004	DRIVE CHAIN	1

WIRE HARNESS / ELECTRICAL / SEAT / CLUTCH ASSY



REF NO.	PART NO.	DESCRIPTION	Qty.
F17-1	14-0205-00	SWITCH PANEL COVER	1
F17-2	14-0604-00	Engine Mounting Plate	1
F17-3	006-QJ55-00	ENGINE COMP.	1
F17-4	14-1102-00	Clutch	1
F17-5	14-0303-00	WIRE HARNESS	1
F17-6	14-0304-00	ENGINE STOP BUTTON	1
F17-7	6.000.176	SEAT COMP.	1
F17-8	6.000.165	POWER ON SWITCH	1
F17-9	003-520013-00	Self Tapping Screw 4.2 x 13	4
F17-10	6.000.179	SAFETY BELT	1
F17-11	12.022.035	Spring Washer	4
F17-12	007-08-00	Flat Washer	4
F17-13	9.220.008	LOCKING FLANGE NUT M8	4
F17-14	9.108.055	BOLT M8X55	4
F17-15		Clutch Washer Φ10 (GB96)	1
F17-16	GB5783-86-20	BOLT M8X20	1
F17-17	14-1103-00	DRIVE CHAIN	1
F17-18	6.000.324	MASTER LINK	1
F17-19	6.034.096	NUT M8	1
F17-20	12.100.030	BOLT M8X45	1
F17-21	005-2530-00	COTTER PIN Φ2.5X30	1
F17-22	9.800.014	CASTLE NUT M14X1.5	1
F17-23	9.300.014	WASHER φ14	1
F17-24	14-1104-00	Shaft, Sprocket and Drive Pulley	1
F17-25	14-1105-00	Rear Clutch Axle Key	1
F17-26	6.000.065	BEARING 6004	2
F17-27	14-0605-00	ENGINE MOUNTING PLATE (2)	1
F17-28	14-0503-00	Bushing, Rubber	1
F17-29	7.020.077	BUSHING	2
F17-30	008-30-428	30 Teeth Sprocket	1
F17-31	GB9459-88-16	NUT M16X1.5	1
F17-32	008-13-06B	13 Teeth Sprocket	1
F17-33	GB5785-86-45	BOLT M10X1.25X45	1
F17-34	8.147.008	CHAIN ADJUSTER	1
F17-35	9.200.012	NUT M12X1.25	1
F17-36	8.010.042	WASHER-CHAIN ADJUSTER	2
F17-37	8.010.041	BUSHING-CHAIN ADJUSTER	1
F17-38	7.020.001	CAP WASHER-CHAIN ADJUSTER	1
F17-39	8.020.045	BOTTOM CAP WASHER-CHAIN ADJUSTER	1
F17-40	9.220.012	NUT M12X1.25	1
F17-41	9.220.010	NUT M10X1.25	1





FIG.18 WARNING STICKERS

REF NO.	PART NO.	DESCRIPTION	Qty.
F18-1	14-1201-00	LABEL SEAT BELT	1
F18-2	14-1202-00	LABEL NO CLIMBING	1
F18-3	14-1203-00	LABEL WARNING Operation	1
F18-4	14-1204-00	LABEL CHAIN GUARD	1
F18-5	14-1205-00	LABEL NO LONG HAIR	1
F18-6	14-1206-00	LABEL AGE	1
F18-7	14-1207-00	LABEL HOT SURFACES	1
F18-9			
F18-11	14-1208-00	OWNER'S MANUAL	1