

VERSION NUMBER: 18.1.3

# ***PARTS MANUAL***

**LH300ATV-D MODEL**

**USA**

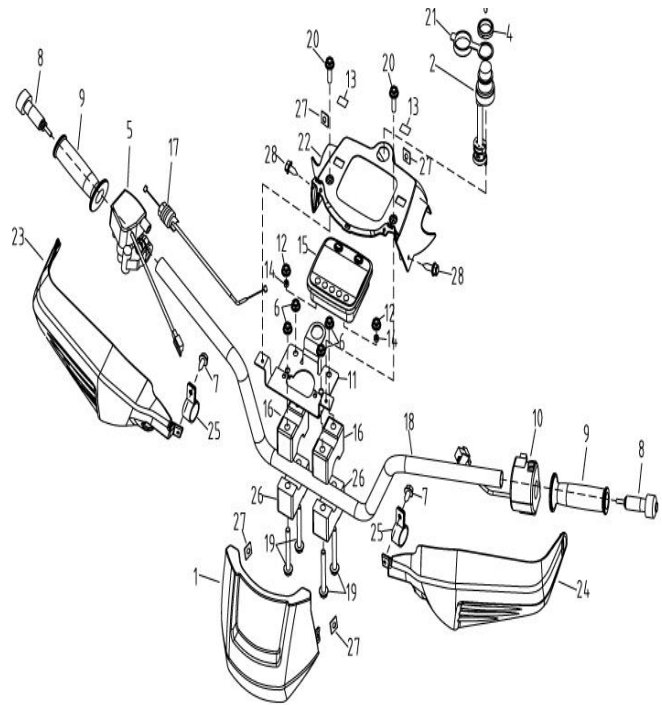


↔ Interchangeable; ≠ Noninterchangeable; ← New for old → old for new

## **1 HANDLEBAR**



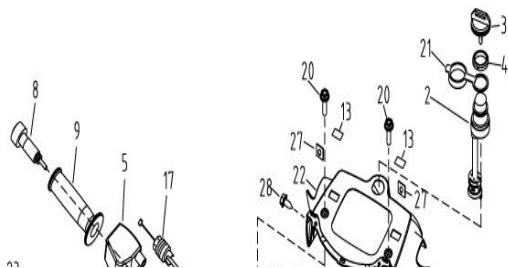
REF. PART NO.	DESCRIPTION	Q'T	I/C	PIN	图号	名称
<b>No.</b>		<b>Y</b>				
1	FRONT SPEEDOMETER COVER	1			4AD-21520-10	把手罩前部
27415						



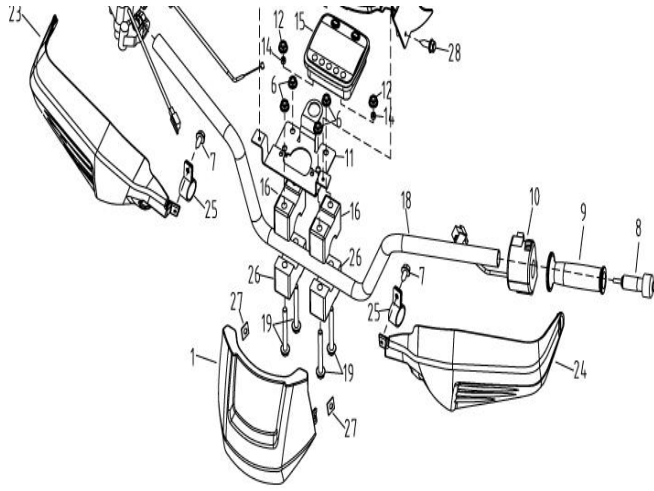
2	27457	IGNITION SWITCH WITH KEY (USED FOR WATERPROOF)	1	4AL-82500-00	电门锁 (防水款)
3	27457	KEY BLANK	1	LH260ATV.19.9f	钥匙坯
4	25003	THREADED NUT	1	LH260ATV.19.9B.1	锁紧螺母
5	20109A	THROTTLE CONTROL (WITH 2WD/4WD SWITCH)(WITHIN DIFF-LOCK)	1	LH260ATV.5.2C	油门固定座组件(含4WD切换开关)(加长手柄)
6	10079	NUT M8	4	B51L30800R	螺母 M8
7	11053	SCREW ST4.8X12	2	97704-50012	秃头自攻螺钉ST4.8X12
8	72037	NEW GUARD,HANDLEBAR END ASSY. (MATCH WITH NEW HANDLE FRAR)	2	4AA-26202-00	堵头组件
9	36438	GRIP	2	4BE-26101-00	把手套 (加厚)
10	25007	SWITCH ASSY (FOR EUROPE)	1	LH260ATV.19.7f	左把手开关 (用于美标)
11	25008	SPEEDOMETER BRACKET	1	4AR-22531-00	仪表安装板
12	10004	NUT M6	2	B51L30600R	螺母 M6
13	25010	SPEEDOMETER COVER CAP (FOR EUROPE)	1	4AB-83501-00	仪表前罩装饰盖
14	70447	RUBBER WASHER	2	4AB-21211-00	塑料件缓冲垫
15	25012	LCD SPEEDOMETER (FOR USA)	1	LH260ATV-B.23.5a	仪表(液晶美标)
16	20112a	HANDLEBAR CLAMP	2	4AL-26113-00	方向把压块
17	20114b	THROTTLE CABLE	1	LH260ATV.5.3a	油门钢索组件
18	27385a	HANDLEBAR	1	4AC-26111-10	方向把 (电喷)
19	10531	BOLT M8X80	4	B15L30872R	螺栓 M8X72
20	70843A	SCREW M5X16	2	GB/T818	螺钉 M5X16
21	27257	IGNITION SWITCH COVER	1	4AL-82501-00	电门锁橡胶盖
22	27416	REAR SPEEDOMETER COVER	1	4AD-21530-10	把手罩后部
23	27417	HANDLEBAR COVER RIGHT	1	4AA-28366-00	右护手
24	27418	HANDLEBAR COVER LEFT	1	4AA-28365-00	左护手
26	27419	HANDLE COVER INSTALLATION BELT	2	4AA-26282-00	把手罩安装带

↔ Interchangeable; ≠ Noninterchangeable; ← New for old → old for new

## 1 HANDLEBAR

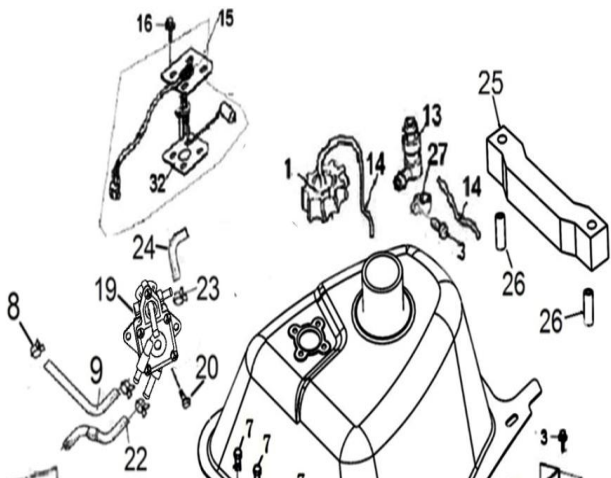


REF. No.	PART NO.	DESCRIPTION	Q'T Y	I/C	PIN	图号	名称
27	20112a	HANDLEBAR DOWN CLAMP	2			4AL-26113-00	方向把下压块
28	22346	CLAMP 4.8	4			LYM100T.6-2	弹性卡子4.8
29	10520	SCREW ST4.8X12	4			B21A34J12R	自攻螺钉ST4.8X12

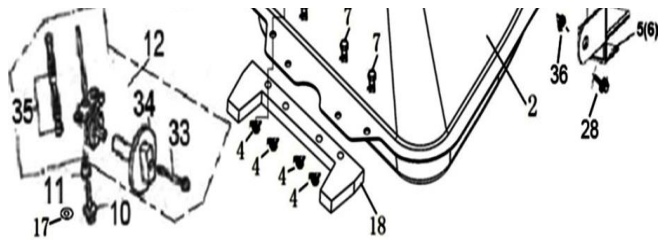


↔ Interchangeable; ≠ Noninterchangeable; ← New for old → old for new

## 2 FUEL TANK IRON (FOR USA)



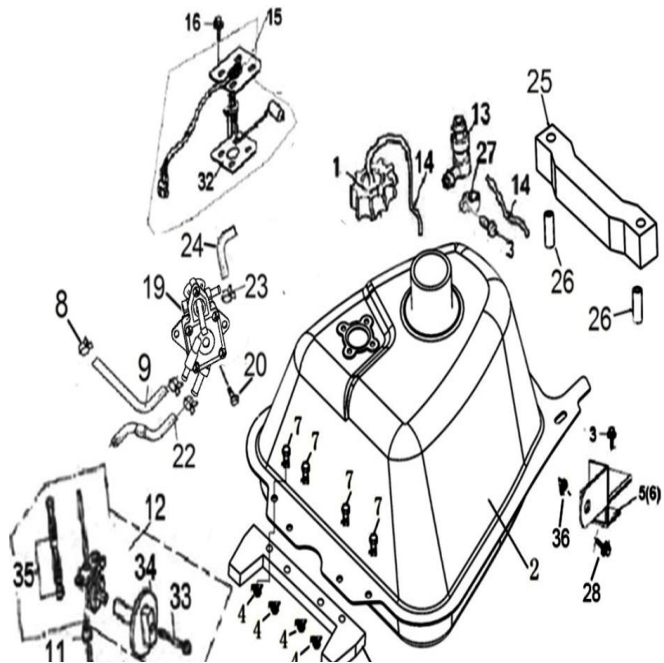
REF. No.	PART NO.	DESCRIPTION	Q'T	I/C	PIN	图号	名称
1	70725	FUEL CAP	1			LH520ATV.8.3	油箱盖
2	25304	FUEL TANK	1			4AD-24110-00	铁油箱
3	10005	BOLT M6X60	2			GB/T16674.1	螺栓 M6X60
4	10079	NUT M8	4			GB/T6187	螺母 M8
5	25023	BRACKET,L	1			LH260ATV-B.8-1	左连接支架
6	25024	BRACKET,R	1			LH260ATV-B.8-2	右连接支架
7	10168	BOLT M8X16	4			GB/T16674.1	螺栓 M8X16
8	27556	HOSE CLAMP 1	2			LH250T-B.3-7	弹簧卡箍φ12
9	27557	FUEL LINE 1	1			LH260ATV-B.8C-2	进油管 I
10	10183	BOLT M6X16	2			GB/T16674.1	螺栓 M6X16
11	70742	COLLAR	2			LH520ATV.8-9	安装隔套1
12	27558	FUEL VALVE ASSY (RED)	1			LH260ATV-B.8.2	油箱开关 红色
13	25037	VALVE,TANK. FUEL	1			LH125T-12.11.5	倾倒阀



14	25305	TUBE,FUEL CAP BREATHER	2	LH50ATV.8-10	溢油管
15	25020	FUEL UNIT SET ASSY	1	LH260ATV-B.23.6	汽油传感器组件
16	26010	BOLT M5X12	4	GB/T9074.1	螺栓 M5X12
17	10006	WASHER 6	2	GB/T97.1	平垫6
18	25306	BRACKET,FUEL TANK	1	4AD-24102-00	油箱前安装支架
19	20228	FUEL PUMP ASSY	1	LH250T.3.3	汽油泵
20	10110	BOLT M6X20	2	GB/T16674.1	螺栓 M6X20
21	22918	PIN SET	2	170M.11-6	销套
22	25307	TUBE,FUEL	1	LH260ATV-B.8C-1	出油管 I
23	20218	CLIP	2	LH250T.3-7	弹簧卡箍φ12
24	20231	PIPE	1	LH260ATV.8.10	负压管
25	20209	CUSHION,FUEL TANK	1	LH260ATV.8-1	油箱安装缓冲垫
26	20210	BUSHING, FUEL TANK	2	LH260ATV.8-2	油箱安装衬套
27	880.021	CLAMP	1	LH125T-12.11-4	倾倒阀门固定圈
28	10183	BOLT M6X16	2	GB/T16674.1	螺栓 M6X16
32	27561	RUBBER WASHER	1	LH260ATV-B.23.6a-1	汽油传感器垫片

↔Interchangeable; ≠Noninterchangeable; ←New for old →old for new

## 2 FUEL TANK IRON (FOR USA)

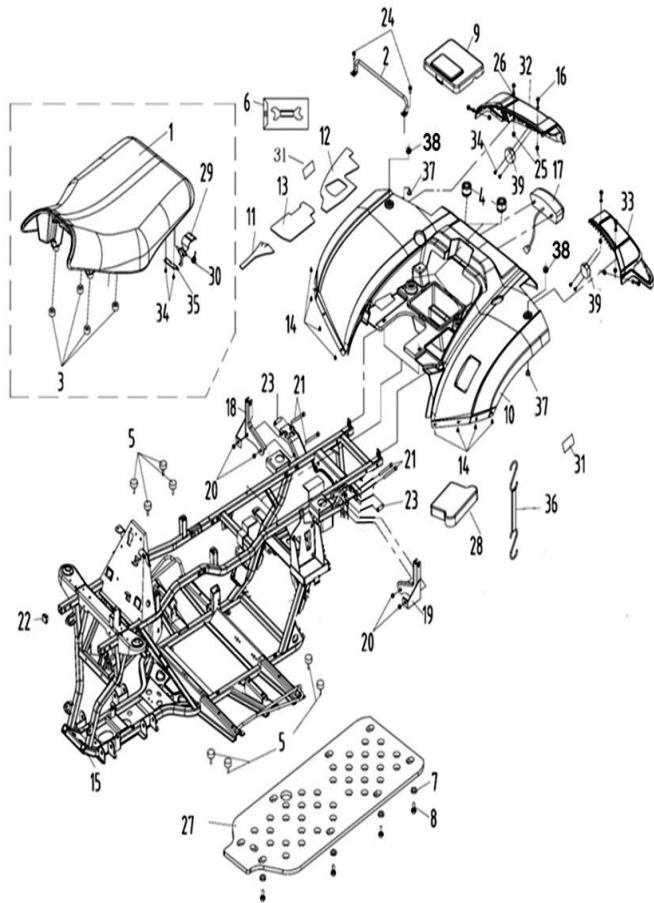


REF. No.	PART NO.	DESCRIPTION	Q'T Y	I/C	PIN	图号	名称
33	25031	SCREW COMBINATION	1			LH260ATV-B.8.2.1	螺钉组合
34	25030	LEVER, PETCOCK	1			LH260ATV-B.8.2-1	手柄
35	27562	SCREW SET, FUEL STRAINER	1			LH260ATV-B.8.2-8	滤网O型圈
36	10004	NUT M6	2			LH260ATV-B.8.2-11 B51L30600R	螺母 M6

17 10 18

↔ Interchangeable; ≠ Noninterchangeable; ← New for old → old for new

### 3 REAR FENDERS

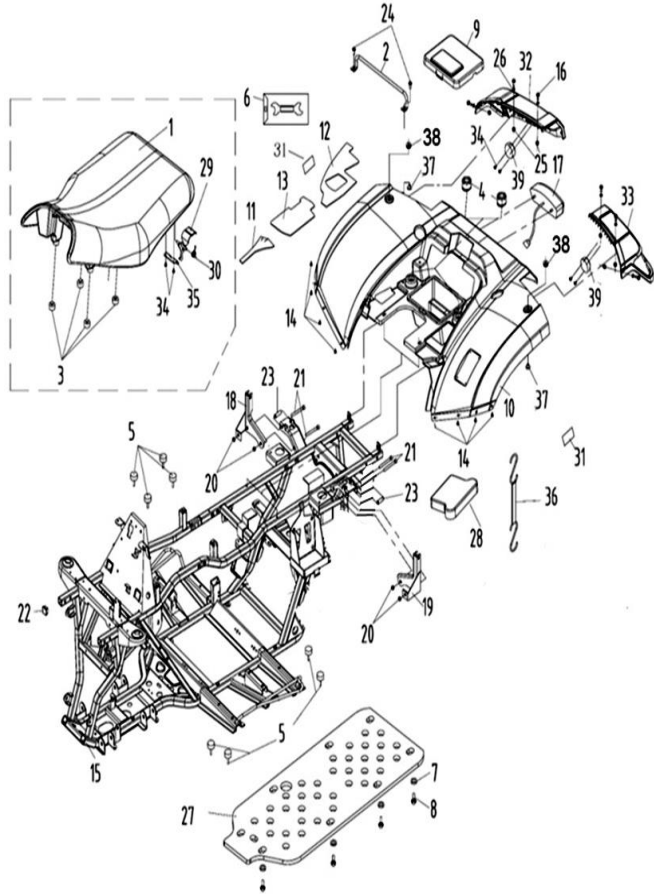


REF. No.	PART NO.	DESCRIPTION	Q'T	I/C	PIN	图号	名称
1	25040	SEAT (BLACK) (BASIC)	1			LH260ATV-B.9.1	座垫(黑色) (基本型)
2	25041	LATCH ASSEMBLY	1			LH260ATV-B.9-4	座垫锁杆
3	25042	RUBBER, SEAT SETTING 1	6			LH260ATV-B.9-1	缓冲块
4	70445	RUBBER, SEAT SETTING 2	2			LH520ATV.2-32	坐垫安装垫圈
5	20316	RUBBER PAD	8			LH260ATV.1.15	弹性安装螺母
6	25044	TOOL	1			LH260ATV-B.GJ.1	1工具组
7	20331	WASHER 6	8			LH260ATV.2-27	安装垫圈
8	10191	BOLT M6X18	8			GB/T16674.1-M6X18	螺栓M6X18
9	25045	TOOL BOX CAP	1			LH260ATV-B.2-9	工具箱盖
10	20404a	REAR FENDER	1			LH260ATV.2-6A	后护罩
11	25047	FOOTREST RIGHT ADIABATIC PELLICLE	1			LH260ATV-B.2-12	右脚踏板隔热膜
12	25048	REAR MUD ADIABATIC PELLICLE 1	1			LH260ATV-B.2-14	后护罩隔热膜1
13	25049	REAR MUD ADIABATIC PELLICLE 2	1			LH260ATV-B.2-13	后护罩隔热膜2
14	10420	SCREW M6X16	8			GB/T818 M6X16	十字槽大盘头螺钉M6 X16
15	25308	FRAME ASSY.	1			4AN-21110-10	车架焊接组件 (美标)
16	10006	WASHER 6	8			GB/T97.1	平垫6
17	25053	TAILLIGHT	1			LH260ATV-B.23.2	后尾灯
18	25054	TRESTLE RIGHT	1			LH260ATV-B.22.3	后货架前右安装板
19	25055	TRESTLE LEFT	1			LH260ATV-B.22.2	后货架前右安装板
20	25056	BOLT M8X70	4			GB/T16674.1	螺栓 M8X70
21	10776	NUT 8	4			B53A20800R	螺母M8
22	70287	RUBBER COVER	4			4AB-21206-00	方管橡胶盖
23	35838	SPACER	4			LH260ATV.1-9	隔套
24	10140	BOLT M6X12	2			GB/T16674.1 M6X12	螺栓M6X12
25	10004	NUT6	8			GB/T6187	螺母6

26	10008	BOLT M6X20	4	GB/T70.2	螺栓 M6X20
27	27312	PLASTIC PLANT	1	LH400ATV-2.2-26	底盘护板
28	35078	BATTERY COVER	1	4AV-28331-00	电瓶盒盖

↔ Interchangeable; ≠ Noninterchangeable; ← New for old → old for new

### 3 REAR FENDERS

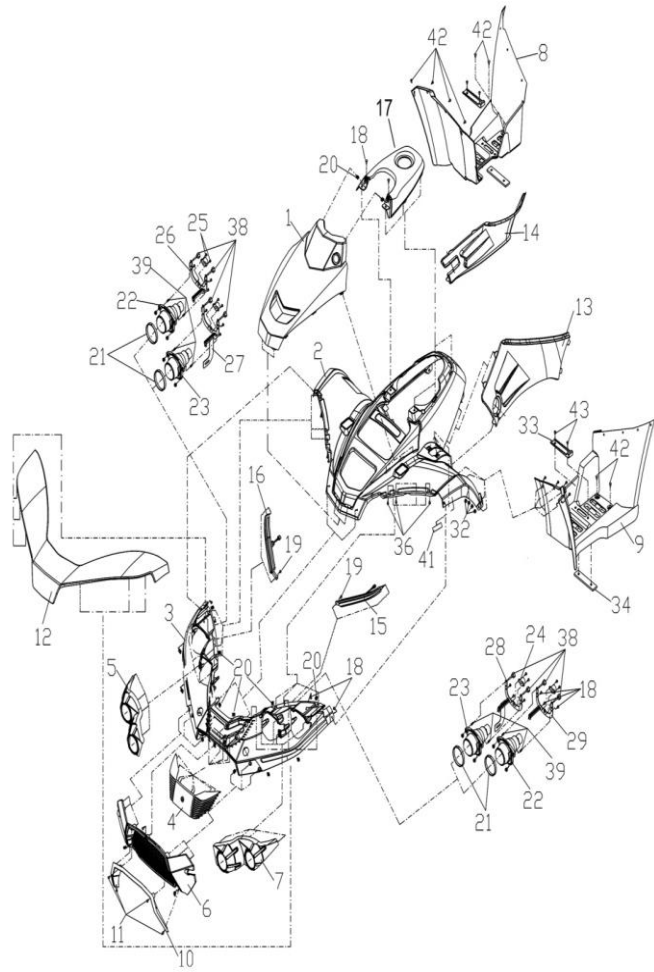


REF. No.	PART NO.	DESCRIPTION	Q'T	I/C	PIN	图号	名称
29	70788	HOOK BRACKET, SEAT LOCK	1			LH520ATV.9.1.1	扳手支架
30	70802	SPRING	1			LH520ATV.9.1-2	扭簧
31	71960	REFLECTION STICK (RED)	2			4CC-85102-00	后反射贴条 (红色)
32	27383	TAILLIGHT COVER, R	1			LH400ATV-2B.2-8	右尾灯护罩
33	27382	TAILLIGHT COVER, L	1			LH400ATV-2B.2-7	左尾灯护罩
34	10178	SCREW M6X16 ST4.2X13	2			GB/T845 ST4.2X13	螺钉 ST4.2X13
35	70803	BAFFLE.SEAT	1			LH520ATV.9.1-3	座垫挡板
36	70412	TIE (30Ah)	1			4AB-82130-00	电瓶扎带 (18Ah)
37	70449	COVER BUFFER	2			LH520ATV.2-39	护罩缓冲套
38	70543	SPACER, COVER BUFFER	2			LH520ATV.2-40	护罩缓冲套隔套
39	35840	REAR TURNLIGHT COVER	2			4AD-28378-00	后转向灯盖

↔ Interchangeable; ≠ Noninterchangeable; ← New for old → old for new

### 4 FRONT BODY & FRAM

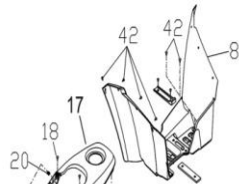
REF. No.	PART NO.	DESCRIPTION	Q'T	I/C	PIN	图号	名称
----------	----------	-------------	-----	-----	-----	----	----



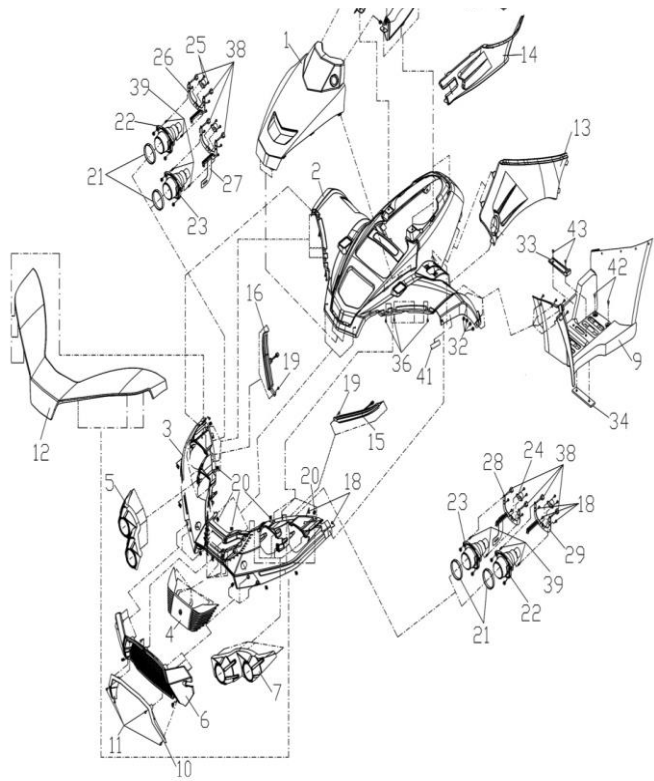
1	25064	FRONT COVER	1	LH260ATV-B.2-2	前面板
2	20403B	FRONT BODY	1	LH260ATV.2-5B	前护罩
3	27357	PLASTIC BUMPER	1	LH400ATV-2B.2-1	前罩
4	27363	FRONT COVER	1	LH400ATV-2B.2-2	前装饰盖
5	27365	PROTECTOR.R.HEADLIGHT	1	LH400ATV-2B.2-3	右灯框
6	27426	PLATE, FRONT RACK	1	4AD-21570-10	前保险杠装饰板
7	27376	PROTECTOR.L.HEADLIGHT	1	LH400ATV-2B.2-4	左灯框
8	25071	FOOTREST RIGHT	1	LH260ATV-B.2-8	右脚踏板
9	25072	FOOTREST LEFT	1	LH260ATV-B.2-7	左脚踏板
10	27427	INSERTS, FRONT RACK	1	4AD-21580-10	前保险杠嵌件
11	10009	SVREW ST4.8x16	4	GB/T845	自攻螺钉ST4.8x16
12	27436	BOARD, FRONT COVER	1	4AD-21590-10	前面罩上装饰板
13	25077	SIDE COVER L	1	LH260ATV-B.2-3	左侧板
14	25076	SIDE COVER R	1	LH260ATV-B.2-4	右侧板
15	27434	LED LIGHT, L	1	4AD-84314-01	LED左装饰灯
16	27435	LED LIGHT, R	1	4AD-84315-01	LED右装饰灯
17	25093	COVER,FUEL TANK TOP	1	LH260ATV-B.2-11	油箱盖板
18	10009	SVREW ST4.8x16	18	GB/T845	自攻螺钉ST4.8x16
19	10178	SVREW ST4.2x13	20	GB/T845	自攻螺钉ST4.2x13
20	22346	NUT ST4.8	22	LYM100T.6-2	弹性卡扣螺母ST4.8
21	35842	CUSHION	4	4AD-84308-00	前大灯缓冲海绵条
22	27455	HIGH BEAM	2	4AD-84301-00	前远光灯
23	27456	DIPPED HEADLIGHT	2	4AD-84310-00	前近光灯
24	27371	BALL JOINT, HEADLIGHT	4	LH400ATV-2B.23.5.1	大灯球头安装板
25	11100	SCREW M4x12	8	GB/T9074.5	螺钉M4x12
26	27428	HIGH BEAM BRACKET, R	1	4AD-22520-10	右远光灯安装支架组件
27	27431	DIPPED HEADLIGHT BRACKET, R	1	4AD-22540-10	右近光灯安装支架组件

↔ Interchangeable; ≠ Noninterchangeable; ← New for old → old for new

#### 4 FRONT BODY&FRAM



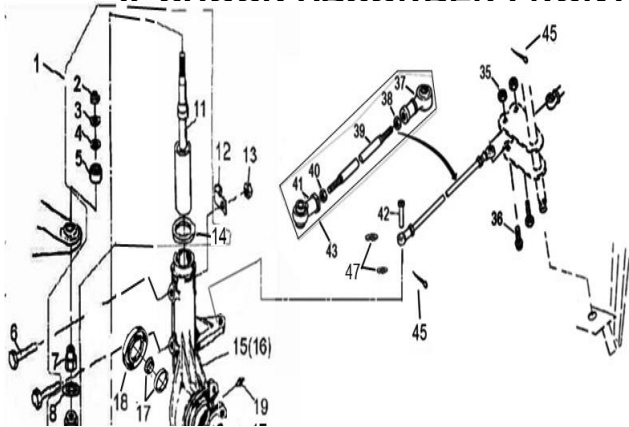
REF. No.	PART NO.	DESCRIPTION	Q'T Y	I/C	PIN	图号	名称
28	27433	DIPPED HEADLIGHT BRACKET, L	1			4AD-22530-10	左近光灯安装支架组件
29	27432	HIGH BEAM BRACKET, L	1			4AD-22510-10	左远光灯安装支架组件
32	11064	NUT M6	8			B53A20600R	螺母M6
33	70336	STEP (SHORT)	2			LH520ATV.1-6	钩牙钉板 (短)
34	70300	RUBBER WASHER	2			LH520ATV.1-3	脚踏板缓冲橡胶块



36	10520	SCREW ST4.8X12	6	B21A34J12R	自攻螺钉ST4.8X12
38	27372	ADJUSTMENT BOLT, HEADLIGHT	8	LH400ATV-2B.23.5-1	大灯调节螺栓
39	27373	SPRING	8	LH400ATV-2B.23.5-2	弹簧
41	71959	FRONT REFLECTION TAPE	2	4CC-85101-00	前侧反射贴(黄)
42	10420	SCREW M6X16	16	GB/T818 M6X16	十字槽大盘头螺钉M6 X16
43	10127	SCREW M6X20	4	GB/T818 M6X20	十字槽大盘头螺钉M6 X20

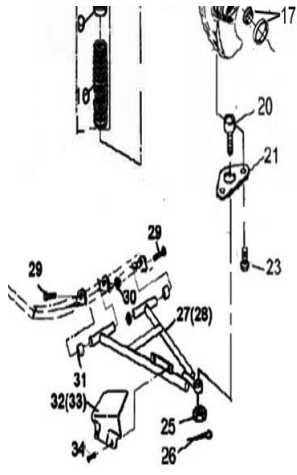
↔ Interchangeable; ≠ Noninterchangeable; ← New for old → old for new

### 5 SHOCK ABSORBER FRONT



REF. No.	PART NO.	DESCRIPTION	Q'T	I/C	PIN	图号	名称
1	21820	FRONT SHOCK ABSORBER ASSEMBLY	2			LH260ATV.3.1	前减震器组件
2	10091	NUT M14X1.5	2			GB/T6187.2	螺母
3	21802	WASHR 14	2			LH260ATV.3.1-1	垫圈14
4	21803	SPACER RUBBER	2			LH260ATV.3.1-2	缓冲垫
5	21804	UPPER PIVOT BALL	2			LH260ATV.3.1-3	球碗A
6	10093	BOLT M8X55	4			GB/T5782-M8X55	螺栓
7	21806	NUT M14X1.5	2			LH260ATV.3.1-6	螺母M14X1.5
8	21807	LOWER PIVOT BALL	2			LH260ATV.3.1-4	球碗B
9	21808	SPRING RETAINER	2			LH260ATV.3.1-5	弹簧座
10	21809	SPRING	2			LH260ATV.3.1-7	前减弹簧
11	25288	STRUT BUMPER	2			LH260ATV-B.3.1.1	前减震器贮液筒组件

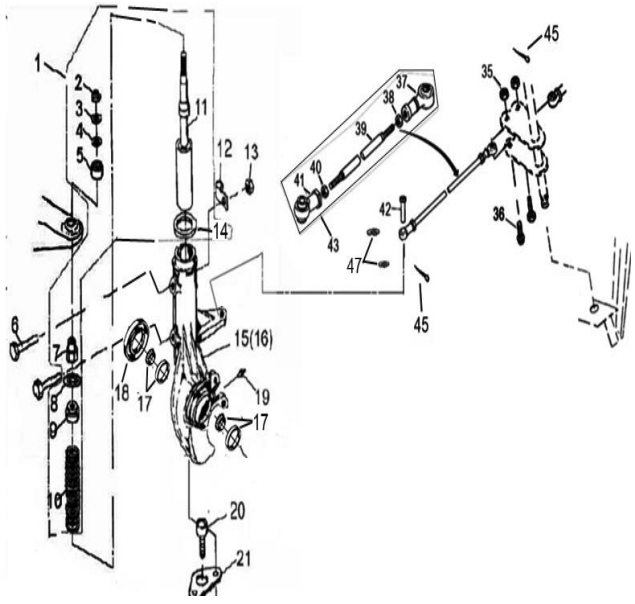




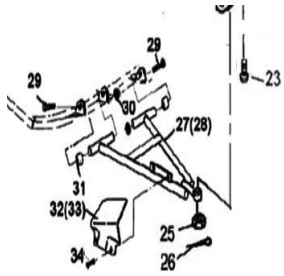
12	21811	CLAMP	2	LH260ATV.5.1.1	碟刹油管固定卡
13	10079	NUT M8	4	GB/T6187-M8	螺母
14	21813	SPRING RETAINER	2	LH260ATV.3.1-9	大垫圈
15	21814	STRUT BODY LEFT	1	LH260ATV.3.2.1	前减震器左支撑
16	21819	STRUT BODY RIGHT	1	LH260ATV.3.2.2	前减震器右支撑
17	10095	BEARING	4	GB297-320/28 4CC	圆锥滚子轴承
18	21818	SEAL SLEEVE	2	LH260ATV.3.2.3	油封60.5X73.2X8
19	27074	GREASE FITTING	2	JB/T7940.1-M6	油杯
20	20512	BALL JOINT STUD	2	LH260ATV.3.2.4	前减震器支撑联轴节
21	20513	BALL JOINT MOUNTING BRACKET	2	LH260ATV.3.2-1	联轴节安装板
23	10022	BOLT M6X12	4	GB/T819.1-M6X12	十字槽沉头螺栓
25	27067	NUT M10X1.25	2	LH260ATV.3.2-3	开槽螺母M10X1.25
26	10501	COTTER PIN 2.5X25	2	GB/T91-2.5X25	开口销 -2.5X25
27	20518F	A-ARM LEFT	1	LH260ATV.1.8.2	左A臂焊接组件
28	20627F	A-ARM RIGHT	1	LH260ATV.1.8.3	右A臂焊接组件
29	20522F	A-ARM PIVOT SHAFT	4	LH260ATV.1.8a-3	A臂轴
30	10136	NUT M12X1.25	4	GB/T6187	螺母M12X1.25

↔ Interchangeable; ≠ Noninterchangeable; ← New for old → old for new

### 5 SHOCK ABSORBER FRONT

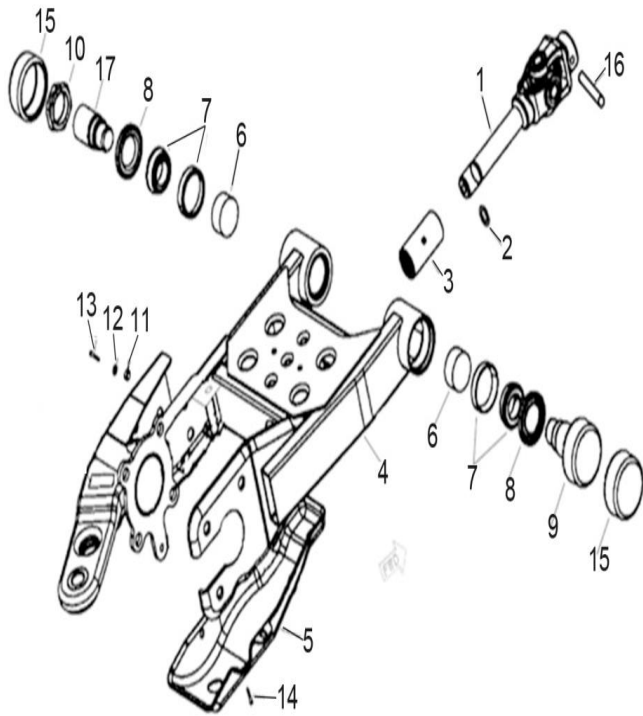


REF. No.	PART NO.	DESCRIPTION	Q'T Y	I/C	PIN	图号	名称
31	20524	BUSHING	4			LH260ATV.1.8-1	A臂缓冲套
32	20519	A - ARM SHIELD LEFT	1			LH260ATV.2-21	前左轴挡片
33	20628	A - ARM SHIELD RIGHT	1			LH260ATV.2-22	前右轴挡片
34	10001	SCREW M5X12	4			GB/T818	螺钉-M5X12
35	10015	NUT M10X1.25	2			GB/T6187-M10X1.25	螺母M10X1.25
36	27794	BOLT M10X1.25X57	2			4AV-26214-00	螺栓M10X1.25X57
37	20503	TIE ROD END A	2			LH260ATV.1.7.2-1	球头节A
38	10017	JAM NUT(RIGHT)	2			GB/T6172-M12	螺母M12
39	20505	TIE ROD	2			LH260ATV.1.7.2-3	横拉杆
40	20506	JAM NUT(LEFT)	2			LH260ATV.1.7.2-5	锁紧螺母
41	20507	TIE ROD END B	2			LH260ATV.1.7.2-4	球头节B
42		BOLT M10X1.25X65	2			GB/T5787-M10X1.25X65	球头安装螺栓M10X1.25X65
43	20629	TIE ROD ASSY	2			LH260ATV.1.7.2	转向横拉杆组件
45	27215	COTTER PIN 2.5X25	4			GB/T91	开口销 -2.5X25
47	10019	WASHER	4			GB/T97.1	垫圈-10



↔ Interchangeable; ≠ Noninterchangeable; ← New for old → old for new

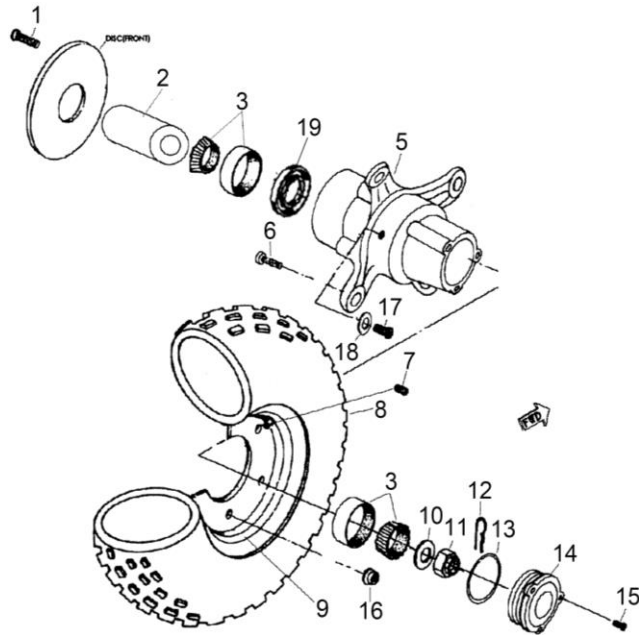
## 6 SWINGARM ASSY



REF. No.	PART NO.	DESCRIPTION	Q'T	I/C	PIN	图号	名称
1	25098	REAR PROPSHAFT ASSY	1			LH260ATV-B.13.1	万向节C
2	11039	O-RING	1			GB3452.1-22.4X4	O型圈
3	20703	COUPLING-PROP SHAFT GREASED	1			LH260ATV.13.2	花键套
4	25099	SWINGARM ASSY	1			LH260ATV-B.10.1.1	后摇架焊接组件
5	20705	SKID PLATE REAR	1			LH260ATV.10-1	后桥护板
6	20706	SEAL-SWINGARM PIVOT	2			LH260ATV.10.1-2	海面块4X5X20
7	10030	BEAR	2			GB/T297-30205 3CC	圆锥滚子轴承
8	20708	SEAL	2			LH260ATV.10.1.2	油封31.8X54X6.5
9	20709	SWING ARM PIVOT RIGHT	1			LH260ATV.10.1-4	右固定轴
10	20710	THREADED PIVOT	1			LH260ATV.10.1-5	锁紧螺母
11	10031	NUT M12	3			GB/T6187-M12	螺母
12	10032	WASHER 12	3			GB/T97.1-12	垫圈
13	10033	BOLT M12X35	3			GB/T5783-M12X35	螺栓
14	10034	BOLT M8X12	3			GB/T16674.1-M8X12	螺栓
15	20715	CAP SWINGARM PIVOT	2			LH260ATV.2-33	后摇臂轴头盖
16	20716	ROLL PIN	1			LH260ATV.13-1	弹性销
17	20717	SWINGARM PIVOT LEFT	1			LH260ATV.10.1-3	左固定轴

↔ Interchangeable; ≠ Noninterchangeable; ← New for old → old for new

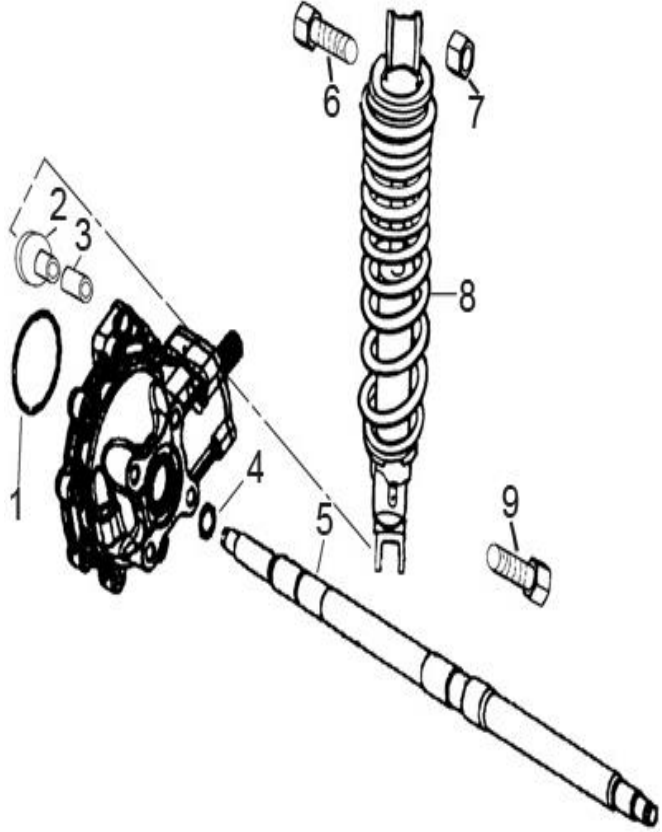
## 7 WHEEL FRONT



REF. No.	PART NO.	DESCRIPTION	Q'T Y	I/C	PIN	图号	名称
1	10035	BOLT M8X20	8			GB/T5783-M8X20	螺栓
2	20802	SPACER (NOT FOR 4WD)	2			LH260ATV.6-4	前轮隔套
3	10030	BEARING (ONLY FOR 4WD)	2			GB/T297-30205 3CC	圆锥滚子轴承 (4WD 使用)
5	20805a	HUB ASSY SHRT (FOR 4WD)	2			LH260ATV.6.3-1a	前轮毂(四驱)
6	20806	WHEEL STUD	8			LH260ATV.6-3	联接螺栓(与铁轮配套使用)
7	20810	VALVE.RIM (PVR70) (FOR IRON WHEEL)	4			GB/T1796.1	气门嘴组件 弯的 (铁轮使用)
8	20808	TIRE FRONT (MARK IN "DURO")	2			LH260ATV.6.1.2	前轮胎AT24X8-12(华丰)
9	20809b	WHEEL FRONT (IRON AND BLACK)	2			T000807BK	前轮辋 (铁的 黑色)
10	20810	WASHER (FOR 4WD)	2			LH260ATV.6-6	垫圈(四驱)
11	20811A	SLOTTED NUT (FOR 4WD)	2			LH260ATV.6-1a	开口槽螺母M16X1.5(四驱)
12	10051	COTTER PIN	2			GB/T91-4X36	开口销-4X36
13	10039	O-RING	2			GB3452.1-46.5X2.65	O型圈
14	20814	HUB CAP 2-LOBE AWD	2			LH260ATV.6-2	轮毂盖
15	10040	SCREW M5X16	6			GB/T70.1-M5X16	螺钉
16	10015	LUG NUT M10X1.25 (BLACK FOR IRON)	8			GB/T6187-M10X1.25	螺母 (铁轮使用黑色)
17	20817	LUG	1			153FM.18-3	放油螺栓M8
18	20818	WASHER	1			153FM.18-2	平垫圈
19	20804	SEAL SLEEVE 66.6x82.5x12.8	2			LH260ATV.6.4	油封66.6x82.5x12.8

↔ Interchangeable; ≠ Noninterchangeable; ← New for old → old for new

### 8 SHOCK ABSORBER REAR



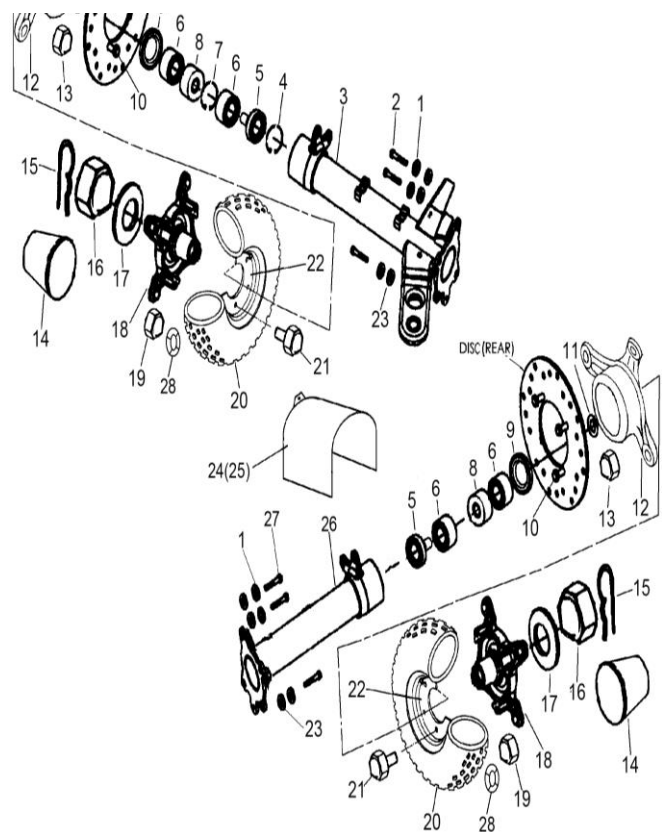
REF. No.	PART NO.	DESCRIPTION	Q'T Y	I/C	PIN	图号	名称
1	20901	O-RING	1			LH260ATV.12-5	O型圈79X4
2	20902	CUSHION PAD	2			LH260ATV.4-4	后减震器下缓冲块
3	20903	SPACER-BEARING	1			LH260ATV.4-3	中间衬套
4	11041	O-RING	2			GB3452.1-22.4X3.55	O型圈
5	25102	REAR AXLE (FOR EUROPE AND PARKING SYSTEM I)	1			LH260ATV-B.7-1	后轴
6	20906	UP BOLT M10X1.25X57	1			LH260ATV.4-1	后减震器上安装螺栓
7	10015	NUT M10X1.25	2			GB/T6187-M10X1.25	螺母
8	25104	SHOCK ABSORBER REAR	1			LH260ATV-B.4.1	后减震器组件
9	20909	DOWN BOLT M10X1.25X57	1			LH260ATV.4-2	后减震器下安装螺栓

↔ Interchangeable; ≠ Noninterchangeable; ← New for old → old for new

### 9 WHEEL REAR



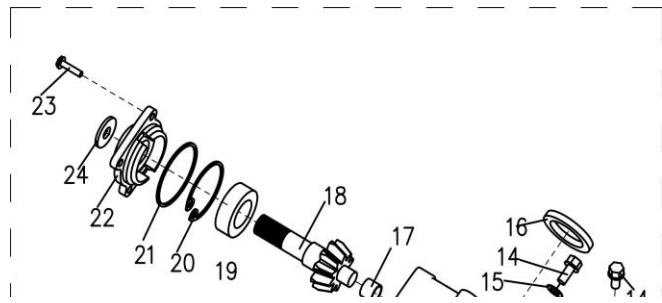
REF. No.	PART NO.	DESCRIPTION	Q'T Y	I/C	PIN	图号	名称
1	10032	WASHER 12	8			GB/T97	弹垫-12
2	10035	BOLT M12X30	4			GB/T5783	螺栓-M12X30
3	25245	AXLE TUBE AND HITCH ASSEMBLY LEFT	1			LH260ATV-B.10.2.1a	后桥梁焊接组件



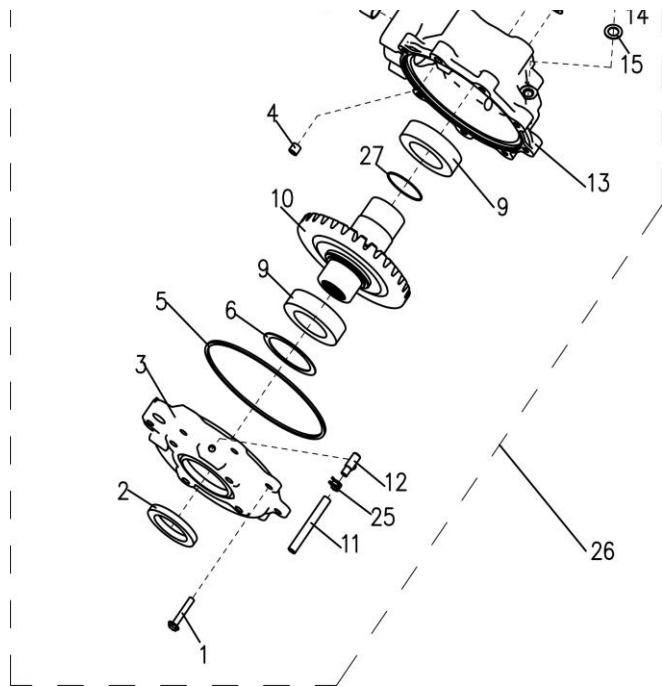
4	21004	RING RETAINER INT	2	LH260ATV.7-2	轴用挡圈
5	21005	SPACER	2	LH260ATV.7-3	轴套
6	10199	BEARING BALL DBL SEAL	4	GB/T276	轴承6206-2Z
7	10047	RING RETAINER INT	1	GB893.2	孔用弹性挡圈-62
8	21008	SPACER-BEARING	2	LH260ATV.10.2-1	中间隔套
9	21009	SEAL REAR AXLE	2	LH260ATV.10.2.2	油封36.5X62X7
10	10048	BOLTS M10X1.25X20	6	GB/T5786	螺栓-M10X1.25X20
11	10221	O-RING	2	GB3452.1	O型圈-25X2.55
12	21012	HUB BRAKE DISC MACH	2	LH260ATV.7-4	后碟刹盘安装座
13	10050	NUT M10X1.25	6	GB/T6173	薄螺母-M10X1.25
14	21014	AXLE CAP	2	LH260ATV.2-32	后轮轴头护套
15	10051	COTTER PIN	2	GB/T91	开口销-4X36
16	21017	NUT SLOTTED M20X2	2	GB/T9459	开槽螺母-M20X2
17	21017	WASHER	2	LH260ATV.7-6	垫圈
18	21018	WHEEL HUB	2	LH260ATV.7-5	后轮毂
19	21019	LUG NUT M12X1.25	8	LH260ATV.7-7	锁紧螺母M12X1.25
20	31020	TIRE REAR (MARK IN "DURO")	2	LH260ATV.7.1.2	后轮胎AT24X11-10 (华丰)
21	10053	WHEEL STUD M12X1.25X45	8	GB/T5786	螺栓-M12X1.25X45
22	21022b	WHEEL REAR (IRON AND BLACK)	2	T000809BK	后轮辋(铁的 黑的)
23	10054	WASHER 12	8	GB/T93.1	垫圈-12
24	21024	BRAKE HOSE COVER(LEFT)	1	LH260ATV.2-31	碟刹管护套 (左)
25	31024	BRAKE HOSE COVER(RIGHT)	1	LH260ATV.2-31a	碟刹管护套 (右)
26	21025	AXLE TUBE AND HITCH ASSEMBLY RIGHT	1	LH260ATV.10a.1.1	右后碟刹安装座
27	10033	BOLT M12X35	4	GB/T5783	螺栓-M12X35
28	21026	WHEEL WASHER	8	LH260ATV.7-8	后螺栓锁紧垫圈

↔ Interchangeable; ≠ Noninterchangeable; ← New for old → old for new

### 10 REAR GEAR-BOX



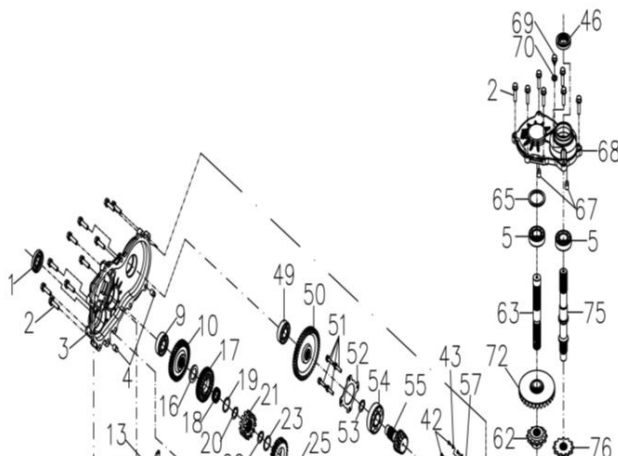
REF. No.	PART NO.	DESCRIPTION	Q'T	I/C	PIN	图号	名称
1	10055	BOLT M8X45	2			GB16674.1-M8X45	螺栓
2	21102	SEAL 50X70X8	1			LH260ATV.12.1	油封50X70X8
3	21103	OUTPUT COVER	1			LH260ATV.12-2	后桥盖
4	21104	DOWEL PIN	1			LH260ATV.17-17	定位销
5	21105	O-RING 176X2.65	1			LH260ATV.12-8	O型圈176X2.65
6	21106	SHIM	1			LH260ATV.12-6	调整垫圈
9	10056	BEARING 110	2			GB276-110	轴承
10	21110	RING GEAR	1			LH260ATV.12-7	后桥输出轴



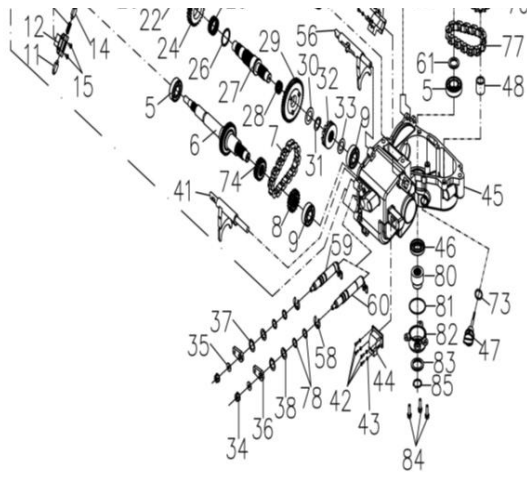
11	21111	VENT	1	LH260ATV.12-14	通气管
12	21112	BEARING	1	LH260ATV.12.3	通气嘴
13	21113	DRIVE HOUSING	1	LH260ATV.12-1	后桥体
14	21114	OIL PLUG	2	LH260ATV.17-10	加油螺塞
15	21115	WASHER	2	LH260ATV.17-11	铝垫A
16	21102	SEAL 50X70X8	1	LH260ATV.12.1	油封50X70X8
17	10057	BUSHING P23X20X15	1	GB12613-P23X20X15	轴套
18	21118	PINION SHAFT	1	LH260ATV.12-9	后桥输入轴
19	10058	BEARING 6306ST	1	GB/T296-6306ST	轴承
20	21120	RETAINER 30	1	LH260ATV.12-11	挡圈30
21	20901A	O-RING 79X2.65	1	LH260ATV.12-10	O型圈79X2.65
22	21122	INPUT COVER	1	LH260ATV.12-3	后桥前盖
23	10059	BOLT M8X25	10	GB16674.1-M8X25	螺栓
24	21124	SEAL 25X35X5	1	LH260ATV.12.2	油封25X35X5
25	25107	CLAMP	1	LH260ATV.12-12	卡箍
26	21125	REAR GEARBOX ASSY	1	LH260ATV.12	后桥总成
27	25609	O-RING 35.5X3.55	1	GB/T3452.1-35.5X3.55	O型圈35.5X3.55

↔ Interchangeable; ≠ Noninterchangeable; ← New for old → old for new

## 11 TRANSMISSION (FOR 4WD)



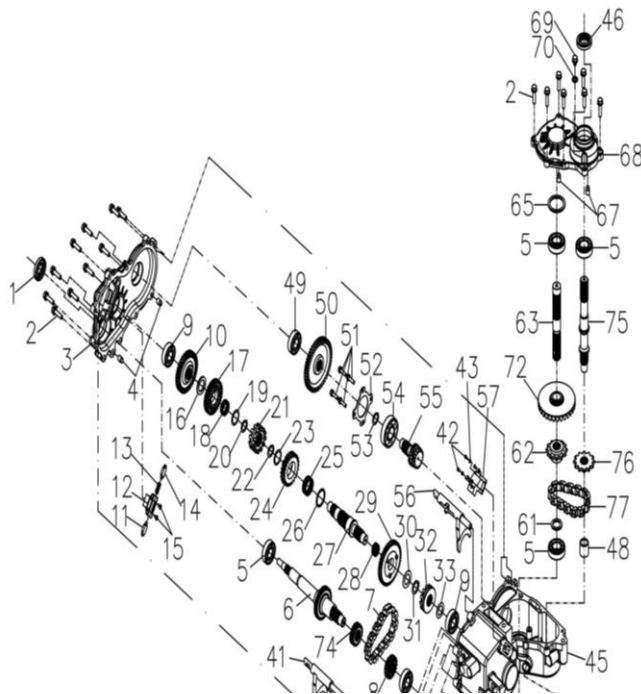
REF. No.	PART NO.	DESCRIPTION	Q'T	I/C	PIN	图号	名称
1	21201	SEAL 25X47X8	1			LH260ATV.17.7	油封25X47X8
2	10060	BOLT M8X28	17			GB/T5787	螺栓-M8X28
3	21203b	MAIN COVER (USE WITH HIGH-POWER CLUTCH)	1			LH260ATV.17-6b	变速箱左盖b(与大离合器配合使用)
4	21104	DOWEL PIN	2			LH260ATV.17-17	定位销
5	10061	BEARING 6205c3	4			GB/T276	轴承-6205C3
6	21206b	INPUT SHAFT (USE WITH HIGH-POWER CLUTCH)	1			LH260ATV.17.1-14d	主轴(与大离合器配合使用)
7	21207	CHAIN	1			LH260ATV.17.1.3	齿形链
8	21208	GEAR 16T	1			LH260ATV.17.1-12	低速主动齿轮
9	10062	BEARING 6204	3			GB/T276	轴承-6204
10	21210	GEAR, HELICAL 35T	1			LH260ATV.17.1-2	过渡齿轮1
11	21211	INTERLOCK PIN	2			LH260ATV.17-2	限位块
12	21212	INTERLOCK BRACKET	1			LH260ATV.17-4	限位块压板
13	21213	SPRING	1			LH260ATV.17-3	限位块弹簧



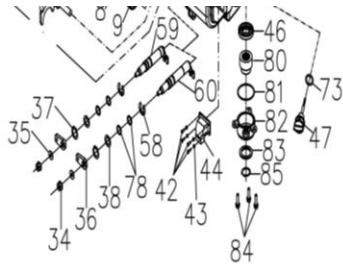
14	21211	INTERLOCK PIN	1	LH260ATV.17-2	限位块
15	10001	SCREW M5X12	2	GB/T818	螺钉-M5X12
16	21216	SPACER	1	LH260ATV.17.1-3	垫片25.5A
17	21217	GEAR 31T	1	LH260ATV.17.1-4	高速从动齿轮
18	21218	NEEDLE BEARING 25	1	LH260ATV.17.1.1	滚针轴承25X29X10
19	21219	THRUST WASHER	1	LH260ATV.17.1-5	垫片25.5B
20	10064	SNAP RING	1	GB/T894.1-25	挡圈 25
21	21221	DOG GEAR	1	LH260ATV.17.1-6	双面换挡盘
22	10065	SNAP RING	1	GB/T894.1	挡圈-32
23	21223	THRUST WASHER	1	LH260ATV.17.1-7	垫片32.5
24	21224	SPROCKET 24T	1	LH260ATV.17.1-8	从动链轮
25	21225	NEEDLE BEARING 25	1	LH260ATV.17.1.2	滚动轴承32
26	21223	THRUST WASHER	1	LH260ATV.17.1-7	垫片32.5
27	21327	SHAFT	1	LH260ATV.17.1-1	副轴
28	21218	NEEDLE BEARING 25	1	LH260ATV.17.1.1	滚针轴承25X29X10

↔ Interchangeable; ≠ Noninterchangeable; ← New for old → old for new

## 11 TRANSMISSION (FOR 4WD)



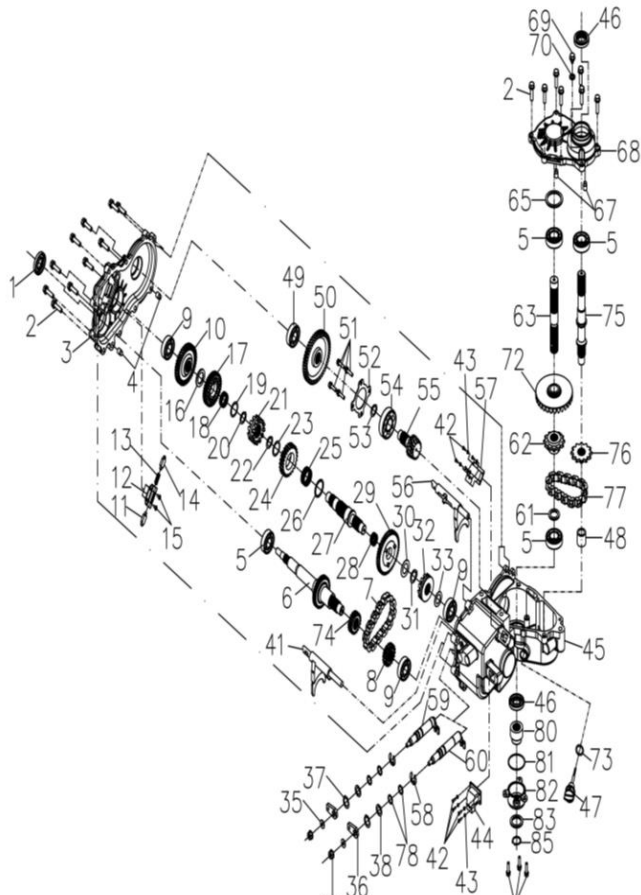
REF. No.	PART NO.	DESCRIPTION	Q'T Y	I/C	PIN	图号	名称
29	21329	GEAR 35T	1			LH260ATV.17.1-9	低速从动齿轮
30	21223	THRUST WASHER	1			LH260ATV.17.1-7	垫片32.5
31	10064	SNAP RING	1			GB/T894.1	挡圈-25
32	21332	ENGAGEMENT	1			LH260ATV.17.1-10	单面换挡盘
33	21333	THRST WASHER	1			LH260ATV.17.1-11	垫片20
34	10067	NUT M8	2			GB/T6184	锁紧螺母-M8
35	10068	WASHER 8	2			GB/T97.1-8	垫圈
36	21336	BELLCRANK	2			LH260ATV.17-8	花键板
37	10069	SNAP RING	2			GB/T894.1	挡圈-19
38	21338	WASHER	2			LH260ATV.17-9	垫圈A
39	21339	VENT TUBE	1			LH260ATV.17-7	通气管
40	21340	VENT TUBE FITTING	1			LH260ATV.17.2-1	通气嘴
41	21341	SHIFT FORK HIGH/REVERSE	1			LH260ATV.17-1	高速倒档拨叉
42	10007	SCREW M4	8			GB/T818	螺钉-M4X10
43	10071	WASHER 4	8			GB/T97.1	垫圈-4
44	21344	GEAR INDICATOR SWITCH	1			LH260ATV.19.10	上档显开关
45	21345	GEARCASE,RH	1			LH260ATV.17.2	变速箱组件
	21345b	GEARCASE,RH (USE WITH SPEED SENSOR)	1			LH260ATV.17.2a	变速箱组件(与传感器配合使用)
46	21201	SEAL 25X47X8	1			LH260ATV.17.6	油封25X47X8



47	21475	DIPSTICK	1	153FM.16-5	机油尺
48	10219	BUSHING	1	GB/T12613	轴套 P22X19X20
49	10063	BEARING 6204C3	1	GB/T276	轴承-6204C3
50	21350	GEAR HELICAL 46T	1	LH260ATV.17-16	过渡齿轮2
51	10073	SCREW M6X10	4	GB/T67-M6X10	螺钉
52	21351	BEARING RETAINER PLATE	1	LH260ATV.17-15	轴承挡板
53	21453	SNAP RING	1	LH260ATV.17-14	挡圈25
54	10074	BEARING 6305ST	1	GB/T276	轴承-6305ST
55	21455	PINION SHAFT 10T	1	LH260ATV.17-13	中间轴

↔ Interchangeable; ≠ Noninterchangeable; ← New for old → old for new

## 11 TRANSMISSION (FOR 4WD)



REF. No.	PART NO.	DESCRIPTION	Q'T Y	I/C	PIN	图号	名称
56	21456	SHIFT FORK LOW	1			LH260ATV.17-5	低速拨叉
57	21457	GEAR INDICATOR SWITCH	1			LH260ATV.19.11	下档显开关
58	10075	SNAP RING	2			GB/T896	开口挡圈-15
59	21459	SHIFT ROD LOW	1			LH260ATV.17.4	摇臂2
60	21460	SHIFT ROD HIGH/REVERSE	1			LH260ATV.17.3	摇臂1
61	21461	THRUST WASHER	1			LH260ATV.17-20	垫圈B
62	21483	SPORCKET 12T	1			LH260ATV.17-29S	后驱动轴链轮
63	21463	SHAFT REAR OUTPUTA (USE WITH SPEED SENSOR)	1			LH260ATV.17-19	后驱动轴 (与传感器配合使用)
65	21465	SHIM 1	1			LH260ATV.17-22	垫圈C
67	21104	DOWEL PIN	1			LH260ATV.17-17	定位销
68	21468t	COVER	1			LH260ATV.17-21S	变速箱前盖(四驱)
69	21469	DRAIN SCREW	1			LH260ATV.17.5	放油螺塞组件
70	21470	WASHER	1			LH260ATV.17-12	铝垫B
72	21462	GEAR	1			LH260ATV.17-18	后驱动轴锥齿轮
73	10122	O RING 18X2.65	1			GB3452.1-82	O型圈18X2.65
74	21477	SPROCKET	1			LH260ATV.17.1-13	小链轮
75	21480	SHAFT FRONT OUTPUT	1			LH260ATV.17-28S	前驱动轴(四驱)
76	21481	SPORCKET 12T	1			LH260ATV.17-27S	前驱动轴链轮(四驱)
77	21482	CHAIN	1			LH260ATV.17.6S	滚子链(四驱)
78	10123	O RING 14X2.65	4			GB/T3452.1	O型圈14X2.65
80	25511A	COLLAR	1			LH260ATV.17.8.1	传感器隔套
81	25512	O RING 50X1.5	1			LH260ATV.17.8-1	O型圈50X1.5
82	25513A	SPEED SENSOR COVER	1			LH260ATV.17.8-2	传感器装配外壳
83	27068	SEAL30X40X5	1			GB/T9877.1	油封30X40X5

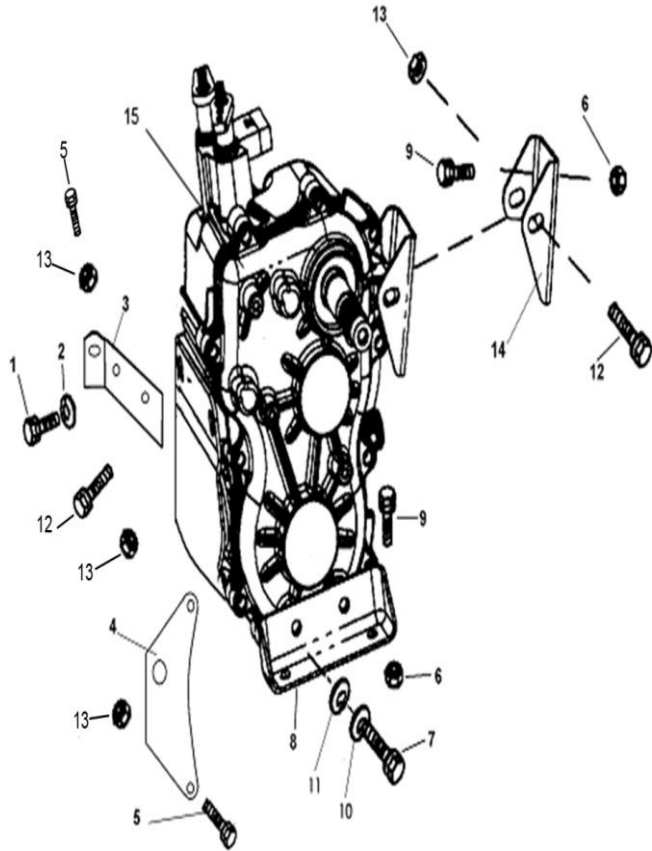


34<sup>u</sup> 84<sup>v</sup>

84	10010	BOLT	3	GB/T16674.1	螺栓M6X15
85	10164	CLAMP 24	1	GB/T894.1	挡圈 24

↔ Interchangeable; ≠ Noninterchangeable; ← New for old → old for new

## 12 SUPPORT BRACKET



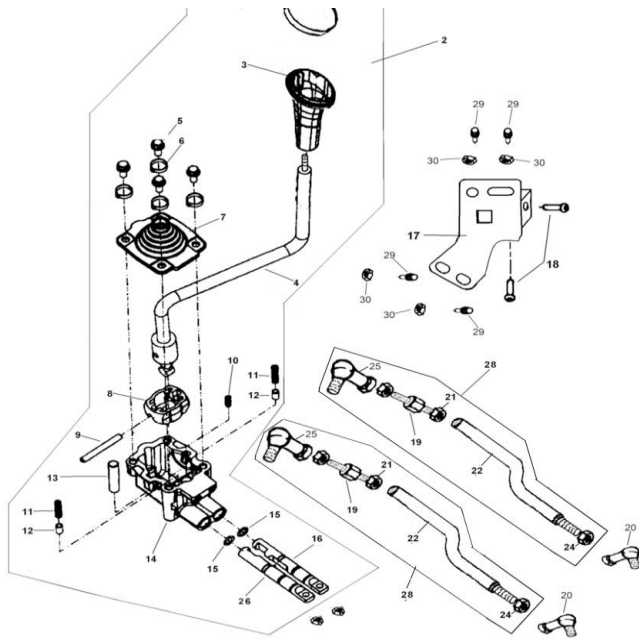
REF. No.	PART NO.	DESCRIPTION	Q'T Y	I/C	PIN	图号	名称
1	10076	BOLT M12X20	2			GB/T70.1-M12X20	内六角螺栓
2	10054	WASHER 12	2			GB/T93-12	弹垫
3	27292	TRANSMISSION MOUNTING BRACKET RIGHT	1			LH400ATV.20.2	右摇臂连接板
4	21504	TRANSMISSION MOUNTING BRACKET LEFT	1			LH260ATV.20.4	左摇臂连接板
5	20909	BOLT M10X1.25x62.5	3			LH260ATV.4-2	螺栓-M10X1.25x62.5
6	10079	NUT M8	4			GB/T6187	螺母-M8
7	10028	BOLT M10X25	2			GB/T5783	螺栓-M10X25
8	21508	TRANSMISSION MOUNTING BRACKET BOTTOM	1			LH260ATV.1-7	变速箱左下安装板
9	10059	BOLT M8X25	4			GB/T5787	螺栓-M8X25
10	10027	WASHER 10	2			GB/T93	弹垫-10
11	10019	WASHER	2			GB/T97.1	垫圈-10
12	10084	BOLTM10X1.25X70	2			GB/T5785	螺栓-M10X1.25X70
13	10015	NUT M10	4			GB/T6187	螺母-M10X1.25
14	21514	TRANSMISSION MOUNTING BRACKET REAR	1			LH260ATV.1-8	变速箱上安装板
15	21515sc	TRANSMISSION ASSY(4WD、 FOR SPEED SENSOR、 FOR HIGH-POWER CLUTCH)	1			LH260ATV.17s(c)	变速箱(4驱、配传感器、配大离合器)

↔ Interchangeable; ≠ Noninterchangeable; ← New for old → old for new

## 13 SHIFT ROD



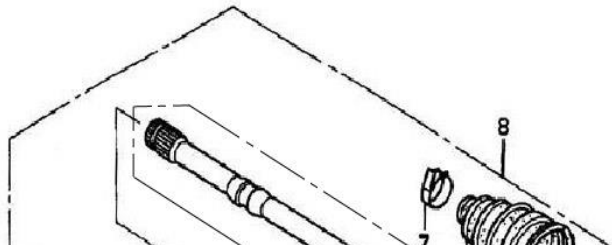
REF. No.	PART NO.	DESCRIPTION	Q'T Y	I/C	PIN	图号	名称
1	21601a	LABLE	1			LH260ATV.18.1 a .3-1	贴花



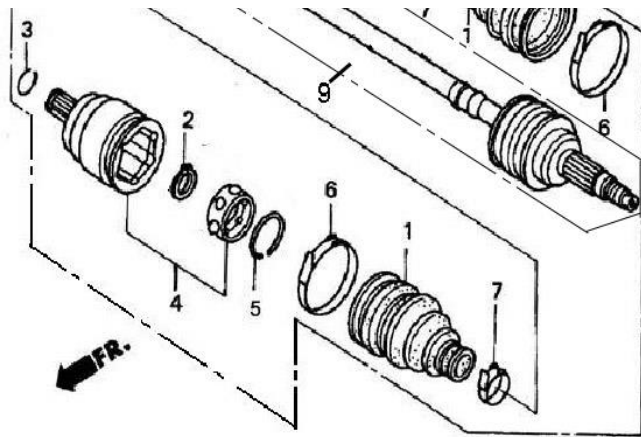
2	21729B	SHIFTER ASSY MOUNTING	1	LH260ATV.18.1a	换挡器
3	21603A	KNOB	1	LH260ATV.18.1 a .3-2	球头
4	21604a	SHIFT LEVER	1	LH260ATV.18.1a.1	转动杆组件
5	10086	BOLT M6X12	4	GB5783	螺栓-M6X12
6	10006	WASHER 6	4	GB97.1-6	弹垫6
7	21607A	BOOT	1	LH260ATV.18.1a.2	橡胶上盖
8	21608A	PLASTIC SPHERE	1	LH260ATV.18.1a-2	固定球
9	21609A	GROOVE PIN	1	LH260ATV.18.1a-3	销
10	21610A	CENTERING SPRING	1	LH260ATV.18.1a-8	小弹簧
11	21611A	DETENT SPRING	2	LH260ATV.18.1a-7	大弹簧
12	21612A	DETENT BULLET	2	LH260ATV.18.1a-9	定位销
13	21613A	DOWEL PIN	1	LH260ATV.18.1a-6	限位销
14	21614A	SHIFFER HOUSING	1	LH260ATV.18.1a-1	换挡器壳体
15	21615	O-RING	2	GB/T3452.1	O型圈9.5X1.8
16	21616A	SELECTOR SLIDES HIGH/REVERSE	2	LH260ATV.18.1a-5	高速、倒档滑杆
17	21617a	SHIFTER MOUNTING BRACKET	1	LH260ATV-B.11.4	换挡器安装板组件
18	10086	BOLT M6X12	4	GB/T16674.1-M6X12	螺栓M6X12
19	21619	SHIFT ROD COUPLER	2	LH260ATV.18.3-1	倒档拉杆A
20	21620	SHIFT ROD END CW	2	LH260ATV.18.2.1	换挡接头2
21	10090	JAM NUT M6 CW	4	GB/T6170-M6	螺母M6
22	25254	SHIFT ROD HIGH/REVERSE	2	LH260ATV-B.11-2	高速、倒档拉杆
24	21624	JAM NUT CCW	2	LH260ATV.18.2-2	锁紧螺母
25	21625	SHIFT ROD END CCW	2	LH260ATV.18.2.2	换挡接头1
26	21626	SELECTOR SLIDES LOW	1	LH260ATV.18.1-14	低速滑杆
28	25256	SHIFTER MOUNTING ROD	2	LH260ATV-B.18.2	换挡拉杆组件
29	11108	BOLT M6X40	4	GB/T5782-M6X40	螺栓-M6X40
30	10104	NUT M6	4	GB/T6184-M6	螺母M6

↔ Interchangeable; ≠ Noninterchangeable; ← New for old → old for new

### 14 FRONT DRIVE AXLE (FOR 4WD)



REF. No.	PART NO.	DESCRIPTION	Q'T	I/C	PIN	图号	名称
1	24403	OUTER BOARD BOOT	4			LH260ATV.6.5-5	防尘套
2	24407	CIRCLIP 20	2			GB/T894.1	卡簧 20
3	24405	ATOPPER RING	2			LH260ATV.6.5-16	卡圈C
4	25244	JOUNT,INBOARD(CONTAIN INBOARD	2			LH260ATV.6.5-13	内球笼轴
	25535	AXLE STEEL BALL BRACKET STEEL	2			LH260ATV.6.5-12	内球笼星型架
	25534	BALL AND GEAR WHEEL)	2			LH260ATV.6.5-11	内球笼保持架
	25533		6			LH260ATV.6.5-10	内球笼钢球

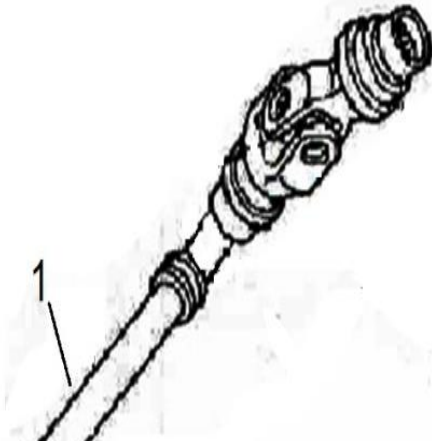


5	STOPPER RING	2	LH260ATV.6.5-9	卡圈A
24409				
6	BOOT BAND B	4	LH260ATV.6.5-4	大卡箍
24404				
7	BOOT BAND A	4	LH260ATV.6.5-6	小卡箍
24402				
8	FRONT DRIVE AXLE	2	LH260ATV-B.19	前球笼总成
25274				
9	DRIVE AXLE/OUTER CV JOINT ASSEMBLY	2	LH260ATV-B.19-1	外球笼轴
/		2	LH260ATV.6.5-2	外球笼保持
/		2	LH260ATV.6.5-3	外球笼钢球
/		12	LH260ATV.6.5-3	外球笼钢球
/		2	LH300CUV.19-2	传动轴
/		2	LH260ATV.6.5-16	卡圈C φ20
/		2	LH260ATV.6.5-15	外球笼星型轮

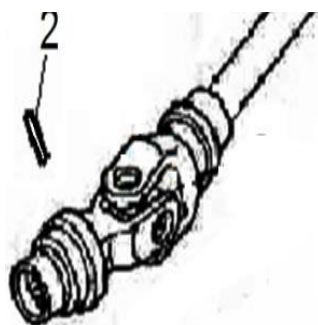
装配成一体

↔ Interchangeable; ≠ Noninterchangeable; ← New for old → old for new

### 15 FRONT KNUCKLE ASSY

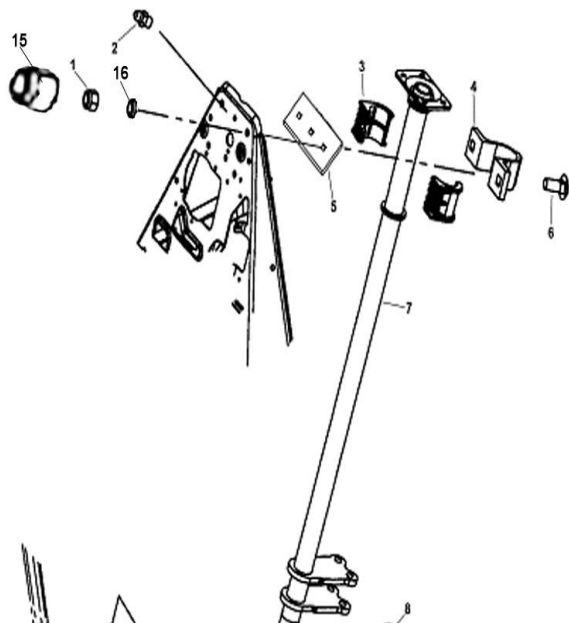


REF. No.	PART NO.	DESCRIPTION	Q'T	I/C	PIN	图号	名称
1	24437	FRONT KNUCKLE	1			LH260ATV.13.3	前轴万向节A
2	20716	KERBSTIFTE	1			LH260ATV.13-1	弹性销

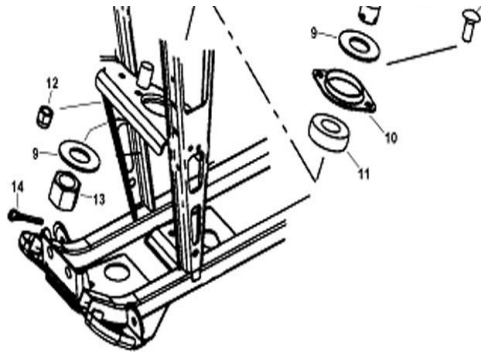


↔ Interchangeable; ≠ Noninterchangeable; ← New for old → old for new

## 16 STEERING COLUMN

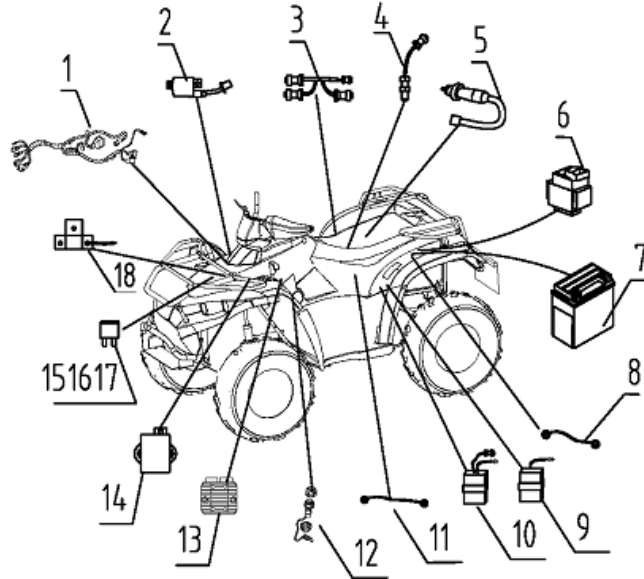


REF. No.	PART NO.	DESCRIPTION	Q'T Y	I/C	PIN	图号	名称
1	10079	NUT M8	2			GB/T6187-M8	螺母
2	10026	GREASE FITTING	1			LH260ATV.1.7-3	油杯
3	21903	BUSHING	2			LH260ATV.1.7-2	安装套
4	21904	STEERING CLAMP REAR	1			LH260ATV.1.7-1	方向柱上安装固定座
5	21905	STEERING CLAMP FRONT	1			LH260ATV.1.7-6	方向柱上缓冲垫
6	21906	BOLT	2			LH260ATV.1.7-3	异形螺栓
7	21907f	STEERING COLUMN (608 MM LENGTH)	1			LH260ATV.1.7.1a	方向柱焊接组件
8	21906	BOLT	2			LH260ATV.1.7-3	异形螺栓
9	21909	WASHER	2			LH260ATV.1.7-5	垫片
10	21910	BEARING RETAINER	1			LH260ATV.1.7-4	轴承盖帽
11	21911	BEARING	1			LH260ATV.1.20	轴承CS205LU
12	10079	NUT M8	2			GB/T6187-M8	螺母
13	10100	STEERING COLUMN RETAINER NUT	1			GB/T9459-M24X2	开槽螺母
14	10101	COTTER PIN	1			GB/T91-5X40	开口销
15	27256	PROTECT COVER	2			LH260ATV.1.7-7	保护罩
16	10106	SPRING WASHER	2			GB/T93	弹垫 8



↔ Interchangeable; ≠ Noninterchangeable; ← New for old → old for new

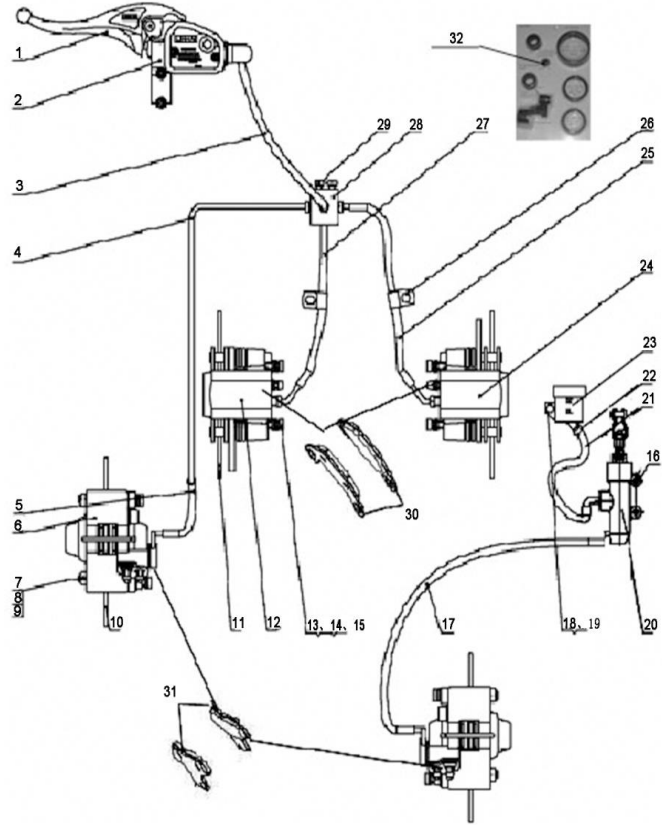
### 17 ELECTRICAL SYSTEM



REF. No.	PART NO.	DESCRIPTION	Q'T	I/C	PIN	图号	名称
1	27768	WIRING HARNESS	1			4AS-82500-01	电缆总成 (美标使用)
2	22012	IGNITION COIL AND WIRE	1			170M.6.2	高压包
3	25309	GEAR SENSOR HARNESS (FOR 05 AND BEFORE MODEL)	1			4AL-83701-00	齿轮传感器过渡线
4	25310	GEAR SENSOR (FOR 05 AND BEFORE MODEL)	1			4AL-83700-01	齿轮传感器
5	70405a	BRAKE SWITCH (USED FOR WATERPROOF PLUG IN UNIT)	1			LH520ATV.23.14f	刹车开关(防水插件专用)
6	22004	STARTER RELAY	1			3AB-81900-00	启动继电器
7	70407a	BATTERY	1			4AB-82110-00	电瓶18Ah
8	32003	BATTERY CABLE POSITIVE	1			LH260ATV.19.2a-1	电瓶火线
9	32038	REVERSE GEAR WARNING (FOR 4WD)	1			4AL-82600-00	倒挡蜂鸣器
10	22002a	REVERSE SPEED LIMITER (FOR 50TH MODEL)	1			4AL-82601-00	限速器(50TH纪念款专用)
11	32006	BATTERY CABLE GROUND	1			LH260ATV.19.2a-2	电瓶地线
12	70400	ACCESSORY SOCKET ASSY	1			LH520ATV.23.12	充电器组合
13	27747	REGULATOR RECTIFIER	1			3AB-81901-00	整流稳压器
14	22001A	CDI	1			1BB-85640-02	CDI
15	22019	7.5 AMP FUSE	1			B31207A	7.5安培保险丝
16	22020	15 AMP FUSE	2			B31215A	15安培保险丝
17	22021	3 AMP FUSE	1			B31203	3安培保险丝
18	32044	RESISTANCE	1			3AW-82130-00	电阻

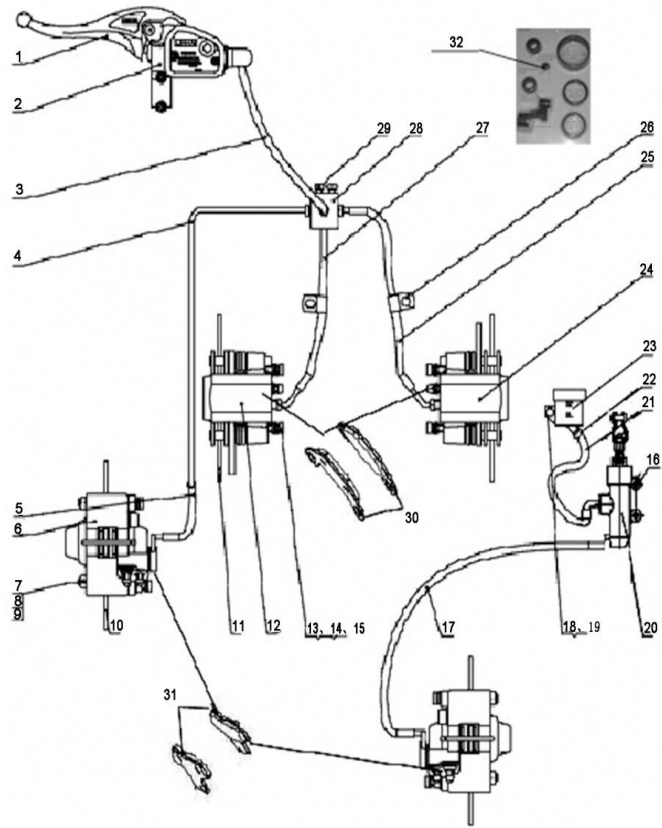
↔ Interchangeable; ≠ Noninterchangeable; ← New for old → old for new

## 18 BRAKING SYSTEM (FOR USA)



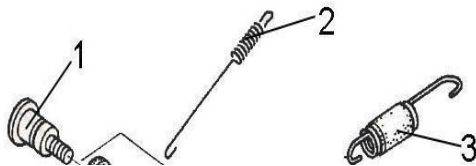
REF. No.	PART NO.	DESCRIPTION	Q'T Y	I/C	PIN	图号	名称
1	221120	BRAKE LEVER	1			LH260ATV.5.1-3	刹车把手
2	22101	MASTER CYLINDER	1			LH260ATV.5.1.2	主制动泵
3	27683	HAND BRAKE HOSE	1			LH260ATV.5.1.3	碟刹油管
4	22103	REAR BRAKE HOSE	1			LH260ATV.5.1.4	后刹油管
5	25130	REAR HAND BRAKE HOSE	1			LH260ATV-B.25-1	后刹软管
6	22250	BRAKE CALIPER LEFT REAR	2			LH260ATV.5.1C.2	后碟刹下泵
7	10102	BOLT M10X1.25X83	4			M10X1.25X83	螺栓
8	10019	WASHER 10	4			GB/T97.1-10	垫圈
9	10015	NUT M10X1.25	4			GB/T6187-M10X1.25	螺母
10	32115	REAR DISC BRAKE	2			LH260ATV.5.1-2	后碟刹盘
11	22226	FRONT BRAKE DISC	2			LH260ATV.5.1-1	前碟刹盘
12	22114	BRAKE CALIPER LEFT FRONT	1			LH260ATV.5.1.6	前刹下泵2
13	10105	BOLT M8X25	4			GB/T5782-M8X25	螺栓
14	10106	WASHER 8	4			GB/T93-8	弹垫
15	10068	WASHER 8	4			GB/T97.1-8	垫圈
16	10110	BOLT M6X20	2			GB/T16674.1-M6X20	螺栓
17	25131	FOOT BRAKE HOSE	1			LH260ATV-B.25-2	脚刹油管1
18	10004	NUTM5	1			GB/T6187-M5	螺母
19	10108	BOLT M5X12	1			GB/T16674.1-M5X12	螺栓
20	25132	DONKEY PUMP	1			LH260ATV-B.24.1	脚刹泵
21	25262	RESERVOIR HOSE	1			LH260ATV-B.24.1-7	油杯软管
22	22124	CLAMP	2			LH260ATV.5.1-5	卡箍
23	32226A	RESERVOIR	1			LH260ATV.5.1b.3	油杯
24	22227	BRAKE CALIPER RIGHT FRONT	1			LH260ATV.5.1.10	前刹下泵
25	22228	FRONT BRAKE HOSE 1	1			LH260ATV.5.1.11	前刹油管1
26	21811	CLAMP	2			LH260ATV.5.1.1	碟刹油管固定卡
27	22229	FRONT BRAKE HOSE 2	1			LH260ATV.5.1.12	前刹油管2
28	22230	BRAKE LINE COUPLER	1			LH260ATV.5.1-6	四通
29	10111	SCREW M5X15	2			GB/T818-M5X15	十字槽盘头螺钉

## 18 BRAKING SYSTEM (FOR USA)

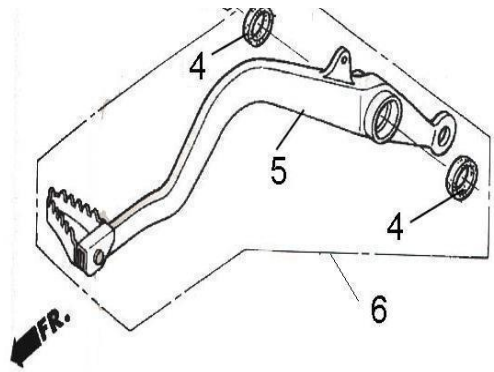


REF. No.	PART NO.	DESCRIPTION	Q'T	I/C	PIN	图号	名称
			Y				
30	22245	INSIDE AND OUTSIDE PAD(FOR FRONT BRAKE CALIPER )	4			T000402	前碟刹下泵内、外蹄片
31	22111	INSIDE AND OUTSIDE PAD(FOR REAR BRAKE CALIPER)	4			T000403	后刹下泵内、外蹄片
32	25135	ZJ USA Service Kit (FOR USA)	1			LH260ATV-B.GJ.1.1包	美标碟刹专用维修

## 19 PEDAL,BRAKE



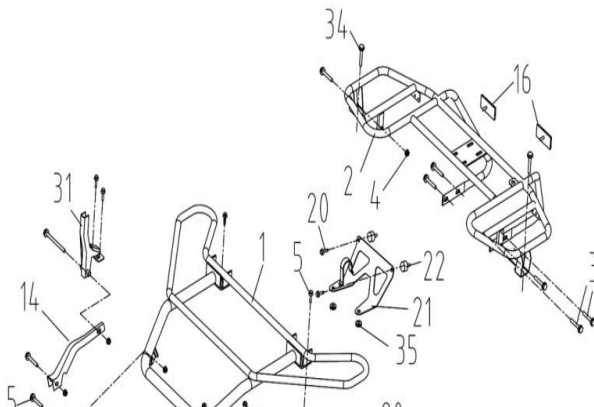
REF. No.	PART NO.	DESCRIPTION	Q'T	I/C	PIN	图号	名称
			Y				
1	70542	SHAFT,BRAKE PIVOT	1			LH520ATV.24.9-2	台阶轴螺栓
2	32246	SPRING,STOP SWITCH	1			LH260ATV.19 (B) -1	回位簧
3	25539	SPRING ASSY	1			LH260ATV.15-3	开关拉簧
4	70540	DUST SEAL	2			LH520ATV.24.9-2	油封 15X20X2.5
5	25146	PEDAL BRAKE	1			LH260ATV-B.24.2.1	脚刹踏板焊接组件



6 25147 PEDAL BRAKE ASSY 1 LH260ATV-B.24.2 脚踏杆组件

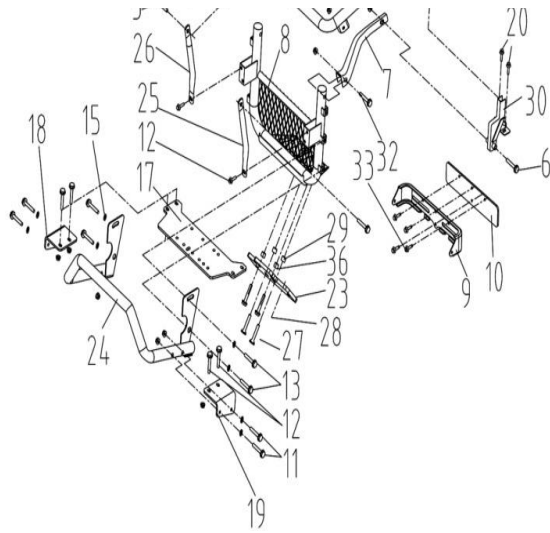
↔ Interchangeable; ≠ Noninterchangeable; ← New for old → old for new

## 20 BUMPER & RACK



REF. No.	PART NO.	DESCRIPTION	Q'T Y	IC	PIN	图号	名称
1	27439	FRONT RACK	1			4AD-24810-10	前货架
2	35527	REAR RACK	1			4AV-24820-00	后货架
3	11101	BOLTM8X45	4			B11A30845R	螺栓 M8X45
4	10882	NUT M8	4			B51F30800R	螺母 M8
5	11102	BOLT M8X25	4			B11B30825R	螺栓 M8X25
6	11103	BOLT M8X85	2			B11A30885R	螺栓M8X85
7	27440	TRESTLE 1 LEFT	1			4AD-21240-10	保险杠左安装支架
8	25311	BUMPER BRACKET	1			4AD-21270-20	前保险杠安装支架
9	20413	DOWN BRACKET RADIATOR	1			LH260ATV.1-1	水箱下安装支架
10	20414	SPACER RUBBER	1			LH260ATV.1-10	水箱下安装支架缓冲垫
11	10780	BOLT M8X55	6			B11A30855R	螺栓 M8X55

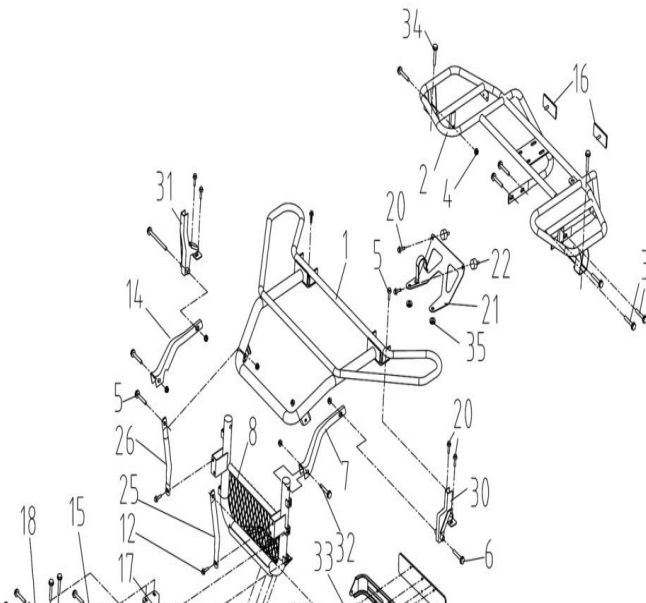




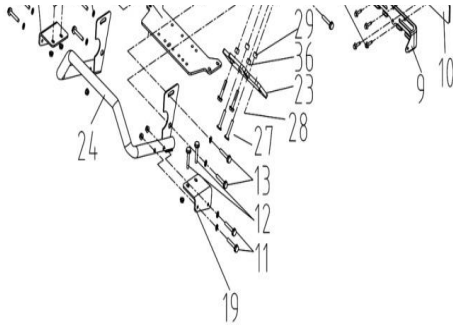
12	10783	BOLT M8X20	4	B11A30820R	螺栓 M8X20
13	10059	BOLT M8X25	6	B11A30825R	螺栓 M8X25
14	27442	TRESTLE 1 RIGHT	1	4AD-21250-10	保险杠右安装支架
15	26009	WASHER 8	8	B612308000	垫片 8
16	70779	FRONT REFLECTER (RED)	2	T001102	反射器 (红色)
17	35848	BRACKET,PULLING	1	4AB-28520-00	牵引器安装板
18	27387	HOLDER,R.PULLIN BRACKET	1	4AD-28501-00	牵引器右安装支架
19	27386	HOLDER,L.PULLIN BRACKET	1	4AD-28500-00	牵引器左安装支架
20	10140B	BOLT M6X12	6	B11A30612R	螺栓M6X12
21	20412	UP BRACKET RADIATOR	1	LH260ATV.1-2	水箱上安装板
22	20316	RUBBER PAD	2	LH260ATV.1.15	弹性安装螺母
23	36458	SNOW SHOVEL MOUNTING PLATE	1	4BE-21502-00	美国雪铲连接板
24	27443	FRONT BUMPER	1	4AD-28510-10	前保险杠
25	27444	FRONT SUPPORT TUBE,L	1	4AD-24820-10	前左支撑管
26	27445	FRONT SUPPORT TUBE,R	1	4AD-24830-10	前右支撑管
27	11074	BOLT M8X35	2	B2AC30835R	内六角沉头螺栓M8X35

↔ Interchangeable; ≠ Noninterchangeable; ← New for old → old for new

## 20 BUMPER & RACK

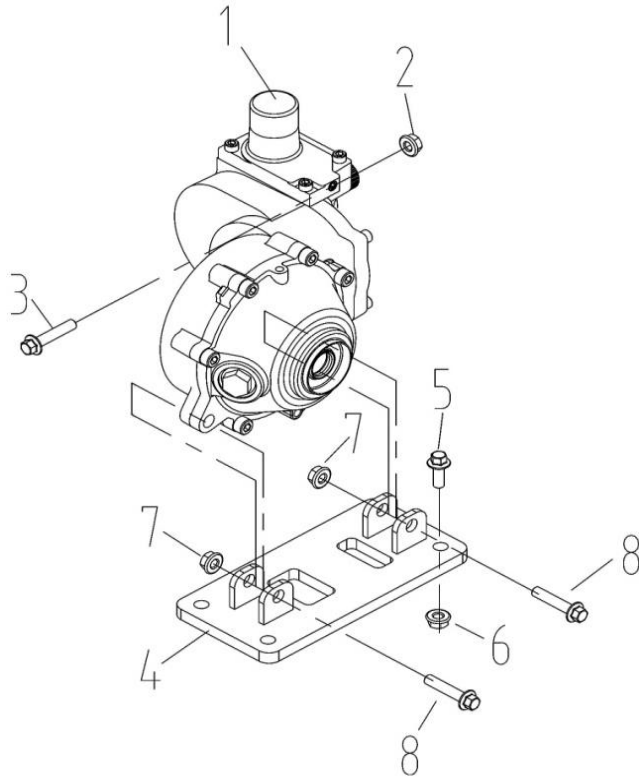


REF. No.	PART NO.	DESCRIPTION	Q'T Y	IC PIN	图号	名称
28	11104	BOLT M10X1.25X50	2	B12C31050A		螺栓M10X1.25X50
29	35849	SHOVEL MOUNTING SPACER A	2	4AV-21271-00		9.8级雪铲安装隔套
30	27360	TRESTLE L	1	LH400ATV-2B.21.2		前货架左安装支架
31	27358	TRESTLE R	1	LH400ATV-2B.21.1		前货架右安装支架
32	10403	BOLT M8X50	2	B11A30850R		螺栓M8X50
33	10187	BOLT M6X25	8	B11A30625R		螺钉M6X25
34	11105	BOLT M6X35	2	B11A30635R		螺钉M6X35
35	22917	RADIATOR SIDE SUPT GROMMET	2	1BB-12463-00		减震器套1
36	25312	SHOVEL MOUNTING SPACER B	2	4AD-21271-00		雪铲安装隔套(300,400ATV专用)



↔ Interchangeable; ≠ Noninterchangeable; ← New for old → old for new

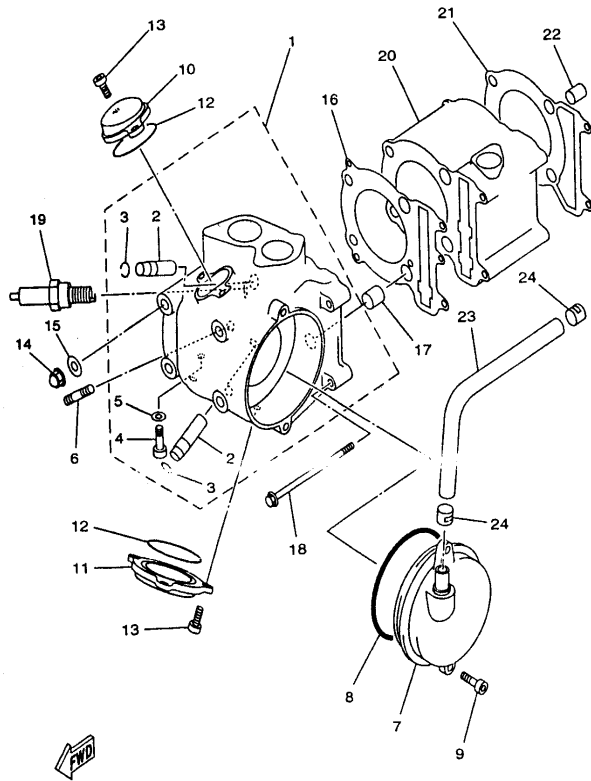
## 21 FRONT GEAR-BOX BRACKET



REF. No.	PART NO.	DESCRIPTION	Q'T Y	I/C	PIN	图号	名称
1	24445	FRONT GEAR-BOX ASSY.	1			LHTY.1	前桥总成
2	10079	NUT M8	1			GB/T6187	螺母M8
3	29506	BOLT M8x55	1			GB/T16674.1-M8X55	螺栓 M8X55
4	22325f	BRACKET, FRONT GEAR-BOX ASSY.	1			LH260ATV.1.16	四轮驱动前桥安装板
5	10015	NUT M10x1.25	4			GB/T6187	螺母M10x1.25
6	10588	BOLT M10x1.25x20	4			GB/T5783-M10X1.25X20	螺栓 M10X1.25X20
7	11109	NUT M10x1.25	2			GB/T6087.1	螺母M10x1.25
8	70073	BOLT M10x1.25x50	2			LH260ATV.1-20	螺栓M10X1.25X50

↔ Interchangeable; ≠ Noninterchangeable; ← New for old → old for new

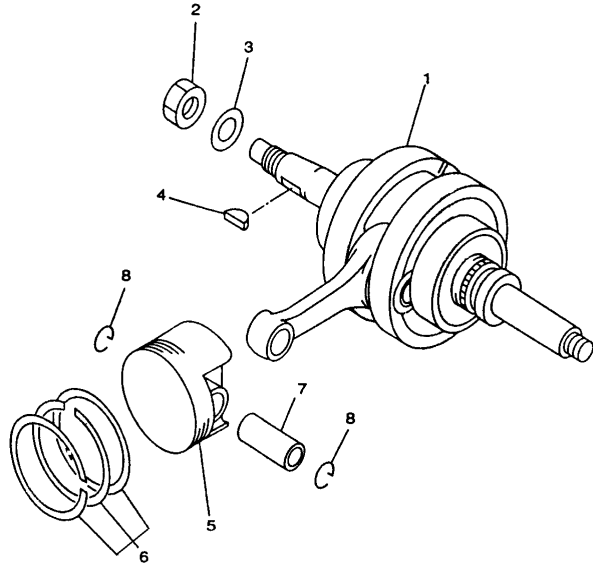
## 22 CYLINDER



REF. No.	PART NO.	DESCRIPTION	Q'T	I/C	PIN	图号	名称
1	22401B-xa	CYLINDER HEAD ASSY (FOR ATV300)	1			173M.1.1	汽缸头组件(ATV300)
2	22402	GUIDE INTAKE VALVE	2			170M.1.1-2	气门导管
3	10112	CIRCLIP 12	2			170M.1.1-6	钢丝挡圈 12
4	10086	BOLT M6X12	1			GB5783-M6X12	螺栓
5	22810	GASKET 6	1			170M.1-9	垫圈6
6	10014	BOLT STUD M8X25	2			GB898-M8X25	双头螺栓
7	25604	BREATHER ASSY	1			170M.1.2	呼吸盘组件
8	22408	O-RING 95X3.3	1			170M.1.2-5	O型圈95X3.3
9	10008	BOLT SOCKET HEAD M6X20	2			GB70-M6X20	内六角螺栓
10	22410	VALVE COVER INTAKE SIDE	1			170M.1-1	进气门盖
11	22411	VALVE COVER EXHAUST SIDE	1			170M.1-3	排气门盖
12	22412	O-RING 57.5X2.3	2			170M.1-2	O型圈57.5X2.3
13	10008	BOLT SOCKET HEAD M6X20	5			GB70-M6X20	内六角螺栓M6X20
14	22414	NUT CROWN M8	4			170M.4-1	盖型螺母M8
15	22415	WASHER PLATE 8	4			170M.4-2	垫圈8
16	22416a	GASKET CYLINDER HEAD2 (FOR ATV300)	1			173M.1.3	缸盖垫(ATV300)
17	22417	PIN DOWEL 14X16	2			170M.1-6	缸盖销14X16
18	22418	BOLT FLANGE M6X120	2			170M.4-4	螺栓M6X120
19	22419	PLUG SPARK(NGK DR8EA)	1			170M.1.5	火花塞DR8EA
20	22420a	CYLINDER (FOR ATV300)	1			173M.1-5	缸体(ATV300)
21	22421	GASKET CYLINDER	1			170M.1-4	缸体垫
22	22422	PIN DOWEL 10X14	2			1E52FM010011	缸体销10X14
23	22423	PIPE BREATHER1	1			170M.1.2-4	呼吸管
24	43514	CLIP 12MM	2			170M.20-4	卡圈13

↔ Interchangeable; ≠ Noninterchangeable; ← New for old → old for new

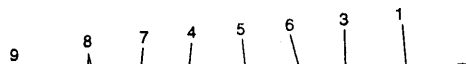
### 23 CRANKSHAFT COMP



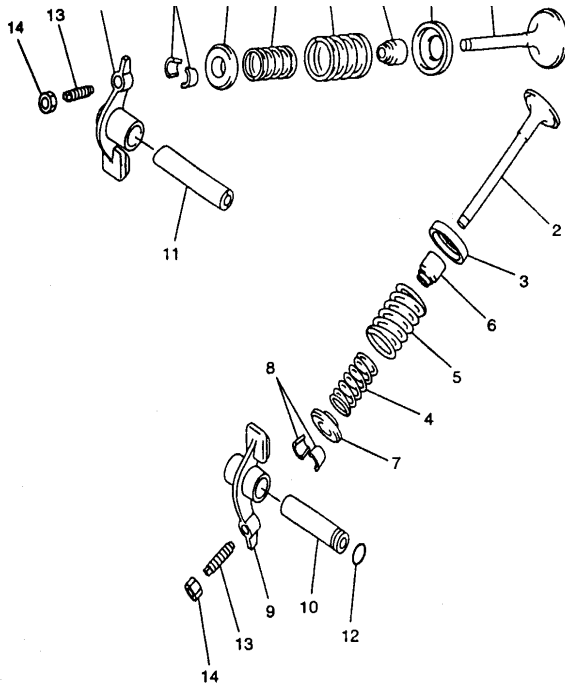
REF. No.	PART NO.	DESCRIPTION	Q'T Y	I/C	PIN	图号	名称
1	22501	CRANKSHAFT ASSY	1			170M-A.3.2	曲轴连杆组件
2	22502	NUT M16X1	1			170M.3-1	锁紧螺母M16X1
3	22503	WASHER PLATE 16	1			170M.3-2	垫圈16
4	22504	KEY WOODRUFF	1			170M.3-3	半圆键
5	22505A	PISTON (FOR ATV300)	1			173M.3-6	活塞(ATV300)
6	22506a	PISTON RING SET (FOR ATV300)	1			173M.3-7/173M.3-8/173M.3.2	活塞环(ATV300)
7	22507	PISTON PIN	1			170M.3-5	活塞销
8	22508	CLIP	2			170M.3-4	活塞销挡圈

↔ Interchangeable; ≠ Noninterchangeable; ← New for old → old for new

### 24 VALVE



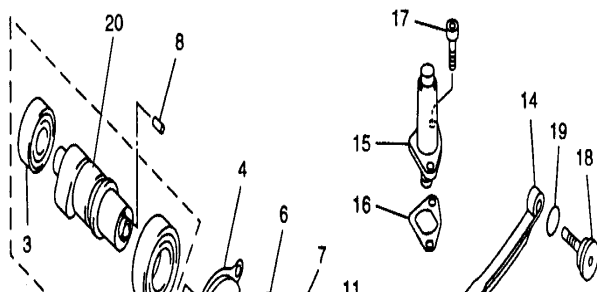
REF. No.	PART NO.	DESCRIPTION	Q'T Y	I/C	PIN	图号	名称
1	22601	INTAKE VALVE	1			170M.12-11	进气门
2	22602	EXHAUST VALVE	1			170M.12-3	排气门
3	22603	SEAT SPRING VALVE	2			170M.12-12	气门弹簧座



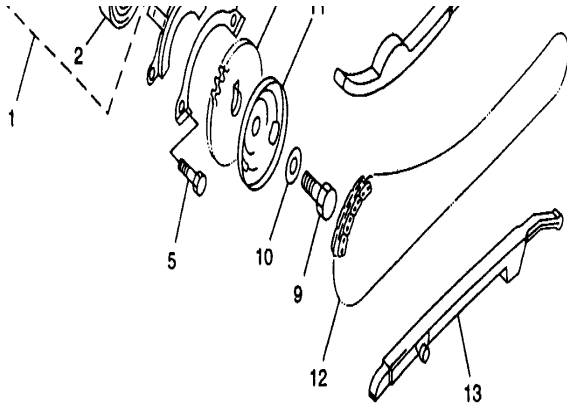
4	22604	SPRING VALVE INNER	2	170M.12-10	气门内弹簧
5	22605	SPRING VALVE OUTER	2	170M.12-9	气门外弹簧
6	22606	SEAL VALVE STEM	2	170M.12.1	气门杆油封组件
7	22607	RETAINER SPRING VALVE	2	170M.12-5	气门弹簧上座
8	22608	COTTER VALVE	4	170M.12-4	气门锁夹
9	22609	ROCKER ARM VALVE	2	170M.12.2	气门摇臂组件
10	22610	EXHAUST ROCKER SHAFT	1	170M.12-6	排气门摇臂轴
11	22611	INTAKE ROCKER SHAFT	1	170M.12-8	进气门摇臂轴
12	22612	O-RING 9X2	1	170M.12-7	O型圈9X2
13	22613	ADJUSTING SCREW VALVE	2	170M.12-2	气门调节螺钉
14	22614	NUT M6X0.75	2	170M.12-1	气门调节螺母M6X0.75

↔ Interchangeable; ≠ Noninterchangeable; ← New for old → old for new

## 25 CAMSHAFT CHAIN



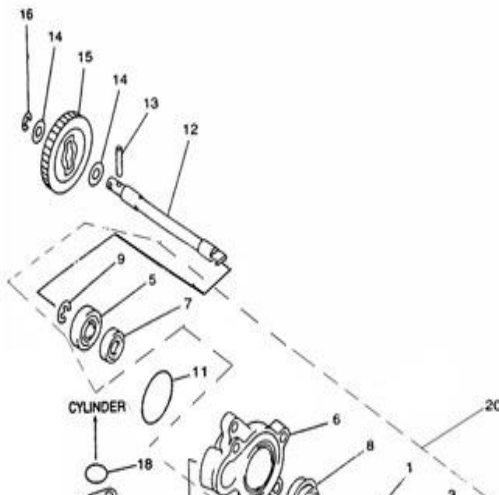
REF. No.	PART NO.	DESCRIPTION	Q'T	I/C	PIN	图号	名称
1	22701	CAMSHAFT ASSY1	1		170M.2		凸轮轴组件
2	10012	BEARING	1		GB276		轴承-6005/P5
3	10013	BEARING(B6202Z)	1		GB276		轴承-60202/P5
4	22704	PLATE	1		170M.2-3		压紧盘
5	10128	BOLT M6X12	2		GB5783		螺栓-M6X12
6	22706	LOCK WASHER	1		170M.2-2		压紧垫片
7	22707	CAM CHAIN SPROCKET	1		170M.2-4		正时传动链轮
8	10024	DOWEL PIN B4X10	1		GB119		凸轮轴定位销-B4X10
9	10025	BOLT M10X1.25X25	1		GB5786		螺钉-M10X1.25X25



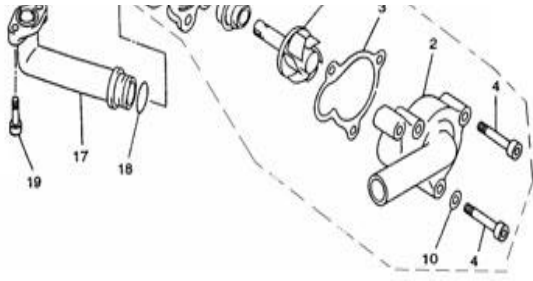
10	22710	WASHER PLATE 10	1	170M.2-6	垫片10
11	22711	BREATHER PLATE2	1	170M.2-5	呼吸盘2
12	22712	CHAIN	1	170M.14.2	正时链条
13	22713	GUIDE STOPPER1	1	170M.14.4	正时链条导杆
14	22714	GUIDE STOPPER2	1	170M.14.3	正时链条拉力杆组件
15	22715	CAM CHAIN TENSIONER ASSY	1	170M.14.1	正时链条调整器组件
16	22716	GASKET TENSIONER CASE	1	170M.14-1	正时链条调整器垫片
17	10036	SOCKET HEAD BOLT M6X14	2	GB70-M6X14	内六角螺钉
18	22718	CHAIN TENSIONER PIVOT BOLT	1	170M.14-2	拉力杆螺钉
19	22719	O-RING 14.5X1.8	1	170M.14-3	O型圈14.5X1.8
20	22720	CAMSHAFT	1	170M.2-1	凸轮轴

↔ Interchangeable; ≠ Noninterchangeable; ← New for old → old for new

## 26 CAMSHAFT CHAIN



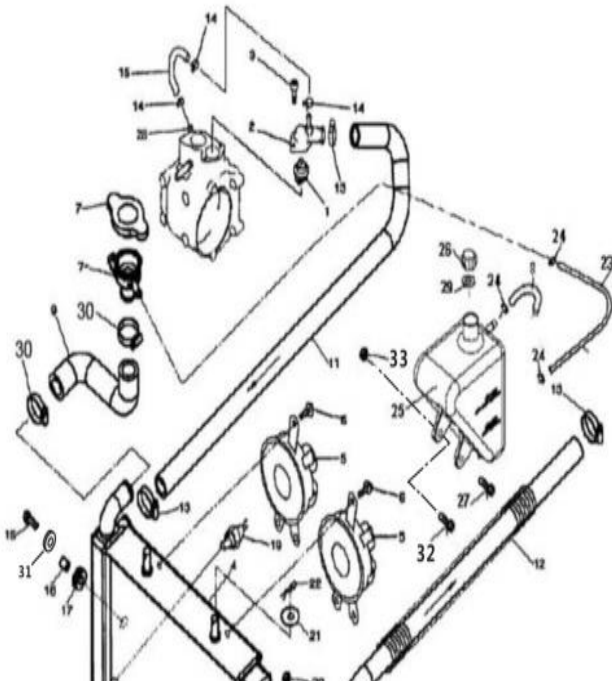
REF. No.	PART NO.	DESCRIPTION	Q'T	I/C	PIN	图号	名称
1	22801a	IMPELLER SHAFT ASSY (ADC12)	1		170M.15.4a		叶轮组件 (铝合金材质)
2	22802	HOUSING COVER	1		170M.15-2		泵盖
3	22803	GASKET HOUSING COVER2	1		170M.15-5		泵壳密封垫
4	10041	SOCKET HEAD BOLT M6X35	3		GB70-M6X35		内六角螺栓
5	10043	BEARING	1		GB276-E110		单列向心球轴承
6	22806	WATER PUMP HOUSING	1		170M.15-3		泵壳
7	22807	OIL SEAL 10X21X5	1		170M.15.1		油封10X21X5
8	22808	MECHANICAL SEAL	1		170M.15.2		机械密封
9	10044	CIRCLIP 9	1		170M.15-6		挡圈
10	22810	GASKET 6	1		170M.1-9		垫圈6
11	10049	O-RING 33.5X2.65	1		GB3452.1		O型圈-33.5X2.65
12	22812	SHAFT	1		170M.15-1		轴 (水泵)
13	10070	DOWEL PIN C3X22	1		GB119		销-C3X22
14	22814	WASHER PLATE 8	2		170M.8-6		垫圈8



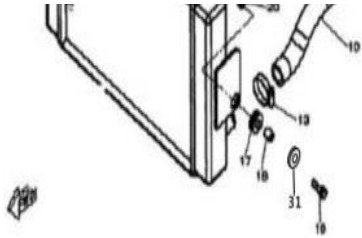
15	22815	IMPELLER SHAFT GEAR	1	170M.15-4	驱动齿轮
16	10072	CIRCLIP 8	1	GB894.1-8	挡圈
17	22817a	JOINT (ADC12)	1	170M.15.3.1a	连接管分组件 (铝合金材质)
18	10082	O-RING 15.5X2.5	2	GB3452.1	O型圈-15.5X2.5
19	10083	SOCKET HEAD BOLT M6X15	2	GB70	内六角螺钉-M6X15
20	22820	WATER PUMP ASSY	1	170M.15	水泵组件

↔ Interchangeable; ≠ Noninterchangeable; ← New for old → old for new

## 27 RADIATOR



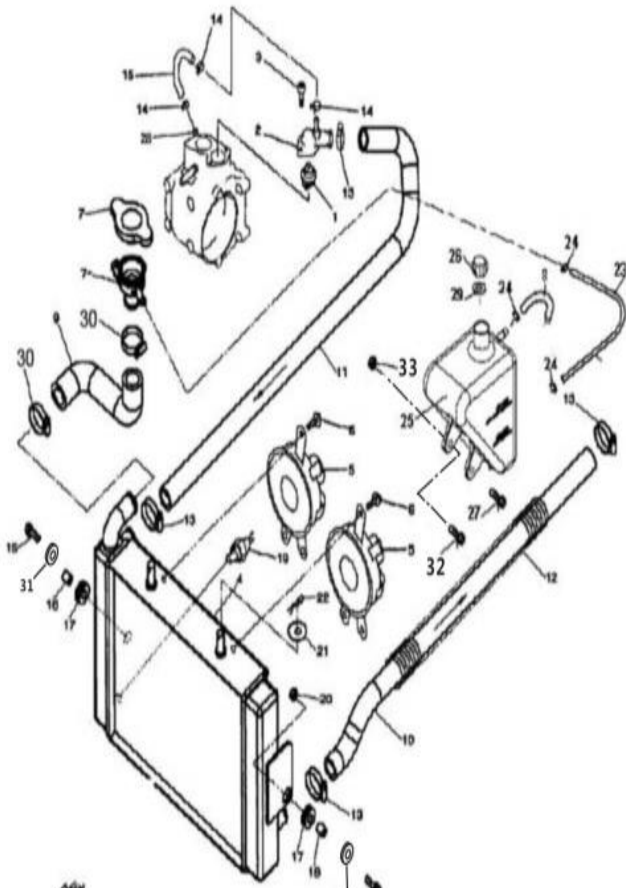
REF. No.	PART NO.	DESCRIPTION	Q'T	I/C	PIN	图号	名称
1	22901	THERMOSTAT	1			170M.11.7.2	温度自动调节阀组件
2	22902	THERMOSTAT COVER	1			170M.11.7.1	壳体
3	10085	SOCKET HEAD BOLT M6X25	2			GB70-M6X25	内六角螺钉
4	22904F	RADIATOR ASSY (THICKER)	1			170M-A.11.3b	冷却器壳体
5	27451	BLOWER ASSY (USED FOR WATERPROOF PLUG UNIT)	2			170M.11.2c	风扇电机组件 (防水插件专用)
6	10087	FLANGE BOLT M6X9	6			GB16674.1	螺栓-M6X9
7	22907a	SAFETY VALVE	1			170M.11.1	安全压力阀
8	70341	PIPE 2	1			LH520ATV.16.2-2	通气软管
9	22909f	RADIATOR FILLER HOSE	1			170M-A.11-2a	水管
10	25193	RETURN HOSE	1			LH260ATV-B.16-1	出水管
11	22911	FEED HOSE	1			170M-A.11-11	进水管
12	22912a	COMPRESSION SPRING	2			170M-A.11-10	弹簧
13	70140	CLAMP 16/27	4			LH2V70.12.1	喉箍16/27
14	22914	HOSE CLAMP2	2			170M.1-7	卡圈10
15	22915	HOSE1	1			170M.11-13A	化油器进水管
16	10182	BOLT M6X30	2			GB/T16674.1	螺栓-M6X30
17	22917	RADIATOR SIDE SUPT GROMMET	2			170M.11-5	减震器套1
18	22918	COLLAR	2			170M.11-6	销套
19	22919D	THERMOSTAT SWITCH ASSY USED FOR WATERPROOF PLUG UNIT)	1			1BD-12486-00	温控开关 (LH400T-B用防水插件)



20	10004	NUT M6	2	GB/6187-M6	螺母
21	10019	WASHER PLATE 10	2	GB97	垫片-10
22	10094	CLIP 2X20	2	GB91	销子-2X20
23	70342	PIPE 1	1	LH520ATV.16.2-3	通气软管
24	22923	CLIP	2	170M.11.6-4	卡箍
25	70340	TANK RECOVERY	1	LH520ATV.16.2-1	回收罐
26	70338	CAP	1	LH520ATV.16.2.1-1	盖
27	10183	BOLT FLANGE M6X16	1	GB/T16674.1	螺栓-M6X16
28	23001	JOIN	1	170M.1.1-5	水管接头

↔ Interchangeable; ≠ Noninterchangeable; ← New for old → old for new

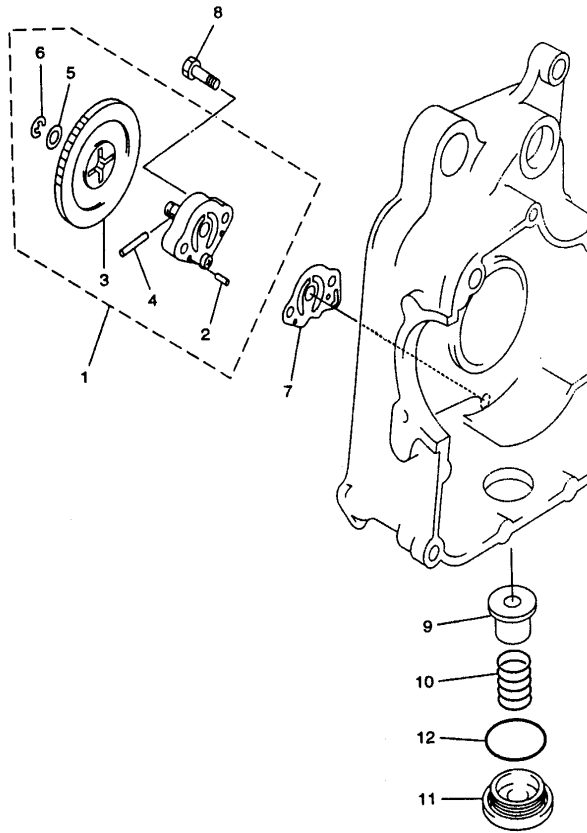
## 27 RADIATOR



REF. No.	PART NO.	DESCRIPTION	Q'T	I/C	PIN	图号	名称
29	70339	WASHER	1			LH520ATV.16.2.1-2	橡胶垫
30	70344	CLAMP 20/32	2			LH520ATV.16.4	喉箍20/32
31	10006	WASHER PLATE 6	2			GB97	垫片6
32	10177	BOLT M6X40	1			GB/T16674.1	螺栓-M6X40
33	10103	NUT M6	1			GB/6177	螺母M6



## 28 OIL PUMP

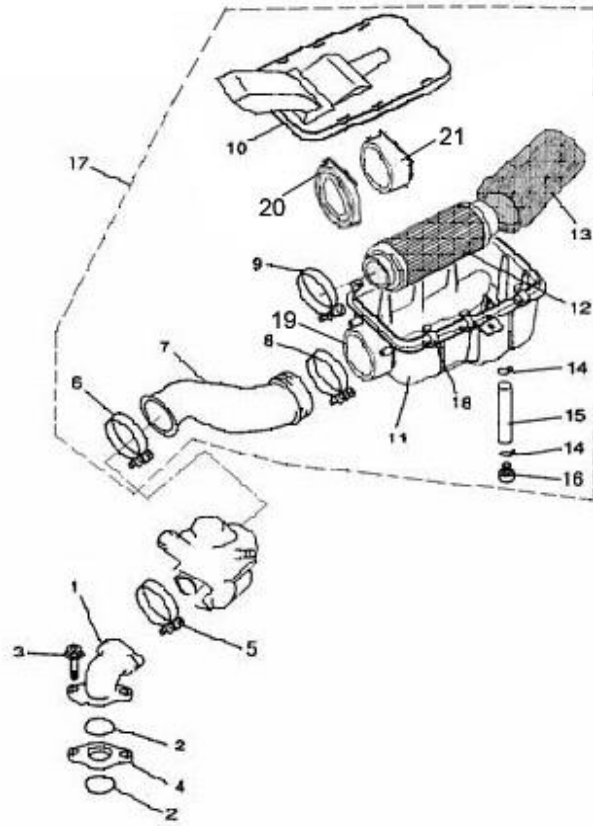


←→ Interchangeable; ≠ Noninterchangeable; ← New for old → old for new

REF. No.	PART NO.	DESCRIPTION	Q'T	I/C	PIN	图号	名称
1	23101	OIL PUMP ASSY	1		170M.8		机油泵部件
2	10096	DOWEL PIN 3X12	2		GB309		滚针-3X12
3	23103	GEAR PUMP DRIVEN	1		170M.8-8		传动齿轮
4	10097	DOWEL PIN C3X22	1		GB309		滚针-3X22
5	22814	WASHER PLATE	1		170M.8-6		垫圈8
6	10130	CIRCLIP	1		GB896		开口挡圈-6
7	23107	GASKET	1		170M.8-1		纸垫
8	10946	SCREW M6X25	2		GB/T 70.2		螺钉-M6X25
9	23109	OIL STRAINER	1		170M.4.6		滤网组件
10	23110	COMPRESSION SPRING	1		170M.4-15		弹簧
11	23111	DRAIN PLUG	1		170M.4-14		放油盖
12	23112	O-RING 36X3.5	1		170M.4-13		O型圈36X3.5

←→ Interchangeable; ≠ Noninterchangeable; ← New for old → old for new

## 29 AIR CLEANER



REF. No.	PART NO.	DESCRIPTION	Q'T Y	I/C	PIN	图号	名称
1	23201b	JOINT CARBURETOR (FOR EUROPE)	1			170M-A.17.2b	连接弯管组件(欧标)
1A	23201A	JOINT CARBURETOR (FOR USA)	2			170M-A.17.2a	连接弯管组件(美标)
2	23202	O-RING 35X2	2			170M.17-13	O型圈35X2
3	10085	SCOKET HEAD BOLT M6X25	2			GB70	内六角螺栓-M6X25
4	23204	JOINT	1			170M.17-12	法兰
5	23205	HOSE CLAMP D	1			170M.17.4	环箍组件B
6	23206	HOSE CLAMP C	1			LH260ATV.16.6	卡箍C
7	25285	AIR CLEANER JOINT	1			LH260ATV-B.15-2	连接弯管
8	23208	HOSE CLAMP B	1			LH260ATV.16.4	卡箍B
9	23209	HOSE CLAMP A	1			LH260ATV.16.2	卡箍A
10	25197	COVER AIR CLEANER	1			LH260ATV-B.15.1	空滤器盖组件
11	23211	AIR CLEANER CASE1	1			LH260ATV.16.3	空滤器箱体
12	23212	ELEMENT COMP AIR CLEANER	1			LH260ATV.16.1	滤芯组件
13	23213	FILTER COVER	1			LH260ATV.16.7	滤芯套
14	23214	CLIP	2			LH260ATV.16-4	卡箍
15	23215	HOSE	1			LH260ATV.16-3	空滤器放油管
16	23216	PLUG	1			LH260ATV.16-5	放油管堵头
17	25198	AIR CLEANER ASSY	1			LH260ATV-B.15	空滤器
18	23218A	AIR CLEANER COVER CLIP	6			LH260ATV.16-10	卡箍
19	25587	JOINT, AIR CLEANER	1			LH260ATV.16-7	进气接头
20	25588	WASHER, AIR CLEANER	1			LH260ATV.16-8	进气接头橡胶垫
21	25589	JOINT FIXED, AIR CLEANER	1			LH260ATV.16-9	进气接头固定盖
22	25600	RUBBER WASHER	2			LH260ATV.16-6	空滤器缓冲垫
23	29695	BOLT M6X20	1			LH800U-D.2-22C	螺栓 M6X20

↔ Interchangeable; ≠ Noninterchangeable; ← New for old → old for new

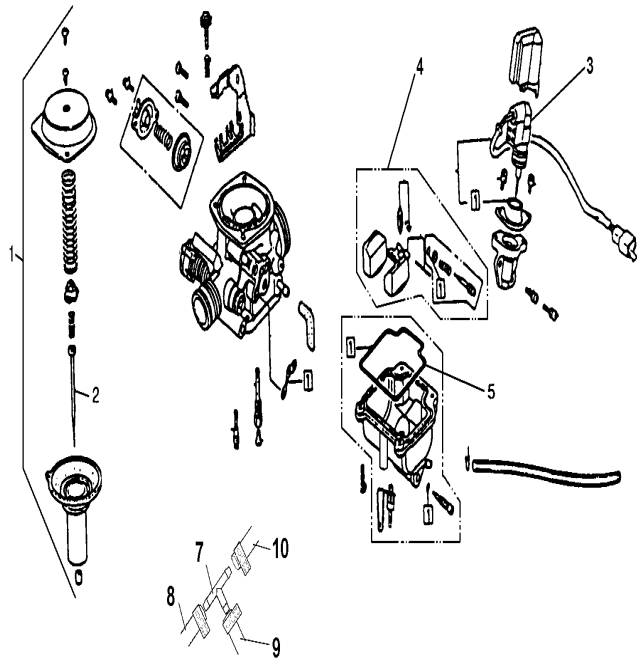
## 30 CARBURETOR

NOTE:

The picture is not used for the order of the spare parts. but only for your

REF. No.	PART NO.	DESCRIPTION	Q'T Y	I/C	PIN	图号	名称
1	23301a	CARBURETOR ASSY (TOP PULL CABLE TYPE)	1			170M-A.13	化油器(上拉式)
2	23302	JET NEEDLE SET	1			170M.13.2-1	油针
3	23303	AUTO CHOKE ASSEM	1			170M.13.2.1	加浓阀

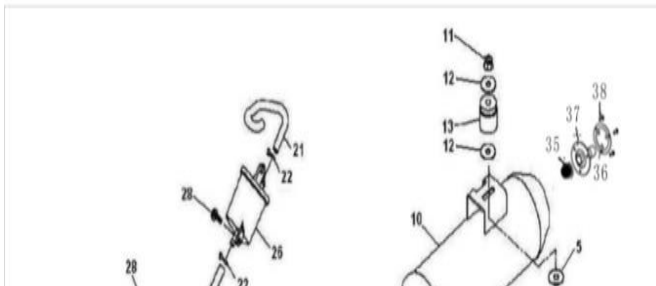
of the spare parts, but only for your reference. If you want to order any part,



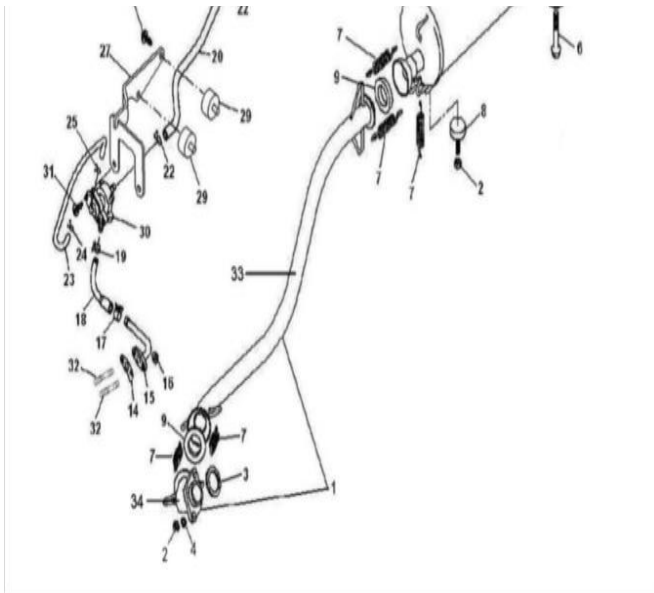
4	23304	FLOAT ASSY	1	170M.13.2.2	浮子
5	23305	BOWL GASKET	1	170M.13.2-2	橡胶垫
6	23306	MAIN JET	1	170M.13.2-3	主量孔
	23307	IDLE JET		170M.13.2-4	待速量孔
7	30235	FUEL HOSE COUPLER	1	170M-A.13-1	三通
8	23308	HOSE $\Phi$ 8X4.5X260	1	170M-A.13.1	通气管 8X4.5X260
9	23309	HOSE $\Phi$ 8X4.5X390	1	170M-A.13.2	溢油管A8X4.5X390
10	23310	HOSE $\Phi$ 8X4.5X280	1	170M-A.13.3	溢油管B8X4.5X280

↔ Interchangeable; ≠ Noninterchangeable; ← New for old → old for new

### 31 EXHAUST



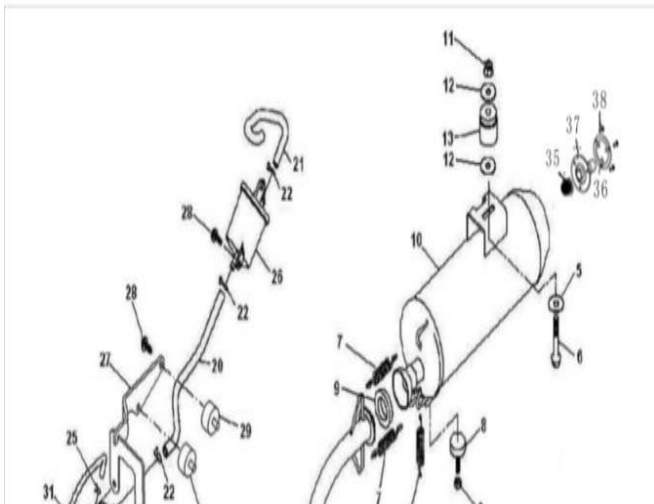
REF. No.	PART NO.	DESCRIPTION	Q'T	I/C	PIN	图号	名称
1	25200	EXHAUST PIPE	1			LH260ATV-B.14.2	消音器后部弯管
2	10080	NUT M8	4			GB/T6177	螺母-M8
3	23403	EXHAUST PIPE GASKET	1			170M.19.3	排气管垫圈
4	10106	WASHER 8	2			GB/T93	弹垫-8
5	10117	WASHER PLATE 10	1			GB/T96	垫圈-10
6	10120	BOLT FLANGE M10X1.25X62	1			GB/T16674.1	螺栓-M10X1.25X62
7	23408	SPRING	5			LH260ATV.15-1	拉簧
8	23410	MUFFLER SUPPORT BOTTOM	1			LH260ATV15.3	消音器下缓冲块
9	25222	JOINT	1			LH260ATV-B.14.3	球形密封圈



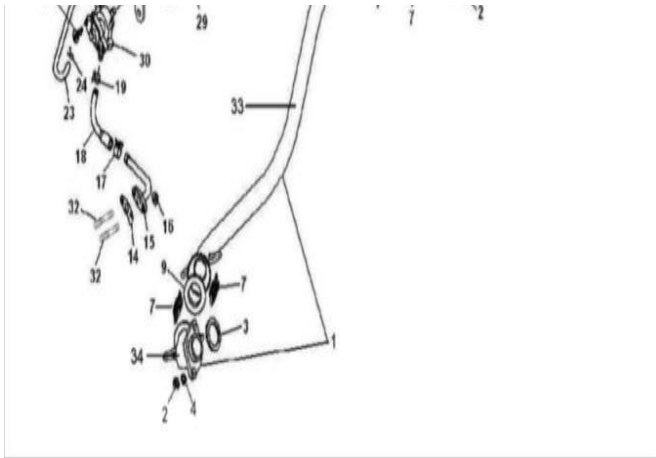
10	25313	MUFFLER	1	LH260ATV-B.14b.1	消音器筒体(美标)
11	10015	NUT M10X1.25	1	GB/T6187	螺母 -M10X1.25
12	10117	WASHER PLATE 16	2	GB/T96	垫圈-16
13	23415	MUFFLER SUPPORT	1	LH260ATV.15.2	消音器上缓冲块组件
14	43510	WASHER	1	170M.20-10	补气垫片
15	43511B	HOSE	1	170M-A.20.3a	连接管组件
16	10004	NUT M6	2	GB/T6187	自锁螺母M6
17	43513	CLIP 16	1	170M.20-9	卡箍16
17	70140	CLAMP 16/27 (MATCH WITH NEW HOSE C)	1	1DA-12495-00	喉箍16/27
18	43512	HOSE C (OLD MODEL)	1	170M.20-8	连接软管C (老状态)
18	43512	HOSE C (NEW MODEL)	1	170M.20-8	连接软管C (尺寸加厚新状态)
19	43514	CLIP 13	1	170M.20-4	卡箍13
19	10774	CLAMP 12/20 (MATCH WITH NEW HOSE C)	1	BHG1200005	喉箍12/20
20	43525	HOSE B	1	170M.20-3	连接软管B
21	43518	HOSE A	1	170M.20-1	连接软管A
22	43519	HOSE CLAMP 16	3	170M.20-2	卡簧16
23	43520	PIPE	1	170M.20-7	负压管
24	43521	CLIP 9	1	170M.20-6	卡箍9

↔ Interchangeable; ≠ Noninterchangeable; ← New for old → old for new

### 31 EXHAUST

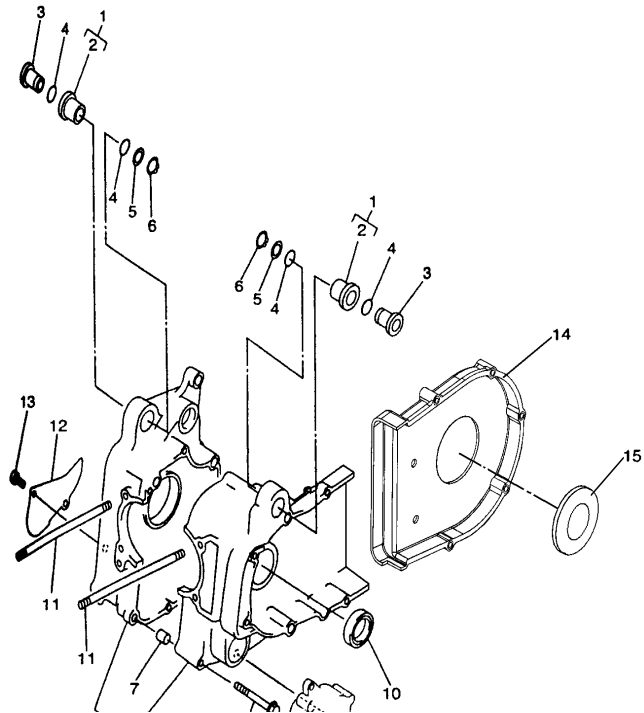


REF. No.	PART NO.	DESCRIPTION	Q'T	I/C	PIN	图号	名称
25	43522	CLIP 7.6	1			170M.20-5	卡箍7.6
26	43523	FILTER	1			170M.20.1	补气滤清器
27	25204	VALVE BRACKET	1			170M-A.20.4a	控制阀安装支架
28	10140	BOLT M6X12	4			GB/T16674.1	螺栓M6X12
29	20316	RUBBER PAD	8			LH260ATV.1.15	弹性安装螺母
30	43516	VALVE	1			170M.20.2	二次补气控制阀
31	10010	BOLT M6X20	2			GB/T5789	螺栓 M6X20
32	26003	BOLT	2			170M.20-11	双头螺栓M6X29
33	25275	EXHAUST PIPE 1	1			LH260ATV-B.14.2.1	连接弯管后部组件
34	25276	EXHAUST PIPE 2	1			LH260ATV-B.14.2.2	连接弯管前部组件
35	7031a	FIRE SATELLITE NETWORK	1			LH520ATV.14.2.3	防火星网
36	7031b	STOPPER PLATE	1			LH520ATV.14.2-3	消音器止动垫片
37	27305	MUFFLER TAIL PIPE COMPONENTS	1			LH400ATV-2.14.3	后尾管组件
38	10272	BOLT M6X16	3			GB/T5783	螺栓M6x16

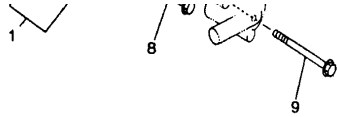


↔ Interchangeable; ≠ Noninterchangeable; ← New for old → old for new

### 32 CRANKCASE

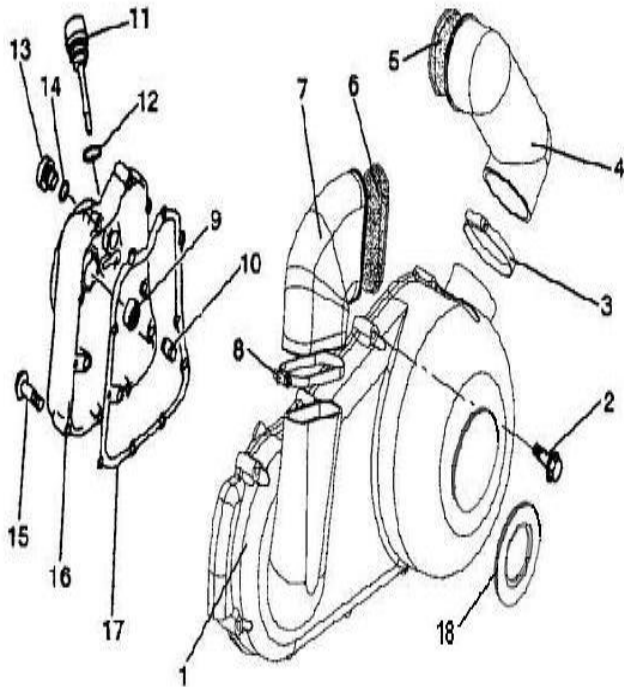


REF. No.	PART NO.	DESCRIPTION	Q'T Y	I/C	PIN	图号	名称
1	23501	CRANKCASE ASSY	1			170M-A.4	箱体组件
2	23502	HOLDER	2			170M.4.7	弹性衬套组件
3	23503	COLLAR	2			170M.4-17	衬套
4	23504	O-RING	4			170M.4-16	O型圈
5	23505	WASHER PLATE 16	2			170M.4-18	垫圈16
6	10121	CIRCLIP 16	2			GB894.1-16	弹性挡圈
7	22422	DOWEL PIN 10X14	2			1E52FM010011	定位销10X14
8	23508	FLANGE BOLT M6X70	4			170M.4-5	螺栓M6X70
9	23509	FLANGE BOLT M6X100	5			153FM.16-9	螺栓M6X100
10	23510	OIL SEAL 30X45X5	1			170M.4.3	油封30X45X5
11	23511	STUD BOLT M8X245	4			170M.4-3	双头螺栓M8X245
12	23512	COVER CRANKCASE RIGHT	1			170M.4-12	变速箱右盖
13	10036	SOCKET HEAD BOLT M6X14	2			GB70-M6X14	内六角螺栓
14	23514F	REAR INSIDE COVER	1			LH260ATV.14.1.1	后盖
15	23515	SEALING	1			LH260ATV.14.1-2	密封盖



↔ Interchangeable; ≠ Noninterchangeable; ← New for old → old for new

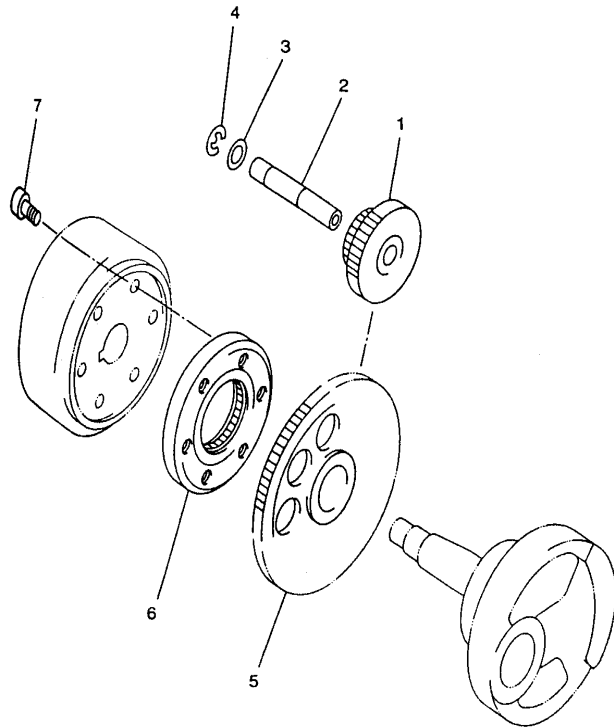
### 33 LEFT & RIGHT COVER



REF. No.	PART NO.	DESCRIPTION	Q'T	I/C	PIN	图号	名称
1	23601a	COVER CRANKCASE LEFT	1			LH260ATV.14.2-2a	左盖
2	23602	FLANGE BOLT M6X52	5			LH260ATV.14.1-3	螺栓M6X40
3	23603	HOSE CLAMP B	1			LH260ATV.14.2.4	卡箍B
4	23604	JOINT A	1			LH260ATV.14.2-3	出气弯管
5	23605	AIR STRAINER B	1			LH260ATV.14.2.3	滤网B
6	23606	AIR STRAINER A	1			LH260ATV.14.2.2	滤网A
7	23607	JOINT B	1			LH260ATV.14.2-1	进气弯管
8	23608	HOSE CLAMP A	1			LH260ATV.14.2.1	卡箍A
9	23609	OIL SEAL	1			170M.5.1	油封
10	22422	DOWEL PIN 10X14	4			1E52FM010011	定位销10X14
11	23611	OIL PLUG	1			170M.5-5	机油尺
12	10122	O-RING 18X2.65	1			GB3452.1	O型圈-18X2.65
13	23613	OIL PLUG	1			170M.5-4	窥视盖
14	10123	O-RING 14X2.65	1			GB3452.1	O型圈-14X2.65
15	23615	FLANGE BOLT M6X40	15			170M.4-21	螺栓M6X40
16	23616	CAP COVER	1			170M.5-1	右盖
17	23617	CRANKCASE COVER GASKET RIGHT	1			170M.5-2	右盖垫
18	23619	RUBBER GASKET(WITH HIGH-POWER CLUTCH)	1			LH260ATV.14.2-4	防尘橡胶圈

↔ Interchangeable; ≠ Noninterchangeable; ← New for old → old for new

### 34 STARTER

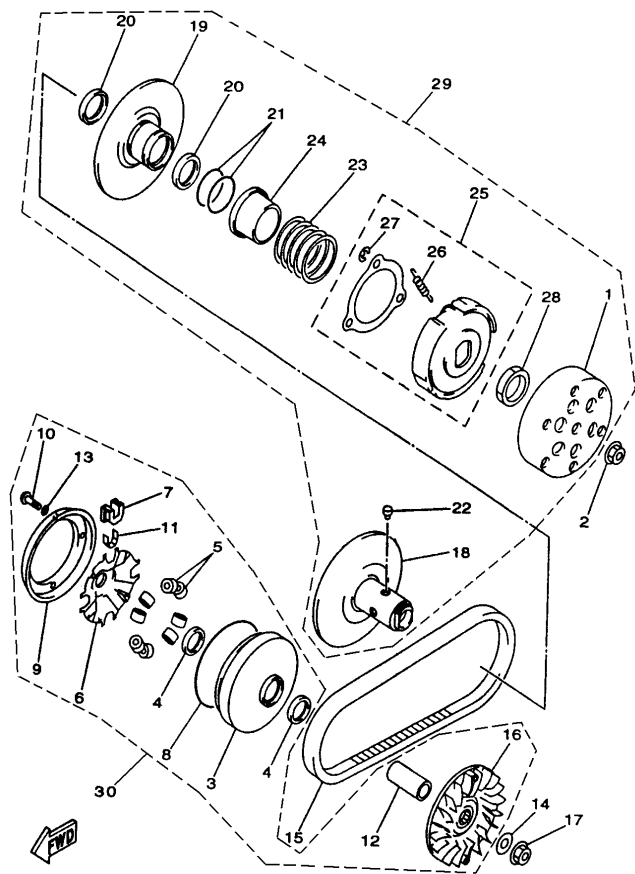


REF. No.	PART NO.	DESCRIPTION	Q'T	I/C	PIN	图号	名称
1	23701	GEAR IDLER	1			170M.7.1	双联齿轮
2	23702	SHAFT	1			170M.7-2	中间轴
3	23703	WASHER 12	1			170M.7-1	垫圈12
4	10129	CIRCLIP 12	1			GB894.1	弹性挡圈-12
5	23705	GEAR REDUCTION	1			170M.7.2	输出齿轮组件
6	23706	STARTER CLUTCH	1			170M.7.3	超越离合器组件
7	10131	SOCKET HEAD BOLT M8X16	3			GB70	内六角螺钉-M8X16

↔ Interchangeable; ≠ Noninterchangeable; ← New for old → old for new

### 35 CLUTCH

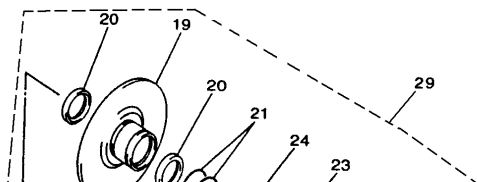
REF. No.	PART NO.	DESCRIPTION	Q'T	I/C	PIN	图号	名称
----------	----------	-------------	-----	-----	-----	----	----



1	25614	CLUTCH HOUSING COMP.	1	1BB-16611-30	摩擦轮组合
2	23802	NUT	1	1BB-17677-30	螺母
3	27460	PRIMARY SLIDING SHEAVE COMP	1	1BB-17620-30	移动轮组合
4	23804	OIL SEAL	2	1BB-17696-30	油封
5	27461	WEIGHT	8	1BB-17632-30	滚珠
6	25615	CAM	1	1BB-17623-30	斜坡板
7	27463	SLIDER	4	1BB-17653-30	导向架
8	27464	O-RING 115X2.5	1	B921150251	O型圈Φ115xΦ2.5
9	27465	STOPPER	1	1BB-17639-30	防尘盖
10	10132	PAN HEAD SCREW M4X12	4	B23L00412R	十字盘头螺钉M4X12
11	27466	SPACER 1	4	1BB-17654-30	支架
12	25616	COLLAR	1	1BB-17688-30	滑套
13	23813	WASHER PLATE 4	4	B618004010	垫圈4
14	25617	WASHER PLATE	1	1BB-16623-30	垫片
15	23815	V-BELT (LOGO "MITSUBOSHI")	1	170M.9-4	驱动皮带 (进口件) (MITSUBOSHI)
15	23817	V-BELT (LOGO "GATES") (USED FOR EXCEPT FRANCE, GERMANY CUSTOMERS)	1	1BB-17641-10	驱动皮带 (国产) (G ATES) (除法国、德 国客户外使用)
16	25618	SHEAVE PRIMARY FIXED	1	1BB-17611-30	驱动盘
17	23802	NUT	1	1BB-17677-30	螺母
18	27469	SECONDARY FIXED SHEAVE COMP.INCLUDE TWO BEARINGS ONE OIL SEAL AND ONE CIRCLIP	1	1BB-17660-30	固定盘组合
	/			BCC0100097	滚动轴承17x30x7
	/			170M.9.2.1-6	孔用挡圈
	/			BCC3100003	滚针轴承25x32x12
	/			1BB-17694-30	油封25x32x4
19	27470	SECONDARY SLIDING SHEAVE	1	1BB-17670-30	移动盘组合
20	23820	OIL SEAL47X41X4	2	1BB-17674-30	油封47x41x4
21	27471	O-RING 46.2X2	2	1BB-17695-30	O型圈Φ46.2xΦ2
22	27472	PIN GUIDE	4	1BB-17664-30	滚柱
23	27473	COMPRESSION SPRING	1	1BB-17676-30	压缩弹簧

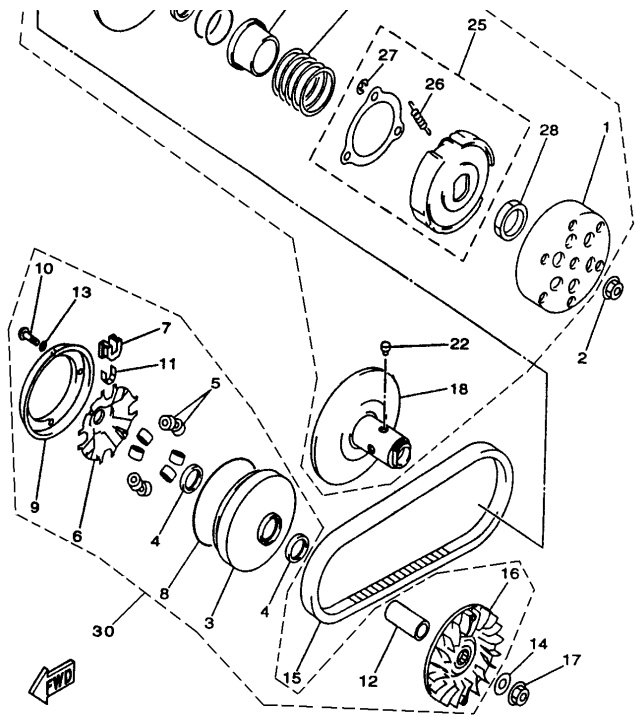
↔ Interchangeable; ≠ Noninterchangeable; ← New for old → old for new

### 35 CLUTCH



REF. No.	PART NO.	DESCRIPTION	Q'T	I/C	PIN	图号	名称
24	27474	SEAT SECONDARY SPRING	1			1BB-17644-30	弹簧座
25	25619	CLUTCH CARRIER ASSY	1			1BB-16620-30	驱动板组件
26	25643	CLUTCH WEIGHT SPRING 1	3			1BB-16626-30	拉簧
27	10133	CIRCLIP 8	3			B713008000	挡圈8
28	23928	NUT M36X1.5	1			170M.9.2-2	扁螺母M36X1.5

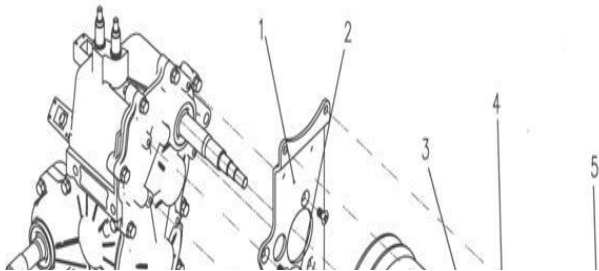




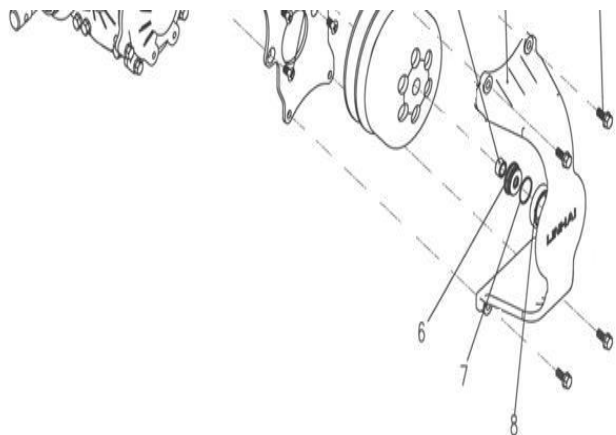
29	25620	DRIVEN ASSY COMPLETE	1	1BB-17690-30	从动轮及离合器组件
30	25621	DRIVE ASSY COMPLETE	1	1BB-17650-30	主动轮组件

↔ Interchangeable; ≠ Noninterchangeable; ← New for old → old for new

### 36 HIGH-POWER CLUTCH STAND ASSY

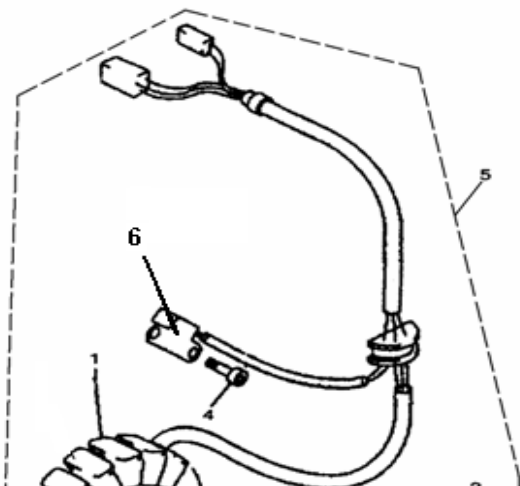


REF. No.	PART NO.	DESCRIPTION	Q'T	I/C	PIN	图号	名称
1	23941	BRACKET 1	1		Y	LH260ATV.14.3.1	ATV离合器下支架组件
2	10424	SWCREW M8X12	4			GB/T819	十字槽沉头螺钉M8X12
3	23942	SMALL SPACER	1			LH260ATV.14.3-2	小轴套
4	23943	BRACKET 2	1			LH260ATV.14.3-1	ATV离合器上支架
5	10060	BOLT M8X28	4			GB/T16674.1	六角法兰螺栓M8X28
6	23944	SPACER	1			170M.18-6	轴套
7	10321	O-RING 26.5X1.8	1			GB/T3452.1	O型圈26.5X1.8
8	10426	BEARING 6906Z	1			GB/T276	轴承6906Z

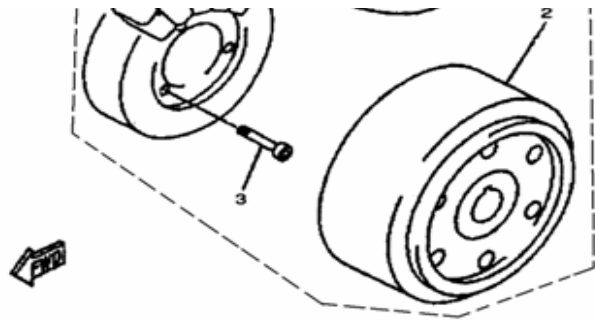


↔ Interchangeable; ≠ Noninterchangeable; ← New for old → old for new

### 37 GENERATOR

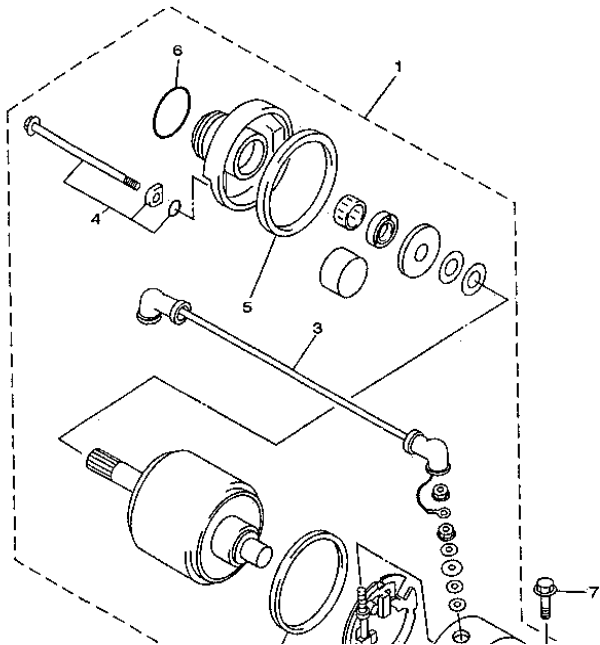


REF. No.	PART NO.	DESCRIPTION	Q'T	I/C	PIN	图号	名称
1	27450	STATOR ASSY (USED FOR WATERPROOF PLUG UNIT)	1		170M.6.1.2c		定子组合 (防水插件专用)
2	24002	ROTOR ASSY (GREEN COLOR)	1		170M.6.1.1		转子组合
	24002A	HIGH-POWER GENERATOR ROTOR ASSY (WHITE COLOR)	1		170M.6.1.1b		大磁电机转子组合
3	10134	SOCKET HEAD BOLT M5X25	3		GB70-85		螺栓M5X25
	10085	SOCKET HEAD BOLT M6X25	3		GB70-85		螺栓M6X25
4	10135	SOCKET HEAD BOLT M5X12	2		GB70-85		螺栓M5X12
5	24005	GENERATOR ASSY	1		170M.6.1		磁电机组合
	24005A	HIGH-POWER GENERATOR ASSY	1		170M.6.1b		大磁电机组合
6	24006	PICK UP COIL	1		170M.6.1.2.2		触发线圈

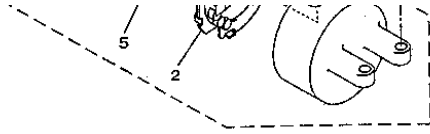


↔ Interchangeable; ≠ Noninterchangeable; ← New for old → old for new

### 38 STARTING MOTOR

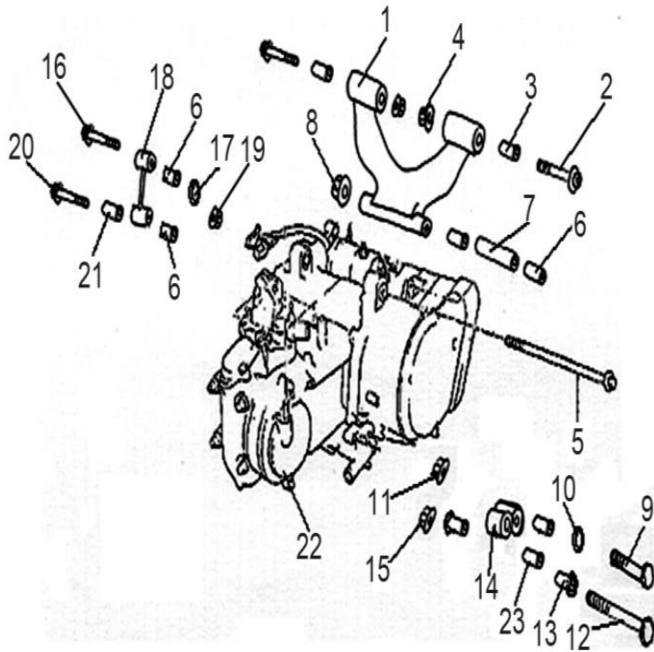


REF. No.	PART NO.	DESCRIPTION	Q'T Y	I/C	PIN	图号	名称
1	24101	STARTING MOTOR ASSY	1			170M.16	起动电机部件
2	24102	BRUSH HOLD ASSY	1			170M.16.4	碳刷架
3	24103	CORD,STARTER MOTOR	1			170M.16.2	正接线
4	24104	BOLT	2			170M.16-2	螺栓
5	24105	GASKET	2			170M.16-3	衬垫
6	24106	O-RING 24.5X3	1			170M.16-1	O型圈24.5X3
7	24107	FLANGE BOLT M6X25	2			170M.4-6	螺栓M6X25



↔ Interchangeable; ≠ Noninterchangeable; ← New for old → old for new

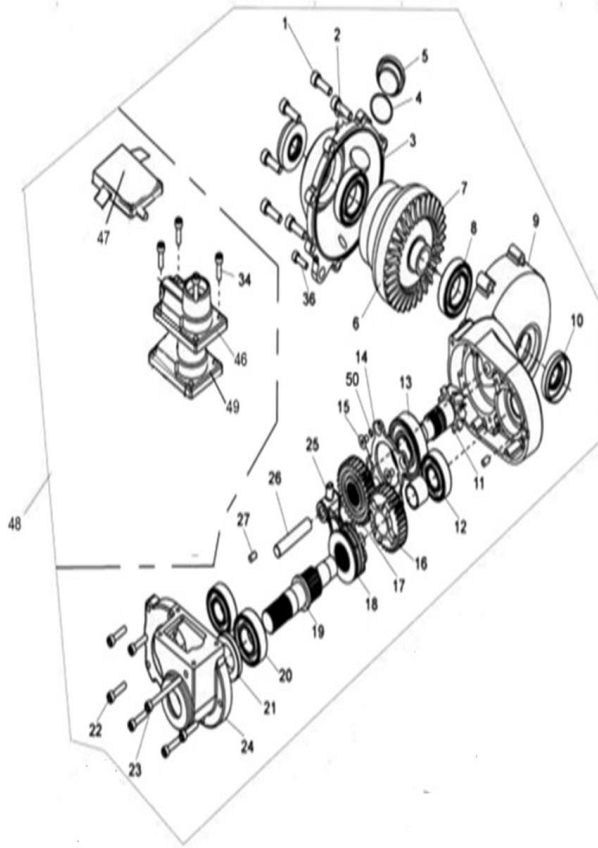
### 39 ENGINE



REF. No.	PART NO.	DESCRIPTION	Q'T Y	I/C	PIN	图号	名称
1	24201	FRONT ENGINE MOUNT BRACKET	1			LH260ATV.20.1.1	吊架焊接组件
2	24202	ENGINE BRACKET BOLT	2			LH260ATV.20-2	吊架安装轴
3	24203	BUSHING ENGING BRACKET1	2			LH260ATV.20.1.2	吊架缓冲套I
4	10136	NUT M12X1.25	2			GB/T6187	螺母-M12X1.25
5	24205	ENGINE MOUNTING BOLT	1			LH260ATV.20-1	发动机轴
6	24206	BUSHING ENGING BRACKET2	4			LH260ATV.20.1.3	吊架缓冲套II
7	24207	SPACER ENGINE BRACKET	1			LH250T.6.1-1	吊架隔套
8	10015	NUT M10X1.25	1			GB/T6187	螺母-M10X1.25
9	10016	BOLT M10X1.25X55	1			GB/T5785	螺栓-M10X1.25X55
10	24210	WASHER	1			LH260ATV.20-4	左垫圈
11	10015	NUT M10X1.25	1			GB/T6187	螺母-M10X1.25
12	10137	BOLT M8X120	1			GB/T5782	螺栓-M8X120
13	24213	LEFT SPACER	2			LH260ATV.20-3	左隔套
14	24214	STAY ENGINE LEFT	1			LH260ATV.20.2	左摇臂组件
15	10079	NUT M8	1			GB/T6187	螺母-M8
16	10138	BOLT M10X1.25X68	1			GB/T5785	螺栓-M10X1.25X68
17	24217	WASHER	1			LH260ATV.20-6	右垫圈
18	24218	STAY ENGINE RIGHT	1			LH260ATV.20.3	右摇臂组件
19	10015	NUT M10X1.25	1			GB/T6187	螺母-M10X1.25
20	10139	BOLT M8X65	1			GB/T5782	螺栓-M8X65
21	24221	RIGHT SPACER	2			LH260ATV.20-5	右隔套
22	24222A	ENGINE ASSY300	1			LH300ATV.14	发动机总成
23	24223	BUSHING	2			LH260ATV.20.2.2	左摇臂缓冲套

↔ Interchangeable; ≠ Noninterchangeable; ← New for old → old for new

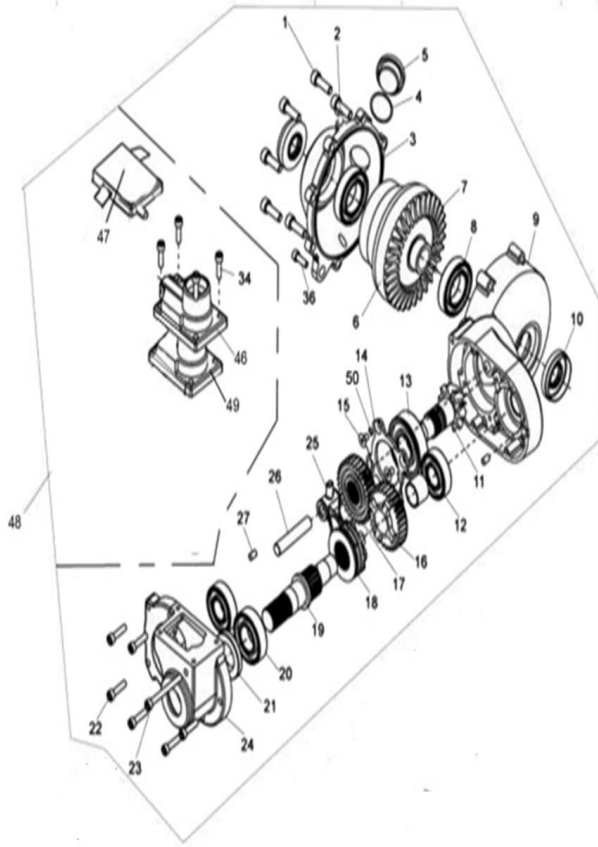
### 40 FRONT GEAR-BOX (FOR 4WD)



REF. No.	PART NO.	DESCRIPTION	Q'T Y	I/C PIN	图号	名称
1	10059	BOLT M8X25	7		GB/T16674.1	螺栓M8X25
2	21112	VENT FITTING	1		LH260ATV.12.3	通气嘴
3	24303	LEFT COVER	1		LHTY.1-1	左盖
4	10122	O-RING 18X2.65	1		GB/T3452.1	O形圈18*2.65
5	24305	DIFF FILLERPLUG	1		153FM.16-3	滤油网帽盖
6	24306	FOC BODY	1		LHTY.1.1	差速器
7	24307	BEVEL CROWNWHEEL	1		LHTY.1-2	输出锥齿轮
8	10202	BEAR 6006	2		GB/T276	轴承6006
9	24309	DIFFCASE RHS	1		LHTY.1-3	箱体
10	24310	SEAL SDD722X48X11	2		LHTY.1.2	油封SDD722*48*11
11	24311	CONICAL WITH HELICAL GEARING	1		LHTY.1-4	锥齿轮轴
12	10062	BEAR 6204	2		GB/T276	轴承6204
13	10074	BEAR 6305ST	1		GB/T276	轴承6305ST
14	24314	CASEBEAR RETAINER	1		LHTY.1-5	轴承压板
15	10287	SCREW M6X12	4		GB/T2673	螺钉M6*12
16	24316	DIFF GEAR	1		LHTY.1.3	切换齿轮组件
17	24317	DIFF GEAR DRIVEN	1		LHTY.1-6	切换过渡齿轮
18	24318	SPLINED DOG	1		LHTY.1-7	切换盘
19	24319	DIFF INPUTSHAFT A	1		LHTY.1-8	输入轴
20	10267	BEAR 6205	1		GB/T276	轴承6205
21	24321	SEAL TC25X47X7	1		LHTY.1.4	油封TC25*47*7
22	10182	BOLE M6X30	6		GB/T16674.1	螺栓M6*30
23	10160	BOLE M6X70	1		GB/T16674.1	螺栓M6*70
24	24324	REAR COVER	1		LHTY.1-9	后盖
25	24325	DIFF SELECTOR FORK	1		LHTY.1-10	拨叉
26	24326	SELECTOR RAIL	1		LHTY.1-11	拨叉导轴
27	24327	PIN	2		LHTY.1-12	定位销
34	10183	BOLT M6X16	4		GB/T5787	螺栓M6*16
36	10168	BOLT M8X16	1		GB/T16674.1	放油螺栓M8*16

↔ Interchangeable; ≠ Noninterchangeable; ← New for old → old for new

### 40 FRONT GEAR-BOX (FOR 4WD)



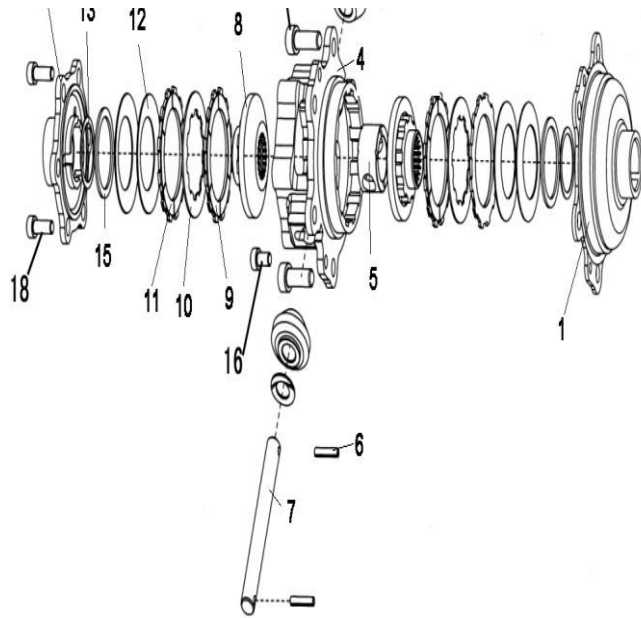
REF. No.	PART NO.	DESCRIPTION	Q'T Y	I/C	PIN	图号	名称
46		2WD/4WD SHIFT MOTOR(USED WITH 2WD / 4WD	1			LHTY.1.8.1c	切换电机 (防水插件专用)
47	24446c	SWITCHPN20109b) (USED FOR WATER PROOF PLUG)					
47		2WD/4WD SHIFT ELECTRONIC CONTROLLER(USED WITH 2WD / 4WD	1			LHTY.1.8.2c	电子换挡控制器 (防水插件专用)
48	24447c	SWITCHPN20109b) (USED FOR WATER PROOF PLUG)					
48	24445a	FRONT GEAR-BOX (ELECTRIC SHIFT)	1			LHTY.1a	前桥总成(电子换挡)
49	26005	GASKET	1			LHTY.1.8-1	密封纸垫
50	21453	CIRCLIP 25	1			LH260ATV.17-14	挡圈25

↔ Interchangeable; ≠ Noninterchangeable; ← New for old → old for new

### 41 FOC BODY (FOR 4WD)



REF. No.	PART NO.	DESCRIPTION	Q'T Y	I/C	PIN	图号	名称
1	24701	LARGER COVER	1			LHTY.1.1-14	差速器大盖
2	24702	WASHER	2			LHTY.1.1-2	球形垫片
3	24703	PINION	2			LHTY.1.1-3	小伞齿



4	24704	HOUSING	1	LHTY.1.1-1	差速器壳体
5	24705	CENTER SPACER	1	LHTY.1.1-5	中轴套
6	10003	ROLL PIN	2	GB/T879.1	弹性圆柱销4X22
7	24707	CENTER PIN	2	LHTY.1.1-4	中轴
8	24708	BEVEL GEAR	2	LHTY.1.1-7	大伞齿
9	24709	CLUTCH PLATE OUTER DOUBLE	2	LHTY.1.1-12	双面摩擦片
10	24710	CLITCH PLATE INNER	2	LHTY.1.1-13	摩擦钢片
11	24711	CLUTCH PLATE OUTER SINGLE	2	LHTY.1.1-11	单面摩擦片
12	24712	DISHED SPRING	4	LHTY.1.1-8	碟形弹簧
13	24713	WASHER	2	LHTY.1.1-10	垫圈2
14	24714	SMALL COVER	1	LHTY.1.1-15	差速器小盖
15	24715	SPING SEAT	2	LHTY.1.1-9	垫圈1
16	10083	SCREW M6X15	2	GB/T70	螺钉M6X15
17	10131	SCREW M8X16	6	GB/T70	螺钉M8X16
18	24718	BOLT M8X15	6	LHTY.1.1-6	定制螺栓M8X15

↔ Interchangeable; ≠ Noninterchangeable; ← New for old → old for new

### 42 SPECIAL TOOL KIT



REF. No.	PART NO.	DESCRIPTION	Q'T	I/C	PIN	图号	名称
1	24801	TOOL FOR BALL JOINT, STRUT REMOVAL	1	Y		LH260ATV.3.2.1GJ.1	前减震联轴节拆卸工具

