

Generic Troubleshooting Guide for UTVs



Table of Contents

Engine Will Not Start 3

Engine Starts, But Will Not Idle 10

Brake Issues 19

Electrical Issues 23

Transmission Issues 28

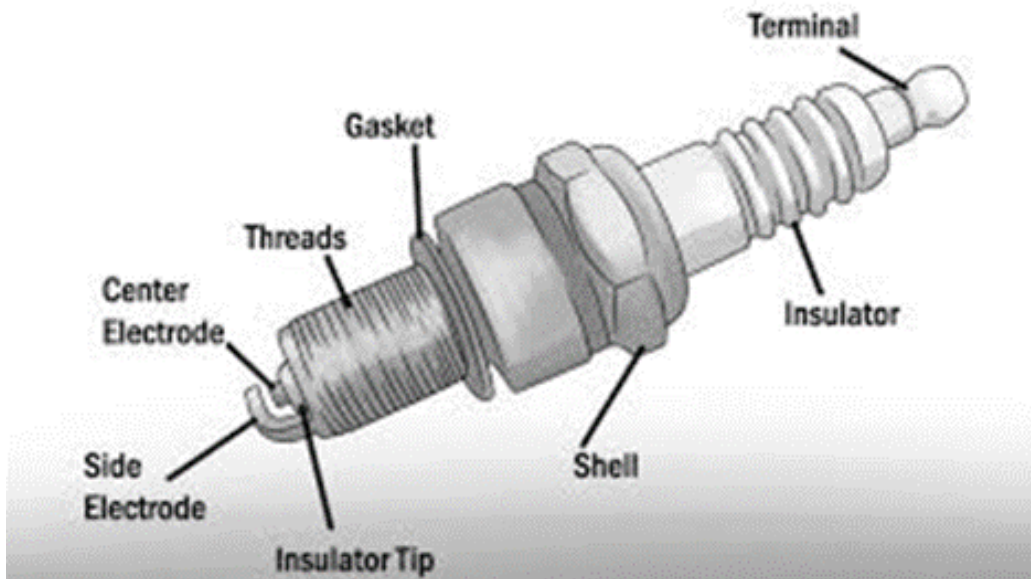
Table of Contents

Engine Will Not Start	3
Engine Starts, But Will Not Idle	10
Brake Issues	19
Electrical Issues	23
Transmission Issues	28
Engine Runs Rough	34

ENGINE WILL NOT START



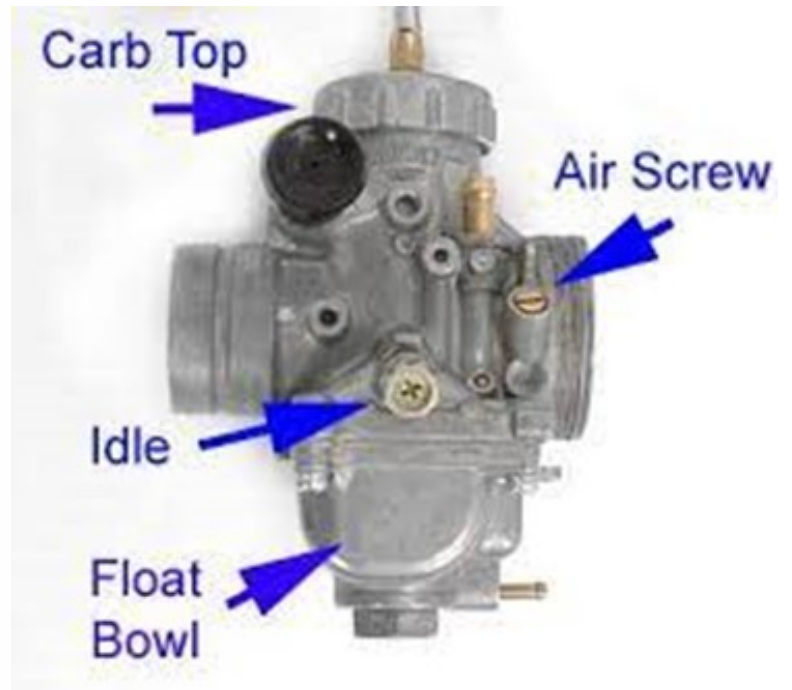
Check the fuel level and ensure that the fuel is clean and fresh. Add fuel if necessary.



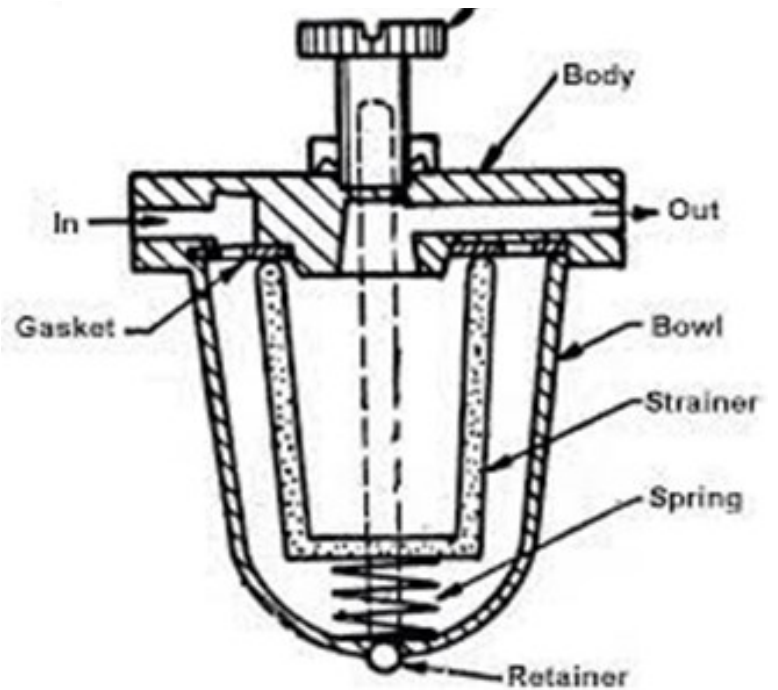
Check the spark plug and make sure it is clean and properly gapped. Replace or clean the spark plug



Check the air filter and clean or replace it if necessary.



Check the carburetor and make sure it is clean and functioning properly.

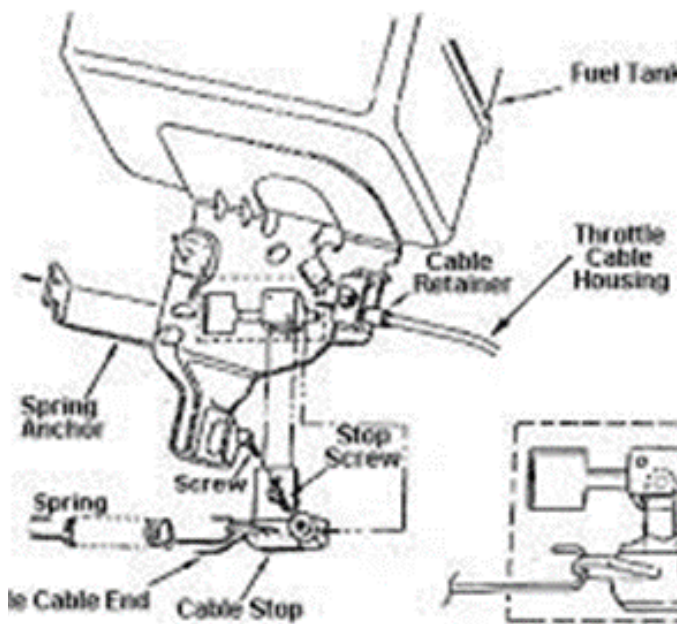


Check the fuel filter and make sure it is clean and not clogged.

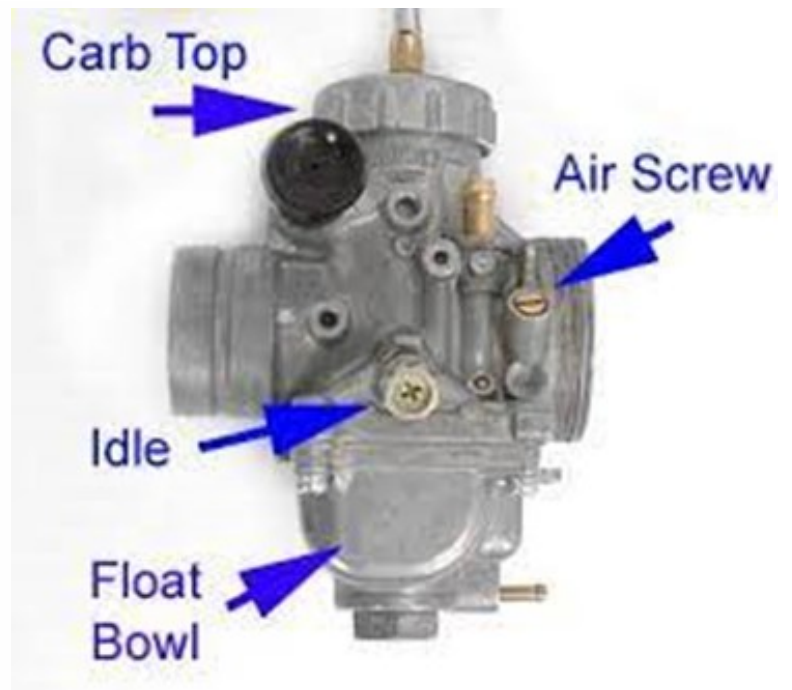


Check the battery and make sure it is charged and properly connected. Charge or replace the battery if necessary. Please note that both AutoZone and O'Reilly Auto Parts offer free battery volt and amp testing upon request. We also recommend trickle charging the battery for at least 8 hours before it's initial use to extend the longevity of your battery's life.

ENGINE STARTS, BUT WILL NOT IDLE



Check the throttle cable and make sure it is properly adjusted.

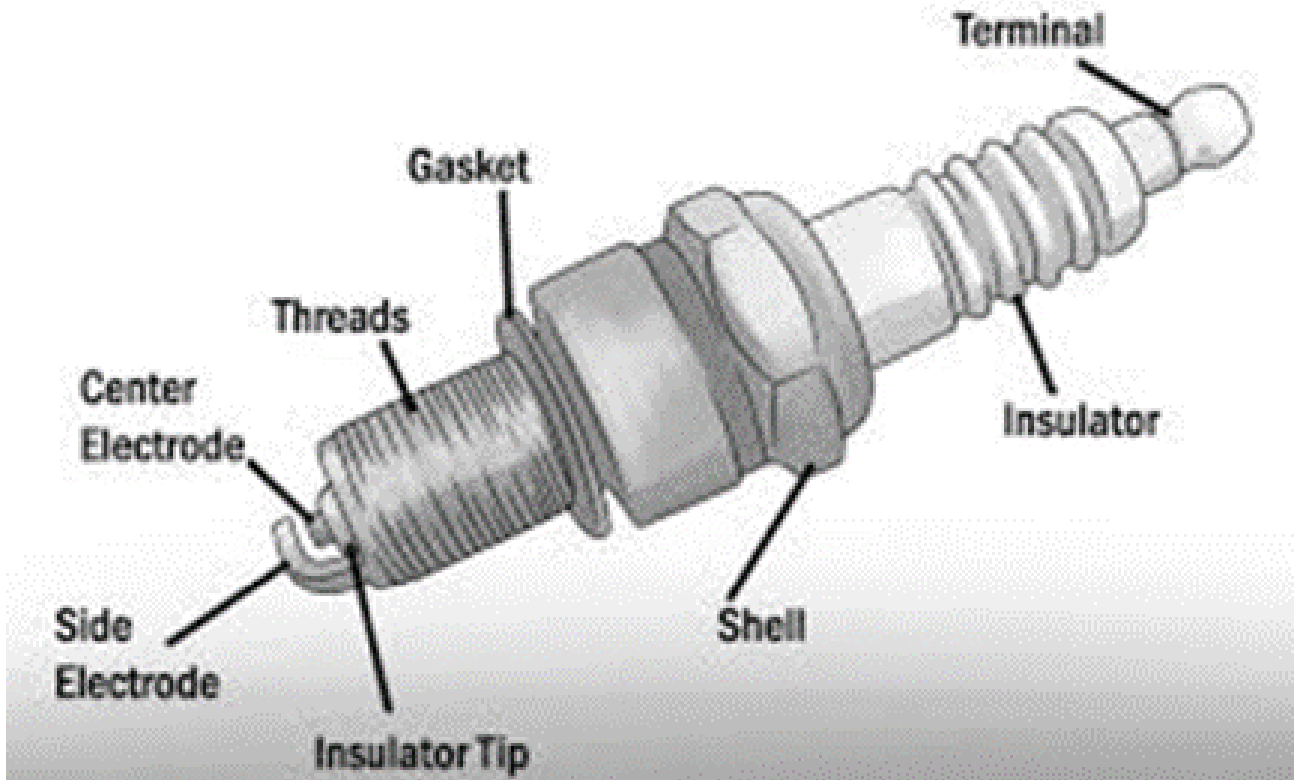


Check the carburetor and make sure it is clean and functioning properly.

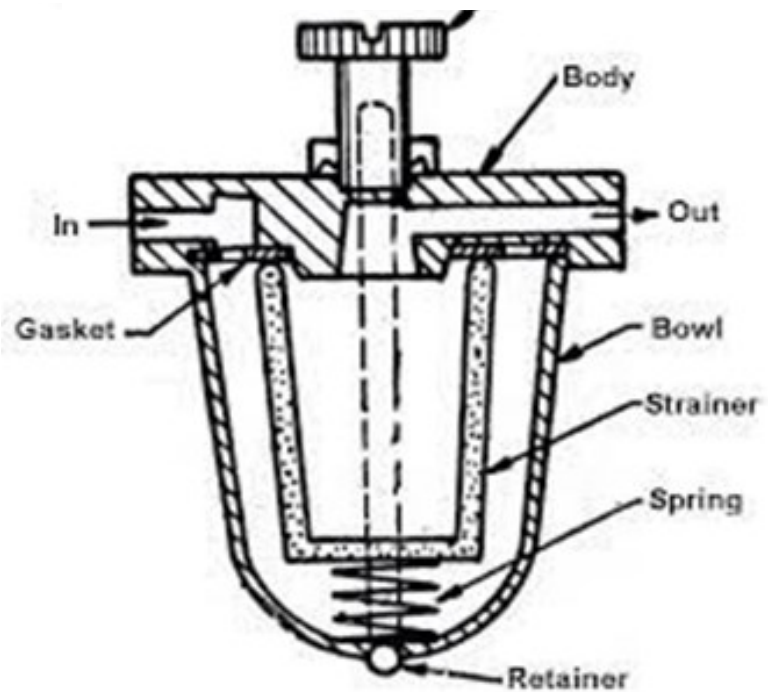
Check the idle speed screw and adjust it as necessary.



Check the air filter and clean or replace it if necessary.



Check the spark plug and make sure it is clean and properly gapped.



Check the fuel filter and make sure it is clean and not clogged.



Check the fuel lines for any cracks or leaks.

BRAKE ISSUES

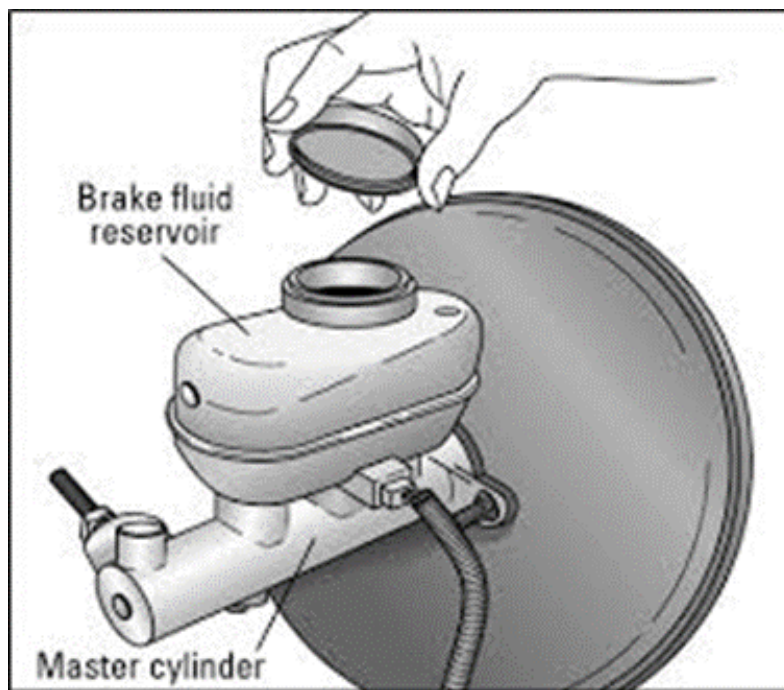


Check the brake pads and make sure they are not worn down. Replace the brake pads if necessary.



Check the brake calipers and make sure they are properly lubricated. Lubricate the calipers if

Check the brake lines and make sure they are not clogged or leaking. Replace any damaged brake



Check the brake fluid level and make sure it is topped off. Refill the brake fluid if necessary.

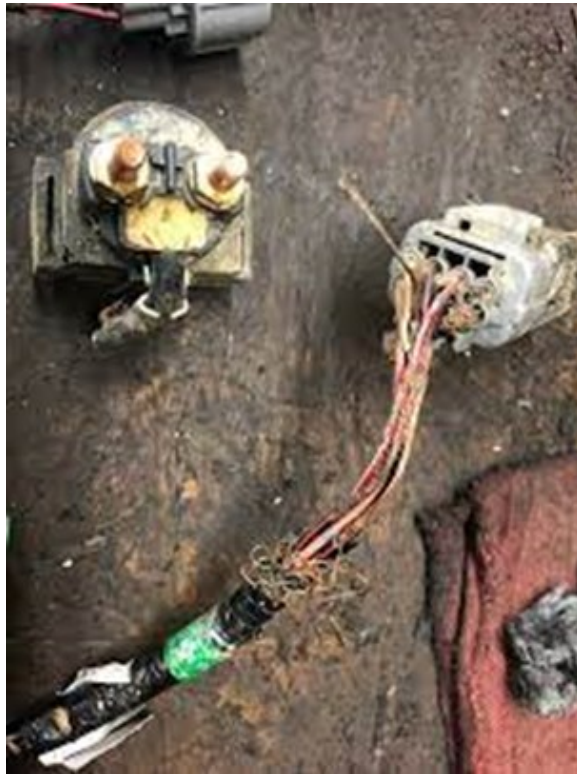
ELECTRICAL ISSUES



Check the battery and make sure it is charged and properly connected. Charge or replace the battery if necessary. Please note that both AutoZone and O'Reilly Auto Parts offer free battery volt and amp testing upon request. We also recommend trickle charging the battery for at least 8 hours before it's initial use to extend the longevity of your battery's life.



Check the ignition switch and make sure it is functioning properly. Replace the switch if necessary.



Check the wiring connections and make sure they are not loose or corroded. Clean or replace any damaged connections.



Check the stator and regulator/rectifier and make sure they are functioning properly. Replace any faulty components if necessary.

TRANSMISSION ISSUES



Check the transmission fluid level and make sure it is topped off.



Check the transmission filter and make sure it is clean and not clogged.

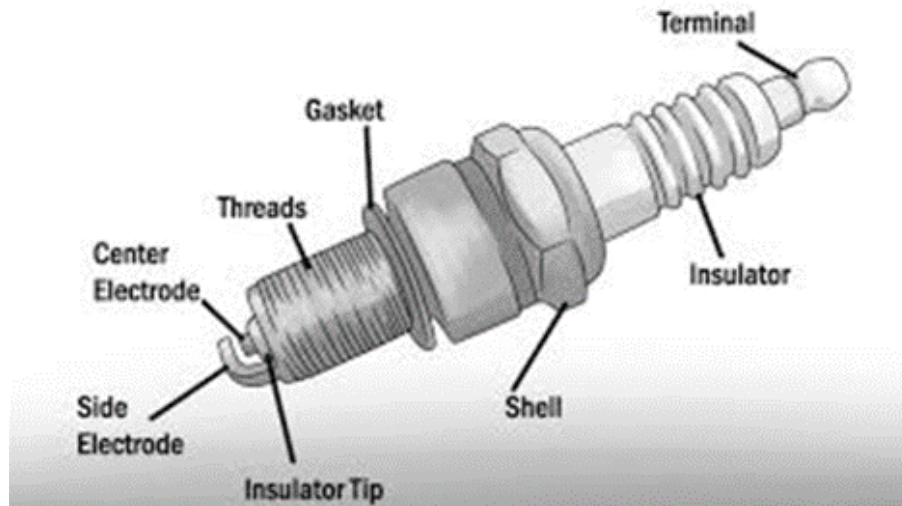


Check the shift linkage and make sure it is properly adjusted.



Check the drive belt and make sure it is not worn or damaged.

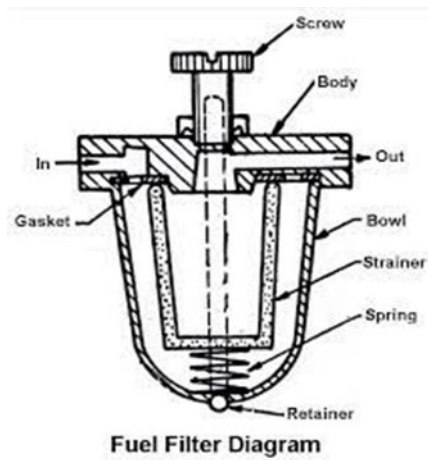
ENGINE RUNS ROUGH



Check the spark plugs and make sure they are clean and properly gapped.



Check the air filter and clean or replace it if necessary.



Check the fuel filter and make sure it is clean and not clogged.



Check the fuel pressure and make sure it is within the proper range.



Check the exhaust system and make sure it is not clogged.