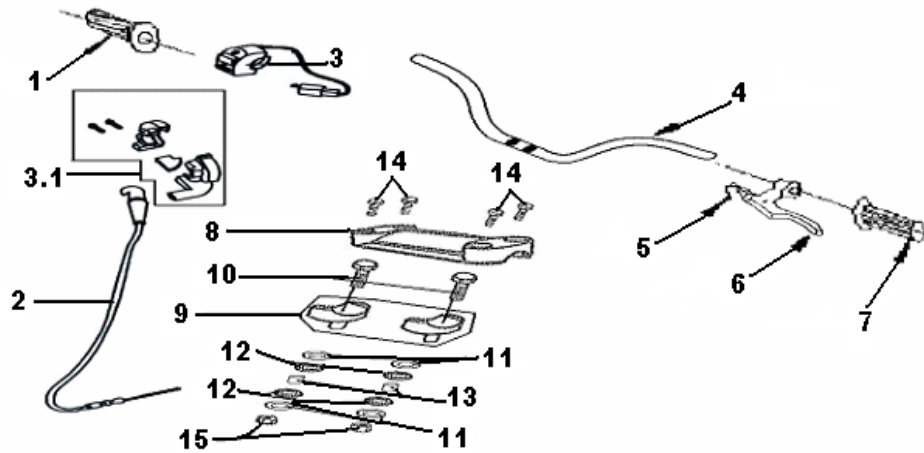


## FALCON 200CC MINI BIKE PARTS CATALOGUE

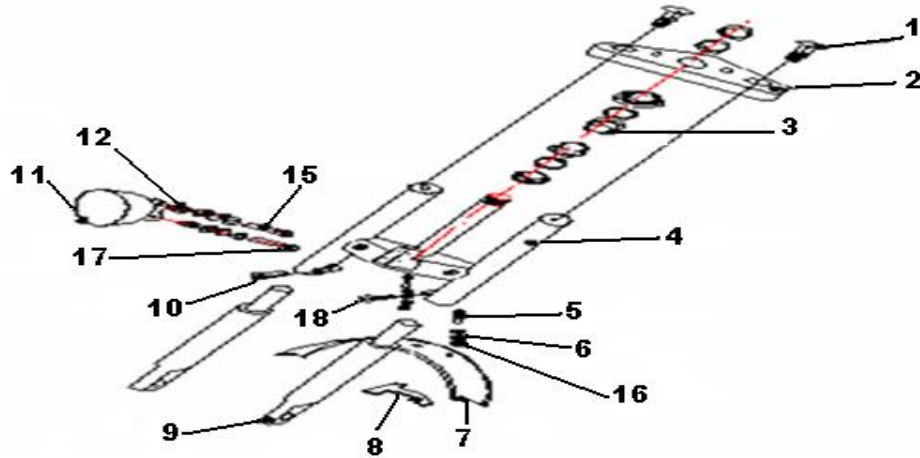


**HANDLE BAR ASSEMBLY**



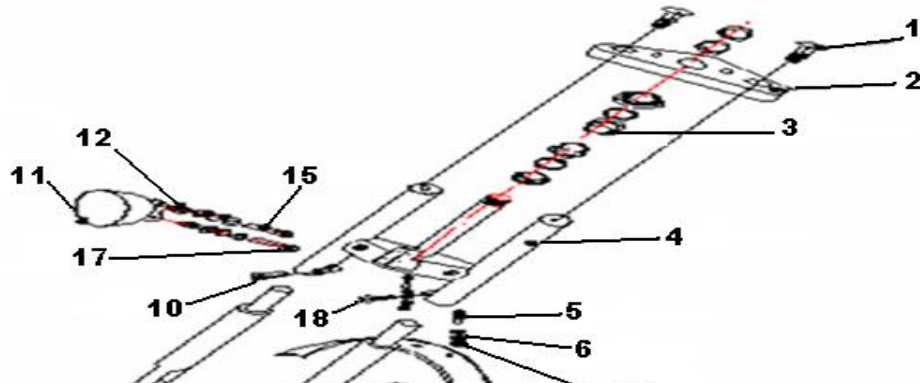
Item No.	Description	Chinese	Qty.
1	GRIP, RIGHT, THROTTLE CONTROL	油门手把	
2	CABLE, THROTTLE	油门线	
3	STOP SWITCH WITH CABLE (ON/OFF)	刹车开关 (含刹车线)	
3.1	HOUSING, THROTTLE CABLE	油门线座	
4	HANDLEBAR	手把管	
5	CABLE, BRAKE	刹车线	
6	LEVER, LEFT BRAKE	左刹车手把	
7	GRIP, LEFT	左手把胶	
8	BRACKET, UPPER HANDLEBAR	手把管上安装支架	
9	BRACKET, LOWER HANDLEBAR	手把管下安装支架	
10	BOLT M10-1.25X45, HEX (PT)	螺栓M10*45	
11	WASHER, BEVELED COVER	垫片	
12	WASHER, RUBBER	橡胶片	
13	SPACER	隔套	
14	BOLT M8-1.25X25, ALLEN (FT)	螺栓M8*25	
15	NUT M10-1.5X8, HEX	螺母 M10	

**FRONT FORK ASSEMBLY**



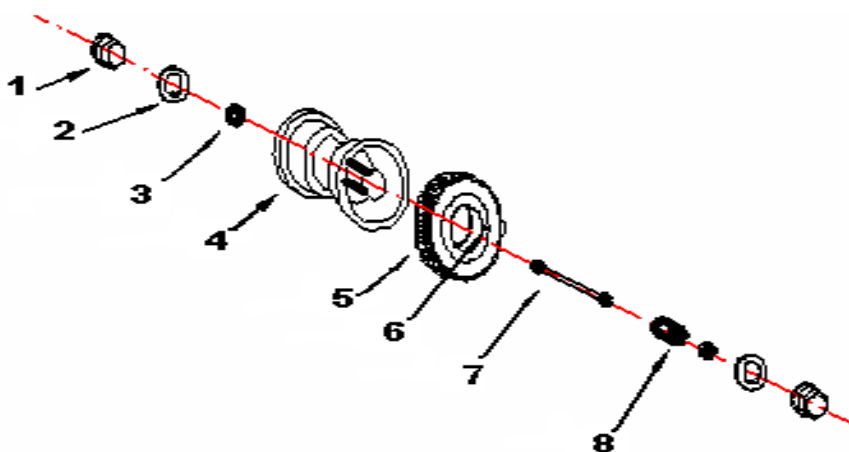
Item No.	DESCRIPTION	Chinese	Qty.
1	BOLT M10-1.5X25, FLANGE (FT/S)	螺钉M10×30	
2	BRIDGE, FORK TOP	上联板	
3	BEARING ASSEMBLY, STEERING STEM	前叉管上下轴承 (8个垫片)	
4	DOWN BOARD	下板	
5	BOLT M6-1.0X20, FLANGE (FT)	螺钉 M6×20	
6	WASHER,	垫片M6	
7	FENDER, FRONT, BLACK	前挡泥 (黑色)	
7	FRONT FENDER GREEN	前挡泥 (绿色)	
8	BRACKET, FRONT FENDER	前左挡泥支架	
9	FORK, FRONT	前减震器	
10	BOLT M10-1.5X40, HEX (FT)	螺钉M10×40	
11	HEADLIGHT, PLASTIC	前大灯 (塑料)	
11	HEADLIGHT, METAL	前大灯 (金属)	
12	BOLT M6-1.0X50, FLANGE (PT)	螺钉M6	
15	M6x55 BOLT	螺栓M6×55	
	BULB, HEADLIGHT 12V35W	前大灯灯泡	

**FRONT FORK ASSEMBLY**





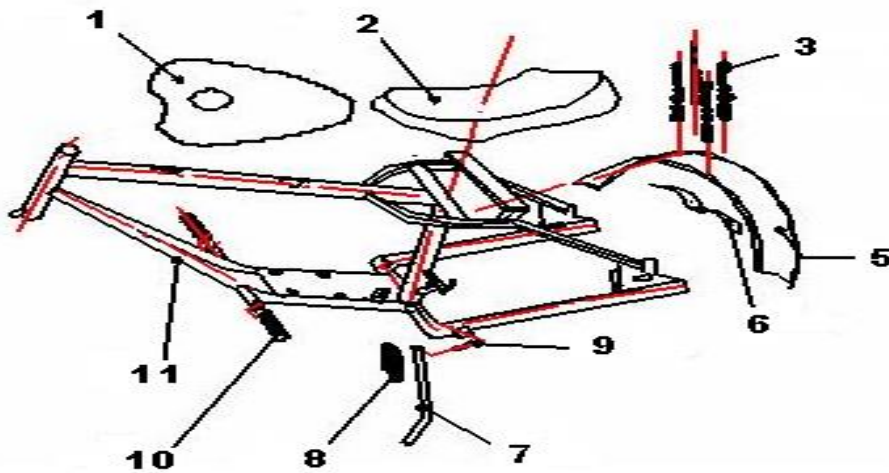
Item No.	DESCRIPTION		Qty.
16	NUT M6-1.0X6, FLANGE SPRING LOCK	螺母M6	
17	NUT M6-1.0X6, FLANGE SPRING LOCK	上锁螺母M6	
18	WASHER M10X20X2, PLATE	平垫M10X20X2	
19	WASHER M10X16X3, SPRING	弹垫M10X16X3	

**FRONT WHEEL ASSEMBLY**


Item No.	DESCRIPTION		Qty.
1	NUT M14-1.5X13, FLANGE SELF LOCK	前轮轴锁紧螺母M14×1.5	
2	BUSHING, 16MM X 25MM	垫圈Φ16×30	
3	BEARING 6202	轴承 6202	
4	RIM, FRONT WHEEL	前轮圈	
5	TIRE, FRONT AND REAR 19 X 7.00-8	轮胎	
6	VALVE	气门嘴	
7	SHAFT, FRONT WHEEL	前轮轴承	

8	BUSHING, MIDDLE, FRONT WHEEL	前轮中衬套	

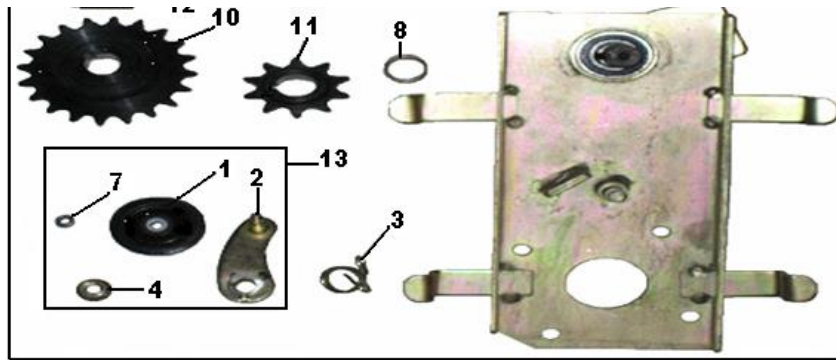
FRAME ASSEMBLY



Item No.	Description		Qty.
1	TANK, DECORATIVE	装饰油箱	
2	SEAT, <b>BLACK</b>	坐垫 (黑色)	
3	BOLT M6-1.0X15, FLANGE (FT)	螺栓M6×15	
5	FENDER, REAR	后档泥	
6	BRACKET, FENDER, REAR	后档泥支架	
7	KICKSTAND	侧支架	
8	SPRING, KICKSTAND	侧支架弹簧	
9	BOLT M10-1.25X35, HEX (PT/S)	侧支架螺钉	
10	FOOT REST	搁脚	
11	FRAME	车架	
12	NUT M8-1.25X8, FLANGE SELF LOCK	坐垫螺母M8	

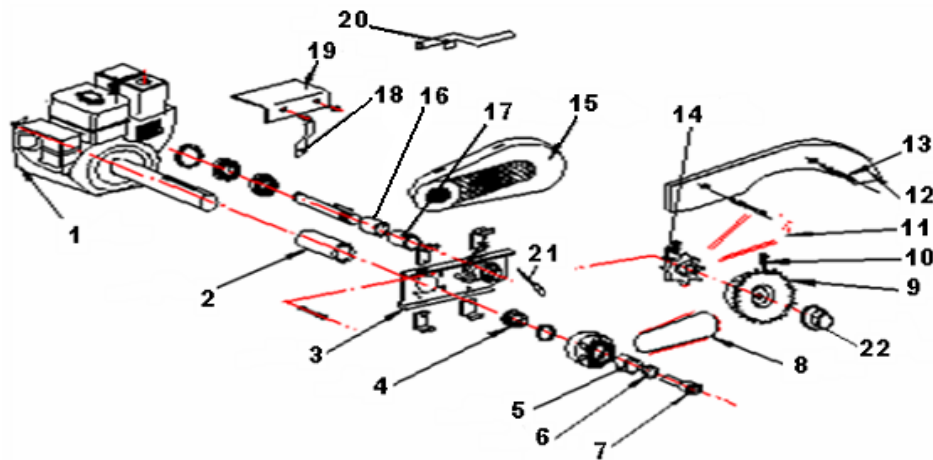
JACKSHAFT AND CHAIN TENSIONER





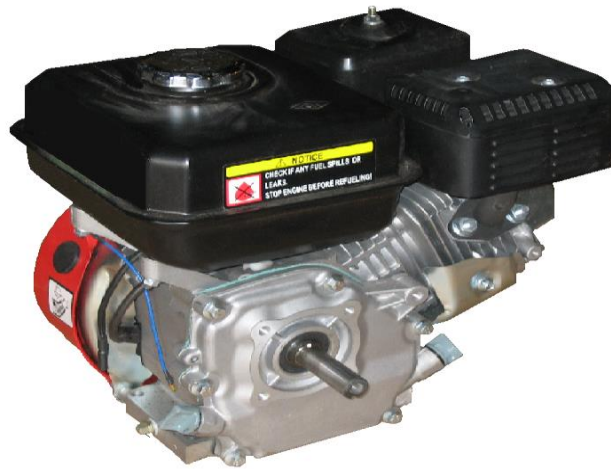
Item No.	Description		Qty.
1	ROLLER 4 CHAIN TENSIONER	链条张紧轮	
2	CHAIN TENSIONER	张紧轮支撑架	
3	CHAIN TENSIONER SPRING	张紧轮链条弹簧	
4	NUT M8-1.25X9, FLANGE SELF LOCK	张紧轮链条螺母	
5	NUT M16-1.5X16, FLANGE SELF LOCK	链齿轮螺母	
6	WOODRUFF KEY FOR SPROCKETS	链齿轮平垫	
7	NUT M5-0.8X5, HEX NYLON	链条张紧轮安装螺母	
8	BUSHING FOR SPROCKETS	链齿轮衬套	
9	JACK SHAFT WITHOUT 2 SPROCKETS	过桥安装板	
10	SPROCKET 1	链齿轮1	
11	SPROCKET 2	链齿轮2	
12	M8*25 ADJUSTING SCREW W/ NUT	调节螺栓M8*25	
	NUT M8-1.25X7, HEX	调节螺母	
13	CHAIN TENSIONER ASSY	链条张紧轮总成	
14	JACKSHAFT ASSEMBLY	过桥总成	
15	WASHER M8X24X2, PLATE	垫片8MM	
16	BOLT M8-1.25X16, FLANGE (FT)	螺栓M8-1.25X16	

## ENGINE



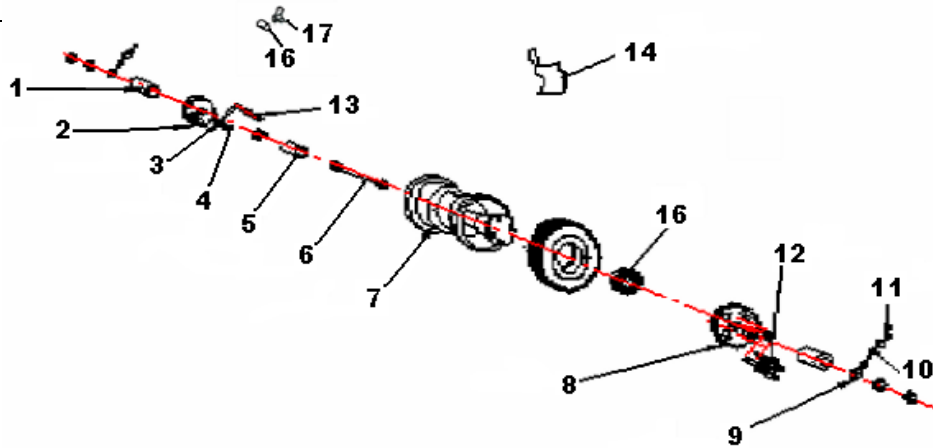
Item No.	DESCRIPTION		Qty.
2	BUSH FOR ENGINE	发动机衬套	
8	CHAIN 1 SMALL	小链条1	
11	CHAIN 2 LARGE	大链条2	
12	CHAIN COVER	链盒	
13	BOLT M6-1.0X10, HEX (FT)	螺栓M6×10	
15	CLUTCH COVER	离合器盖	
16	SHAFT 2 BUSH	长衬套 (过桥内)	
17	SHAFT 2 BUSH	短衬套 (过桥内)	
18	EXHAUST COVER BRACKET	消声器护罩支架	
19	EXHAUST COVER	消声器护罩	
20	EXHAUST PIPE (A W PART # 165-196)	消声器管	
21	BOLT M8-1.25X20, FLANGE (FT)	过桥安装螺栓M8*16 GB5787	
22	NUT, SPROCKET 1		

**ENGINE**

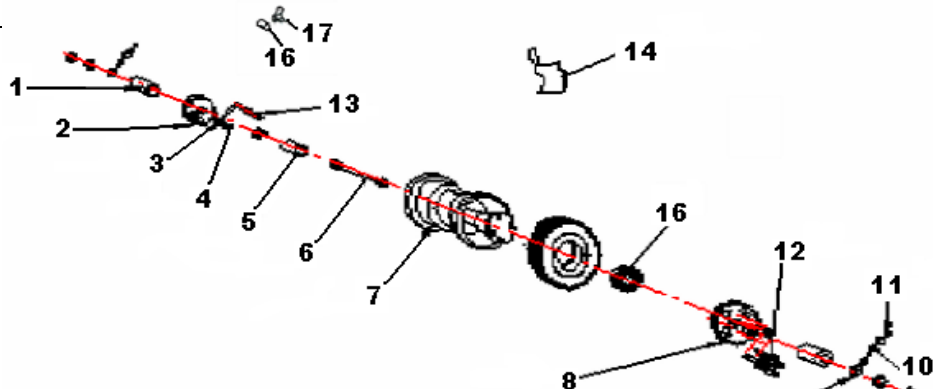


Item No.	Description		Qty.
1	ENGINE(6.5 HP MINI BIKE)	发动机	




**REAR WHEEL ASSEMBLY**


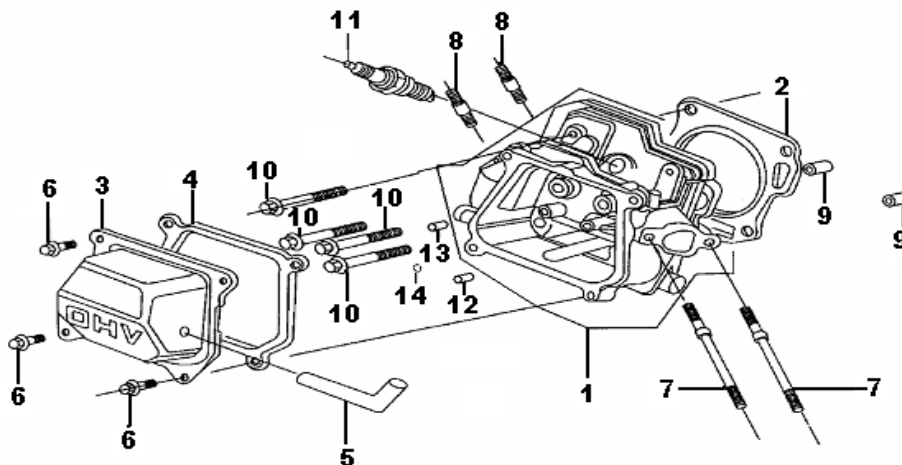
Item No.	DESCRIPTION		Qty.
1	BUSHING, LEFT REAR WHEEL	左后轮衬套	
	BUSHING, RIGHT REAR WHEEL 1.5"	右后轮衬套	
2	BRAKE ASSEMBLY	刹车总成	
3	BRAKE POLE	后制动臂	
4	BOLT M8-1.25X25, FLANGE (FT)	螺钉M8×25	
5	BUSHING, MIDDLE REAR WHEEL	后轮中衬套	
6	REAR SHAFT	后轮轴	
7	REAR RIM	后轮圈	
8	BIG SPROCKET	大链齿轮	
9	REAR AXLE ADJUSTING ASSEMBLY	调节螺钉	
10	WASHER M6X17X1, PLATE	垫片Φ6	
11	NUT M6-1.0X5, HEX	螺母 M6	
12	BOLT M8-1.25X25, HEX (FT)	螺钉M8×25	
13	BOLT M8-1.25X30, HEX (PT/S)	螺钉M8×30	
14	TOOL KIT	工具袋 (含工具)	
15	TIRE, FRONT AND REAR 19 X 7.00-8	轮胎	
16	BEARING 6202	轴承6202	

**REAR WHEEL ASSEMBLY**




Item No.	DESCRIPTION	Qty.
16	BRAKE CABLE BARREL	后制动拉索横销
17	ADJUSTING NUT	后制动拉索调节螺母

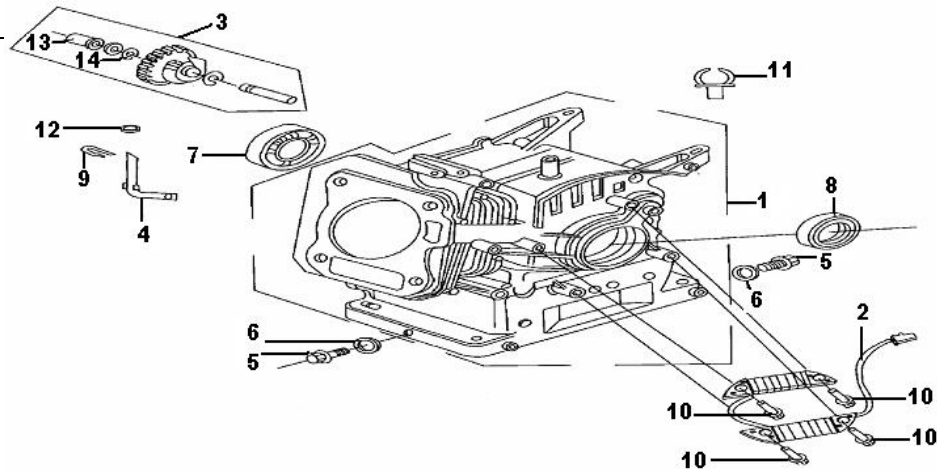
**CYLINDER HEAD**



Item No.	Description	Qty.
1	CYLINDER HEAD ASSEMBLY	汽缸头总成
2	GASKET, CYLINDER HEAD	汽缸头垫片
3	CYLINDER HEAD COVER	汽缸头盖
4	GASKET, CYLINDER HEAR COVER	汽缸头盖垫片
5	TUBE BREATHER	进气管
6	BOLT M6-1.0X12, FLANGE (FT)	凸缘螺钉6X12
7	STUD BOLT M6-1.0X108	进气管螺母 6X99

8	STUD BOLT M8-1.25X34	排气管螺母8X32	
9	PIN DOWEL 10X14	销子10X14	
10	BOLT M8-1.25X60, FLANGE (PT)	凸缘螺钉8X60	
11	SPARK PLUG	火花塞	
12	GUIDE, IN.VALVE(OVERSIZE)	气门套管	
13	GUIDE, VALVE(OVERSIZE)	气门套管	
14	CLIP, VALVE GUIDE	气门套管卡圈	

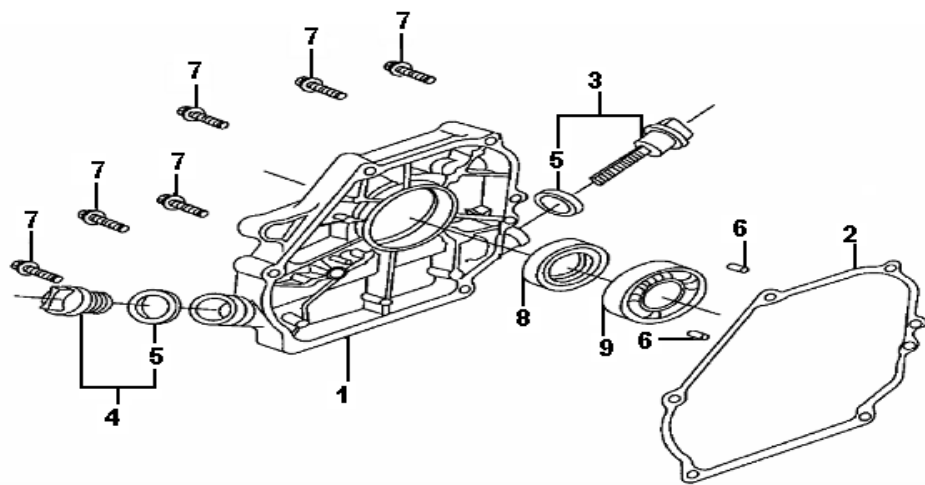
CYLINDER ASSY.



Item No.	Description		Qty.
1	CRANKSHAFT CASE	曲轴箱	
2	CHARGE COIL	充电线圈	
3	GEAR, SPEED ADJUSTING	速度调节齿轮	
4	SWING LEVEL, SPEED ADJUSTING	速度调节杆	
5	BOLT M10-1.25X15, FLANGE (FT)	放油螺栓10X15	
6	WASHER M10X16X2, PLATE	放油垫片 10. 2MM	
7	BEARING RADIAL BALL	曲轴轴承	
8	OIL SEAL 25X41.25X6	油封25X41. 25X6	
9	PIN M25, LOCK	销子	
10	BOLT M6-1.0X25, FLANGE (FT)	凸缘螺栓6X25	
11	CIRCLIP, COIL	燕尾夹	
12	WASHER M5X15X1, PLATE	6MM垫片	
13	SLIDER, GOVERNER		
14	CLIP, GOVERNER HOLDER		

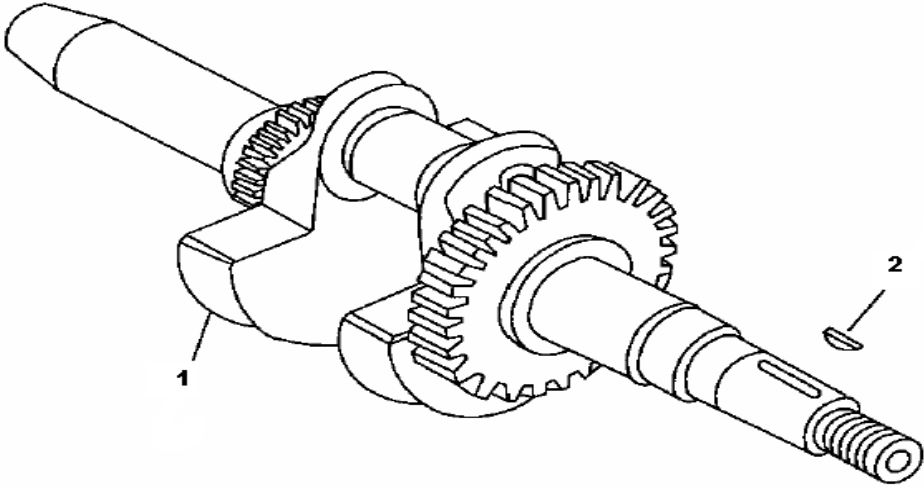
--	--	--	--

**CRANKCASE COVER**



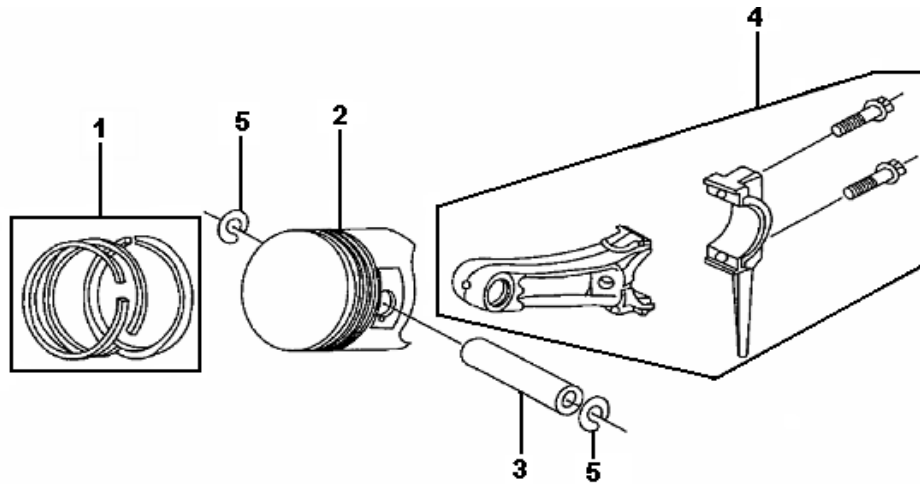
Item No.	Description		Qty.
1	CRANKSHAFT CASE COVER	曲轴箱盖	
2	PACKING, CASE COVER	曲轴箱盖垫片	
3	GAUGE OIL LEVEL	机油尺	
4	PLUG, OIL	堵头	
5	SEAL, GAUGE OIL LEVEL	机油尺密封垫	
6	PIN DOWEL 8X14	销子8X14	
7	BOLT M8-1.25X30, FLANGE (FT)	凸缘螺栓8X32	
8	OIL SEAL, CRANKSHAFT 25X41.25X6	机轴油封25X41.25X6	
9	BEARING RADIAL BALL	曲轴轴承	

CRANKSHAFT



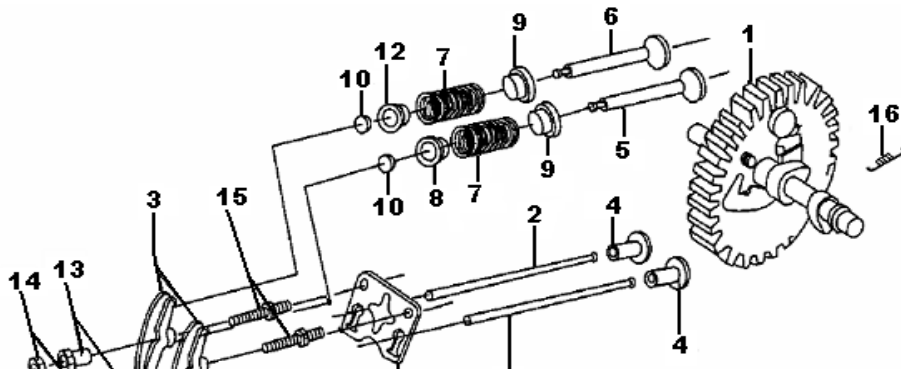
Item No.	Description		Qty.
1	CRANKSHAFT COMP	发动机轴承总成	
2	KEY, SPECIAL WOODRUFF 4X19	曲轴半圆键	

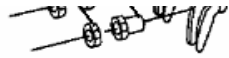
PISTON& ROD



Item No.	Description		Qty.
1	RINGSET, PISTON	活塞环	
2	PISTON	活塞	
3	PIN, PISTON	活塞销子	
4	ROD ASSEMBLY CONNECTING	套管杆总成	
5	CLIP, PISTON PIN 18MM	夹子 18MM	

CAMSHAFT

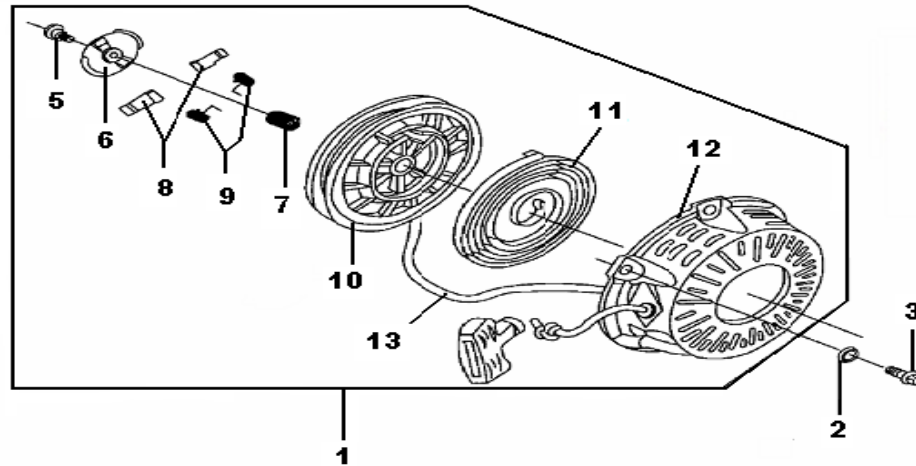




| 2  
11

Item No.	Description		Qty.
1	CAMSHAFT ASSEMBLY	凸轮轴总成	
2	ROD PUSH	推杆	
3	VALVE ROCKER	气阀摇臂	
4	LIFTER, VALVE ROCKER	气门挺杆	
5	VALVE, IN	进气阀	
6	VALVE, EX	排气阀	
7	SPRING VALVE	阀门弹簧	
8	RETAINER, IN VALVE SPRING	弹簧固定器	
9	OIL SEAL, VALVE	阀门油封	
10	ROTATOR, VALVE	阀门转动体	
11	PLATE, PUSH ROD GUIDE	推杆盘	
12	RETAINER, EX VALVE SPRING	排气阀门弹簧固定器	
13	PIVOT ROCKER ARM	调节螺母	
14	NUT M6-1.25X5, HEX REVERSE THREAD	调节轴螺母	
15	BOLT, PIVOT (8MM)	螺钉	
16	SPRING, WEIGHT RETURN	回位簧	

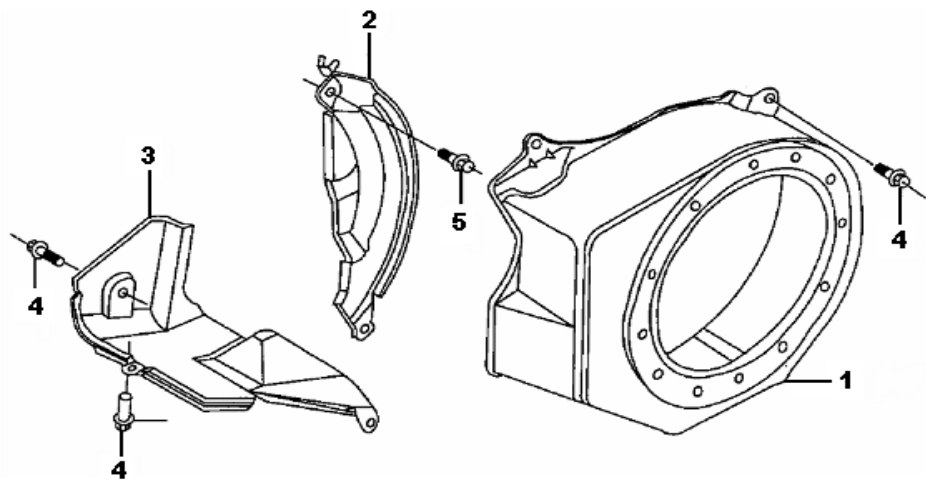
**RECOIL STARTER**



Item No.	Description		Qty.
1	STARTER ASSY RECOIL	启动盘总成	
2	WASHER 6MM	垫片6MM	
3	BOLT M10-1.0X10, FLANGE (FT)	凸缘螺钉	
5	BOLT M5-0.8X16, FLANGE (PT/S)		
6	*GUIDE, RATCHET	导向板	
7	*SPRING FRICTION	中心簧	

8	*RATCHET, STARTER		
9	*SPRING, RATCHET		
10	*REEL, RECOIL STARTER		
11	SPRING, RECOIL STARTER		
12	CASE COMP, RECOIL STARTER		
13	ROPE, RECOIL STARTER		

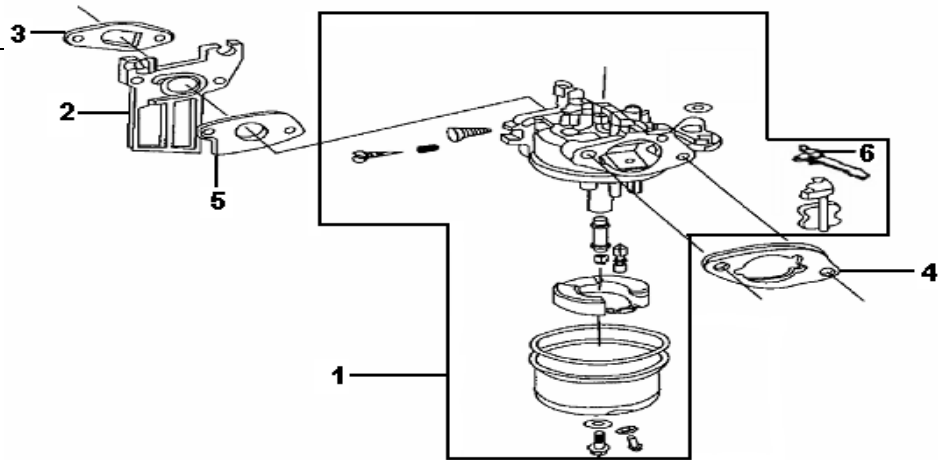
FAN COVER



Item No.	Description		Qty.
1	COVER COMP FAN	风罩总成	
2	LOWER PROTECTING COVER	下护罩	
3	COVER COMP FAN	导流罩	
4	BOLT M6-1.0X12, FLANGE (FT)	凸缘螺钉6X12	
5	BOLT M6-1.0X20, FLANGE (FT)	凸缘螺钉 6X20	

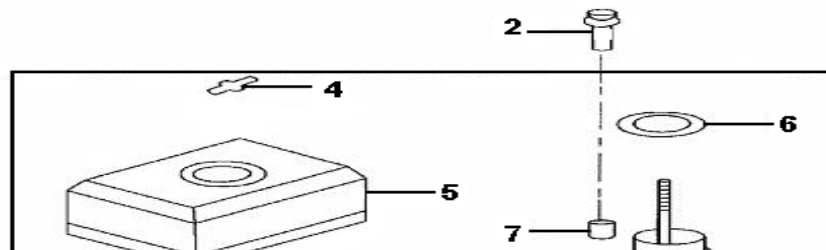


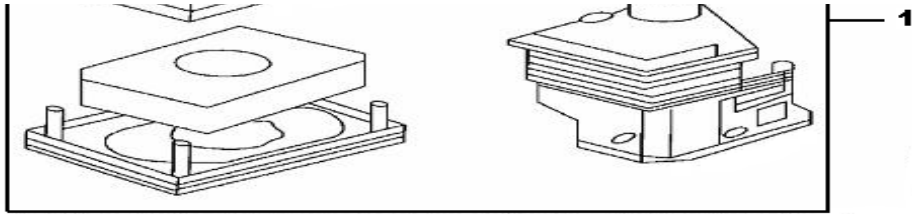
**CARBURETOR**



Item No.	Description		Qty.
1	CARBURETOR ASSEMBLY	化油器总成	
2	INSULATOR, CARB	化油器绝缘体	
3	GASKET, PIPE INTAKE	进气管垫片	
4	BUSH, AIR CLEANER	空滤器衬套	
5	GASKET, INSULATOR	绝缘体垫片	
6	LEVER COMP,CHOKE (STD)	风门手柄	
	DRAIN PLUG, CARBURETOR		

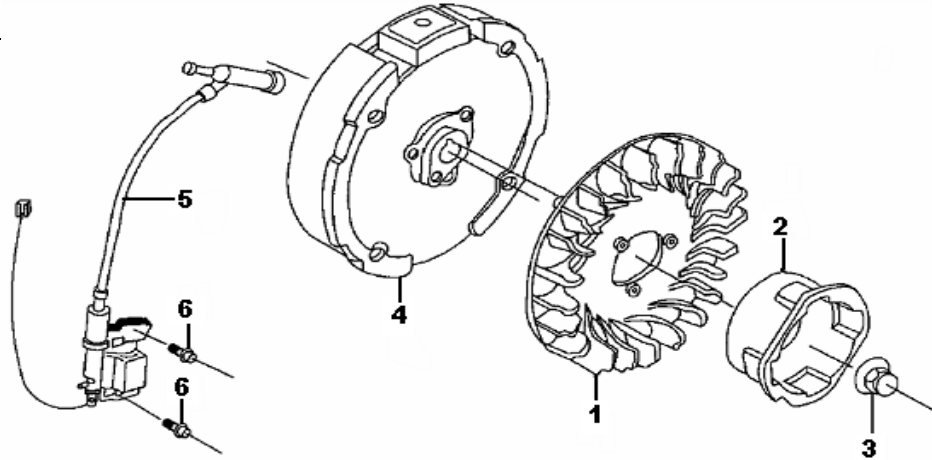
**AIR CLEANER**





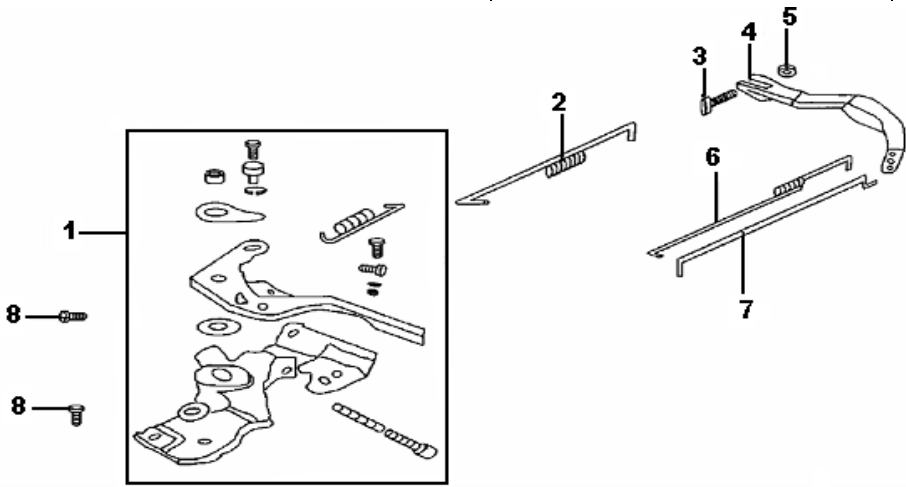
Item No.	Description		Qty.
1	AIR CLEANER ASSEMBLY	空滤器总成	
2	BOLT M6-1.0X25, FLANGE (FT)	6X25 螺栓	
4	NUT M6-1.0, WING	蝶形螺母	
5	COVER AIR CLEANER	空滤器盖	
6	GASKET, ELBOW	垫片	
7	AIR CLEANER COLLAR B	空滤器安装衬套	
	ELEMENT, AIR CLEANER	空滤器滤芯	

**FLYWHEEL**



Item No.	Description		Qty.
1	FAN COOLING	冷却风扇	
2	PULLEY STARTER	启动滑轮	
3	NUT M14-1.5X13, FLANGE SPRING LOCK	螺母14MM	
4	FLYWHEEL COMP, 1 MAGNET	飞轮总成	
5	COIL ASSEMBLY IGNITION	点火线圈总成	
6	BOLT M6-1.0X25, FLANGE (FT)	6X25 螺栓	

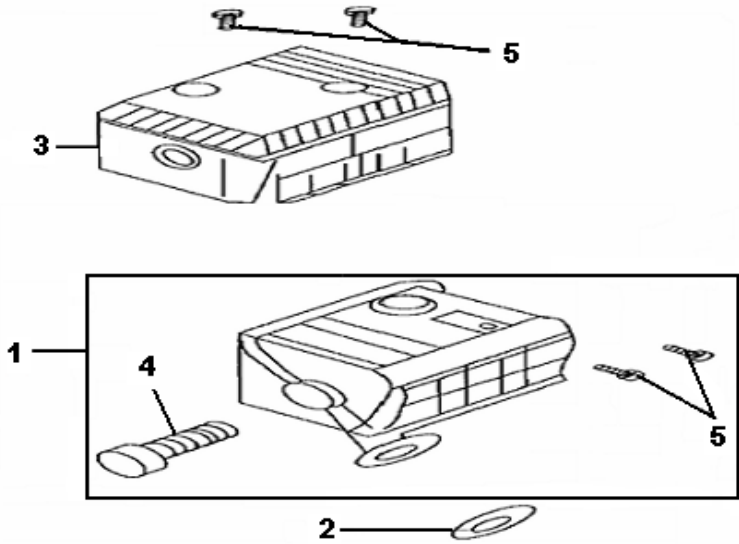
**CONTROL**



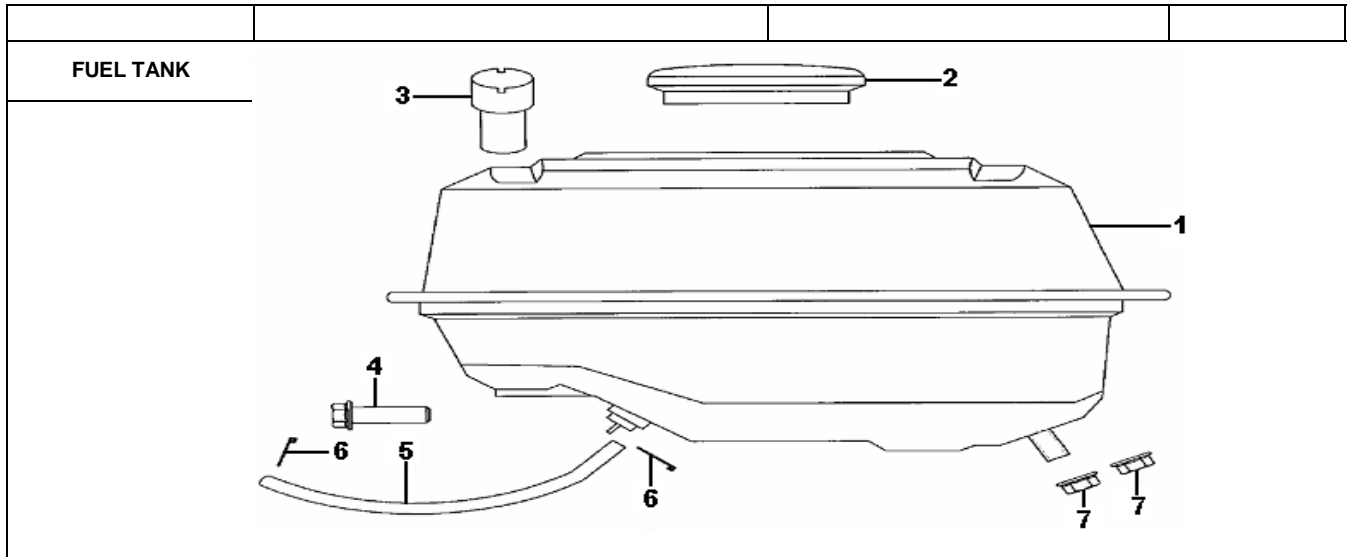
Item No.	Description		Qty.
1	CONTROL ASSEMBLY (THROTTLE)	控制总成（油门）	
2	SPRING A, THROTTLE	油门大簧	
3	"T" BOLT	T型螺栓	
4	ARM, SPEED ADJUSTING	速度调节臂	
5	NUT M6-1.0X6, FLANGE SPRING LOCK	螺母 6MM	
6	SPRING, THROTTLE RETURN	油门小簧	

7	ROD, SPEED ADJUSTING	速度调节杆	
8	BOLT M6-1.0X12, FLANGE (FT)	螺栓6X12	

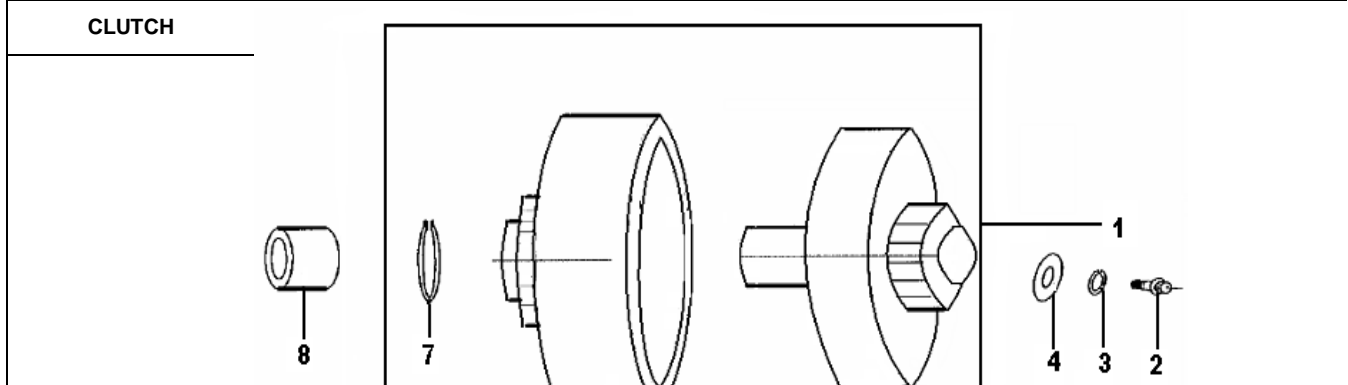
**MUFFLER**

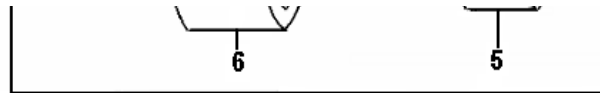


Item No.	Description		Qty.
1	MUFFLER COMP	消声器总成	
2	GASKET, MUFFLER	消声器垫片	
3	PROTECT, MUFFLER OUTER	消声器保护罩	
4	ARRESTER, SPARK	火花消除器	
5	BOLT M4-0.7X7, ROUND (FT)	螺钉5X8	



Item No.	Description		Qty.
1	TANK, FUEL	油箱总成	
2	CAP, FUEL TANK	油箱盖	
3	FILTER, FUEL	燃油过滤器	
4	BOLT M6-1.0X30, FLANGE (FT)	螺钉5X30	
5	TUBE, FUEL	油管	
6	CLIP	夹子	
7	NUT M6-1.0X6, FLANGE SPRING LOCK	螺母M6	





Item No.	Description		Qty.
1	CLUTCH ASSEMBLY, 3/4" SHAFT	离合器总成	
2	BOLT M8-1.0X25, FLANGE (FT)	螺钉M8×30	
3	SPRING GASKET 8	垫圈弹簧8	
4	WASHER M8X24X2, PLATE	大垫圈	
5	MAIN DISC COMP, CLUTCH		
6	COVER COMP, CLUTCH		
7	CIRCLIP, CLUTCH	离合器卡子	
8	BUSHING, CLUTCH	离合器衬套	