

CANYON 250CC UTILITY ATV ENGINE PARTS CATALOGUE

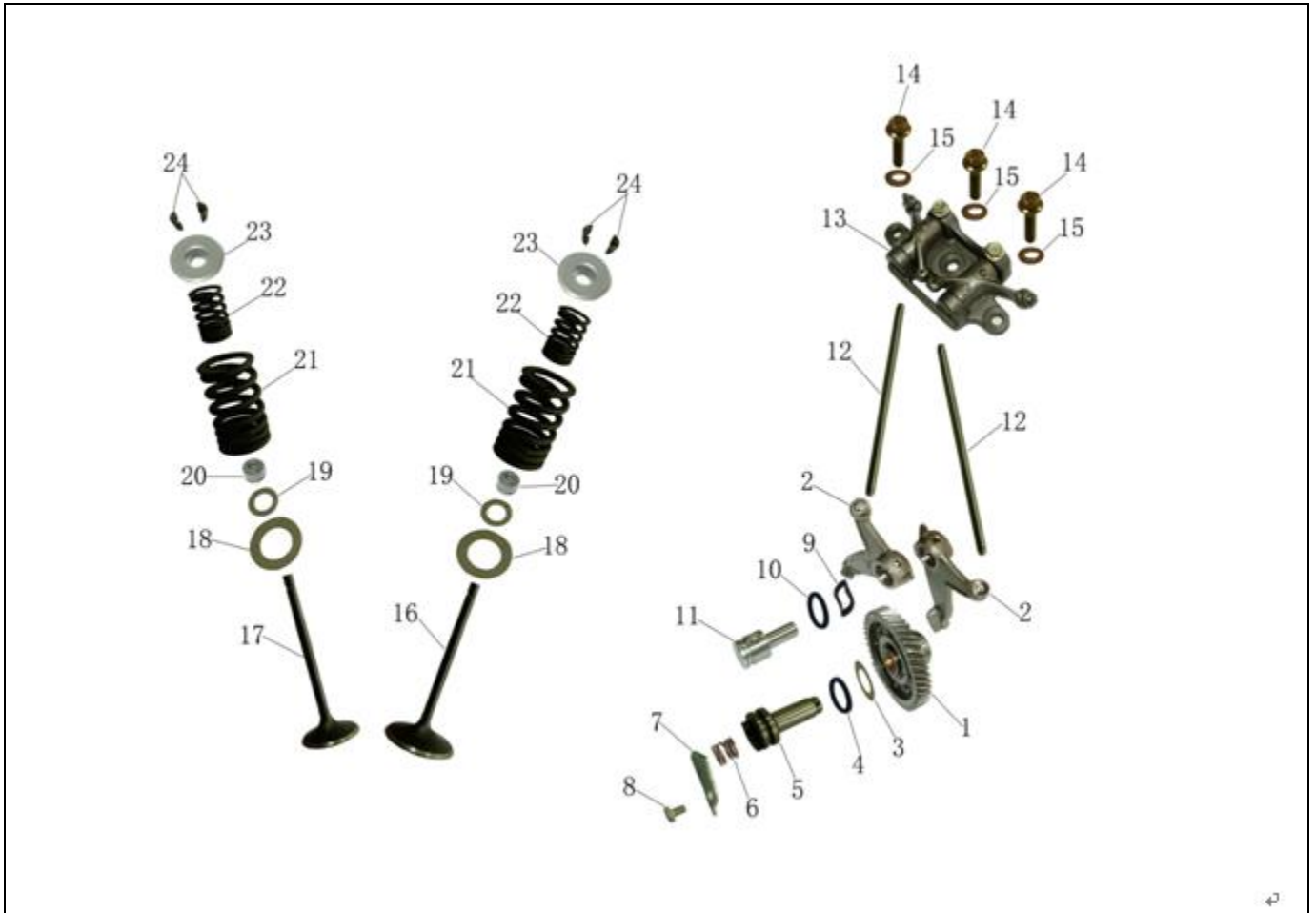
一. 气缸头、气缸体 Cylinder head, cylinder body



序号 RefNo	编号 Part No	中文名称 Chinese Description	英文名称 English Description	数量 Qty	备注 Remark
1	FN200-015000-0000	气缸体	Cylinder body	1	
2	Q/HSQ 5789-2003	螺栓 M6×22	Bolt M6×22	2	
3	FJ100-000001-1014	定位销 φ10×14	Dowel pin φ10×14	2	
4	FN200-010014-0000	缸体密封垫	Cylinder body gasket	1	
5	FJ100-000001-1020	定位销 φ10×20	Dowel pin φ10×20	3	
6	Q/HSQ 7757-2003	O 型圈 φ10×1.6	O ring φ10×1.6	1	
7	FN200-010050-0000	缸头密封垫	Cylinder gasket	1	
8	FJ100-000002-0002	铜垫 φ8×17×2	Copper gasket φ8×17× 2	1	
9	Q/HSQ 5787-2003	螺栓 M8×83	Bolt M8×83	1	
10	FN200-011100-0000	气缸头组合	Cylinder head assy	1	
11	Q/HSQ 7757-2003	O 型圈 φ33.5×3	O ring φ33.5×3	1	
12	FN200-010030-0000	进气管	Pipe intake	1	
13	GB/T 5783-2000	螺栓 M6×20	Bolt M6×20	2	
14	FJ100-011012-0000	排气管双头螺栓	Double head bolt, exhaust	2	M8×40

15	FJ100-010002-0000	缸头盖密封垫	Gasket, cylinder head cover	1	
16	FN200-010101-0000	缸头盖	Cylinder head cover	1	
17	Q/HSQ 5789-2003	螺栓 M6×28	Bolt M6×28	3	
18	FJ100-000002-0002	铜垫 φ6×13×1.5	Copper gasket φ6×13×1.5	1	
19	Q/HSQ 5787-2003	螺栓 M6×12	Bolt M6×12	1	
20	FJ100-010001-0000	火花塞	Spark plug	1	

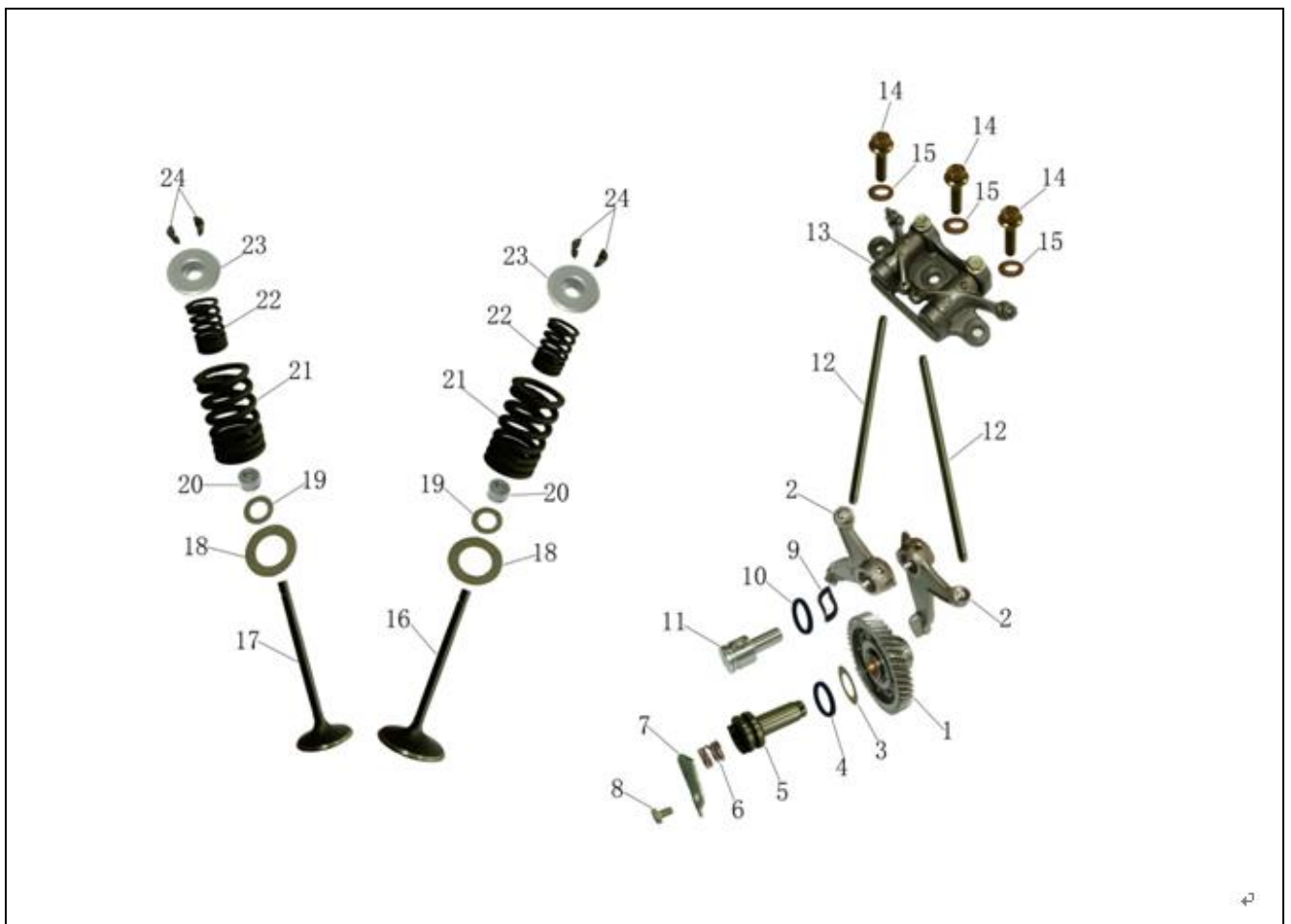
二. 配气机构 VALVE SYSTEM



序号 RefNo	编号 Part No	中文名称 Chinese Description	英文名称 English Description	数量 Qty	备注 Remark
1	FJ100-012000-0000	配气凸轮部件	Valve cam assy	1	
2	FJ100-010021-0000	下摇臂	Lower swing arm	2	
3	FJ100-010025-0000	凸轮芯轴垫圈	Gasket, valve cam core shaft	1	
4	Q/HSQ 7757-2003	O 型圈 φ20×2.5	O ring φ20×2.5	1	
5	FN200-010024-0000	凸轮芯轴	Valve cam core shaft	1	
6	FJ100-030036-0000	压簧	Spring	1	
7	FJ100-030035-0000	凸轮芯轴压板	Pressed plate, valve cam core shaft	1	
8	GB/T 5783-2000	螺栓 M6×12	Bolt M6×12	1	
9	FJ100-010023-0000	波形垫圈	Gasket	1	

10	Q/HSQ 7757-2003	O 型圈 $\phi 17 \times 2.5$	O ring $\phi 17 \times 2.5$	1	
11	FN200-010022-0000	下摇臂轴	Lower swing arm shaft	1	
12	FN200-0010010-0000	推杆	Push rod	2	
13	FJ1F0-013000-0000	上摇臂	Upper swing arm	1	
14	Q/HSQ 5789-2003	螺栓 M8 \times 32	Bolt M8 \times 32	3	
15	FJ100-000002-0002	铜垫 $\phi 8 \times 17 \times 2$	Copper gasket $\phi 8 \times 17 \times 2$	3	
16	FN200-011001-0000	进气门	Valve, intake	1	
17	FN200-011002-0000	排气门	Valve, exhaust	1	
18	FJ100-011009-0000	气门外弹簧座圈	Spring inner ring, valve	2	
19	FJ100-011008-0000	气门内弹簧座圈	Spring outer ring, valve	2	
20	FJ100-011106-0000	档油罩	Engine oil splash cover	2	
21	FJ100-011007-0000	气门外弹簧	Outer spring, valve	2	

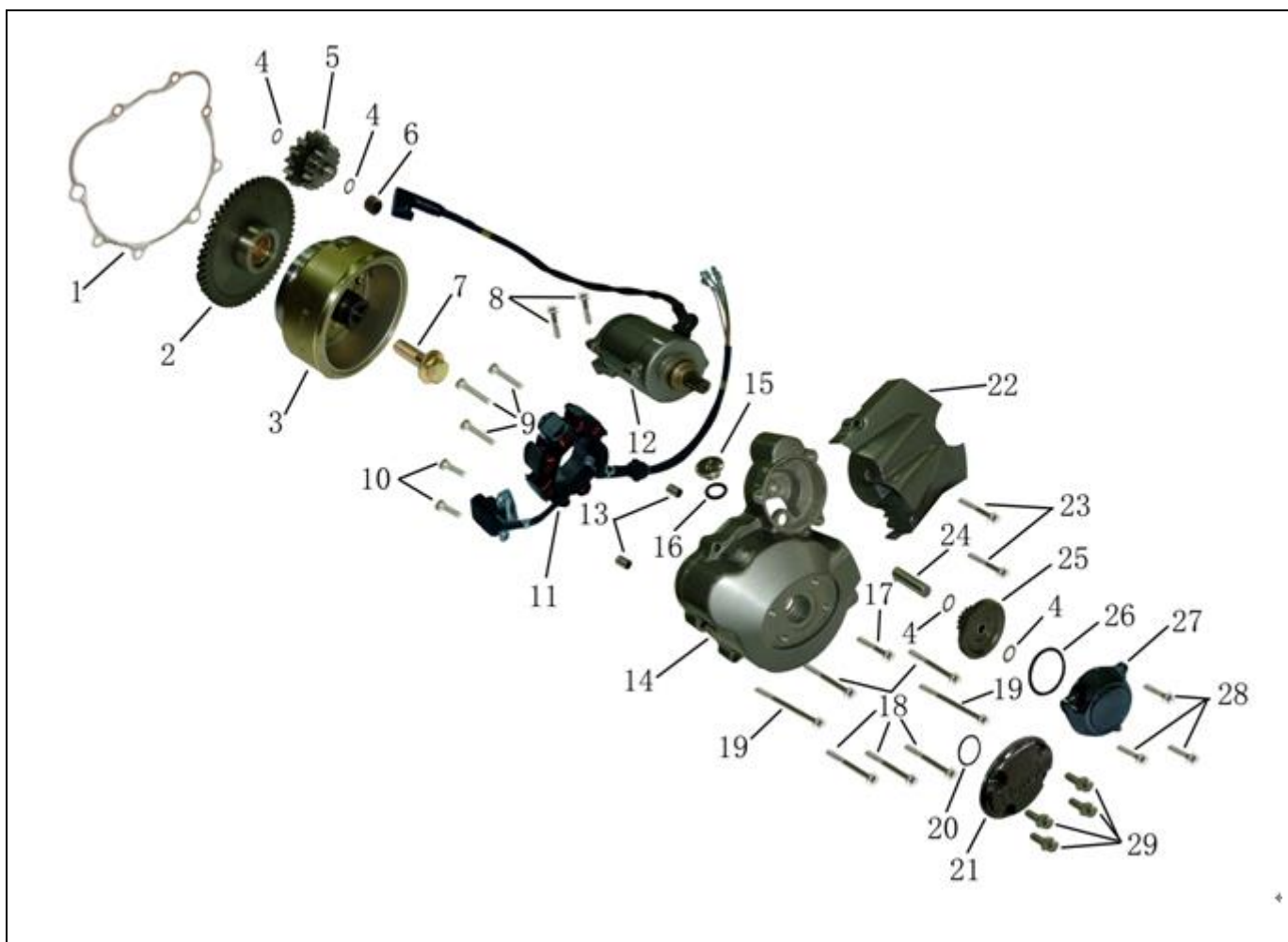
二. 配气机构 VALVE SYSTEM



序号 RefNo	编号 Part No	中文名称 Chinese Description	英文名称 English Description	数量 Qty	备注 Remark
22	FJ100-011006-0000	气门内弹簧	Inner spring, valve	2	
23	FJ100-011004-0000	进气门弹簧座	Spring base, valve	2	
24	FJ100-011003-0000	气门锁夹	Locker, valve	4	

三. 磁电机、起动电机、左曲轴箱盖

Magneto, Starting motor, Left crankcase cover

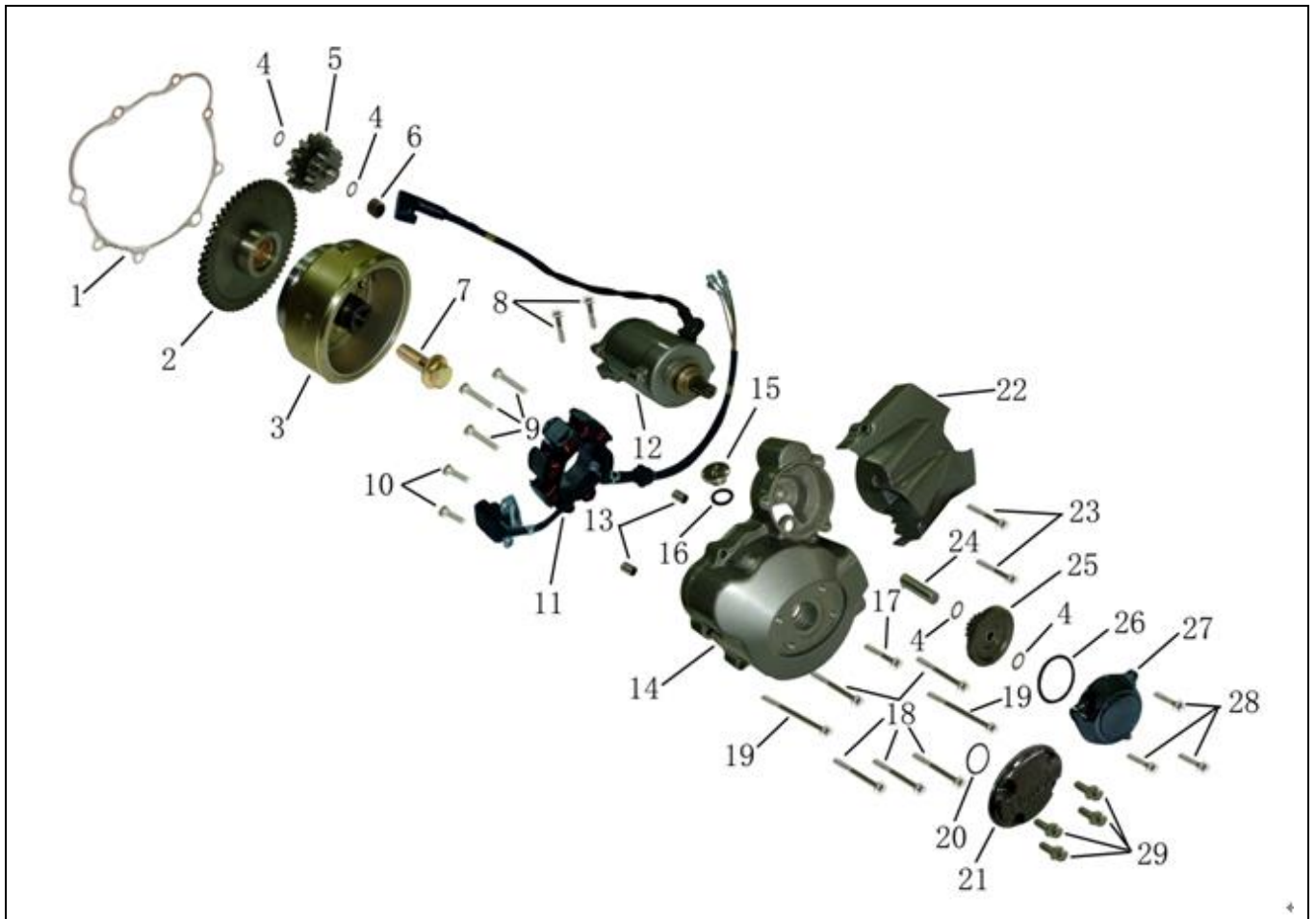


序号 RefNO	编号 Part No	零部件名称 Chinese Description	英文名称 English Description	数量 Qty	备注 Remark
1	FJ100-030048-0000	左曲轴箱盖垫	Gasket, left crankcase cover	1	
2	FN200-062017-0000	大齿（链）盘组合	Big gear(sprocket)assy	1	
3	FN200-071001-0000	飞轮	Fly wheel	1	
4	FJ100-062023-0000	垫片	Gasket	4	
5	FN200-062022-0000	双联齿轮（一）	Duplicate gear(1)	1	
6	GB/T 290	滚针 HK10/14/10	Needle HK10/14/10	1	
7	Q/HSQ 5789-2003	螺栓 M10×35	Bolt M10×35	1	
8	Q/HSQ 5787-2003	螺栓 M6×28	Bolt M6×28	2	
9	GB/T 5783-2000	螺栓 M5×25	Bolt M5×25	3	
10	GB/T 5783-2000	螺栓 M5×16	Bolt M5×16	2	
11	FJ100-071100-0000	定子组合	Stator assy	1	
12	FN200-062100-0000	起动电机组合	Starting motor assy	1	
13	FJ100-000001-1014	定位销 $\phi 10 \times 14$	Dowel pin $\phi 10 \times 14$	2	
14	FJ100-035001-0000	左前盖	Left cover, engine	1	
15	FF100-035006-0000	视孔盖 B	Engine oil check hole B	1	
16	Q/HSQ 7757-2003	O 型圈 $\phi 13 \times 2.65$	O ring $\phi 13 \times 2.65$	1	

17	Q/HSQ 5787-2003	螺栓 M6×25	Bolt M6×25	1	
18	Q/HSQ 5787-2003	螺栓 M6×40	Bolt M6×40	5	
19	Q/HSQ 5787-2003	螺栓 M6×50	Bolt M6×50	2	
20	Q/HSQ 7757-2003	O 型圈 $\phi 27.4 \times 2.4$	O ring $\phi 27.4 \times 2.4$	1	
21	FF100-035004-0000	字头盖	Head cover	1	

三. 磁电机、起动电机、左曲轴箱盖

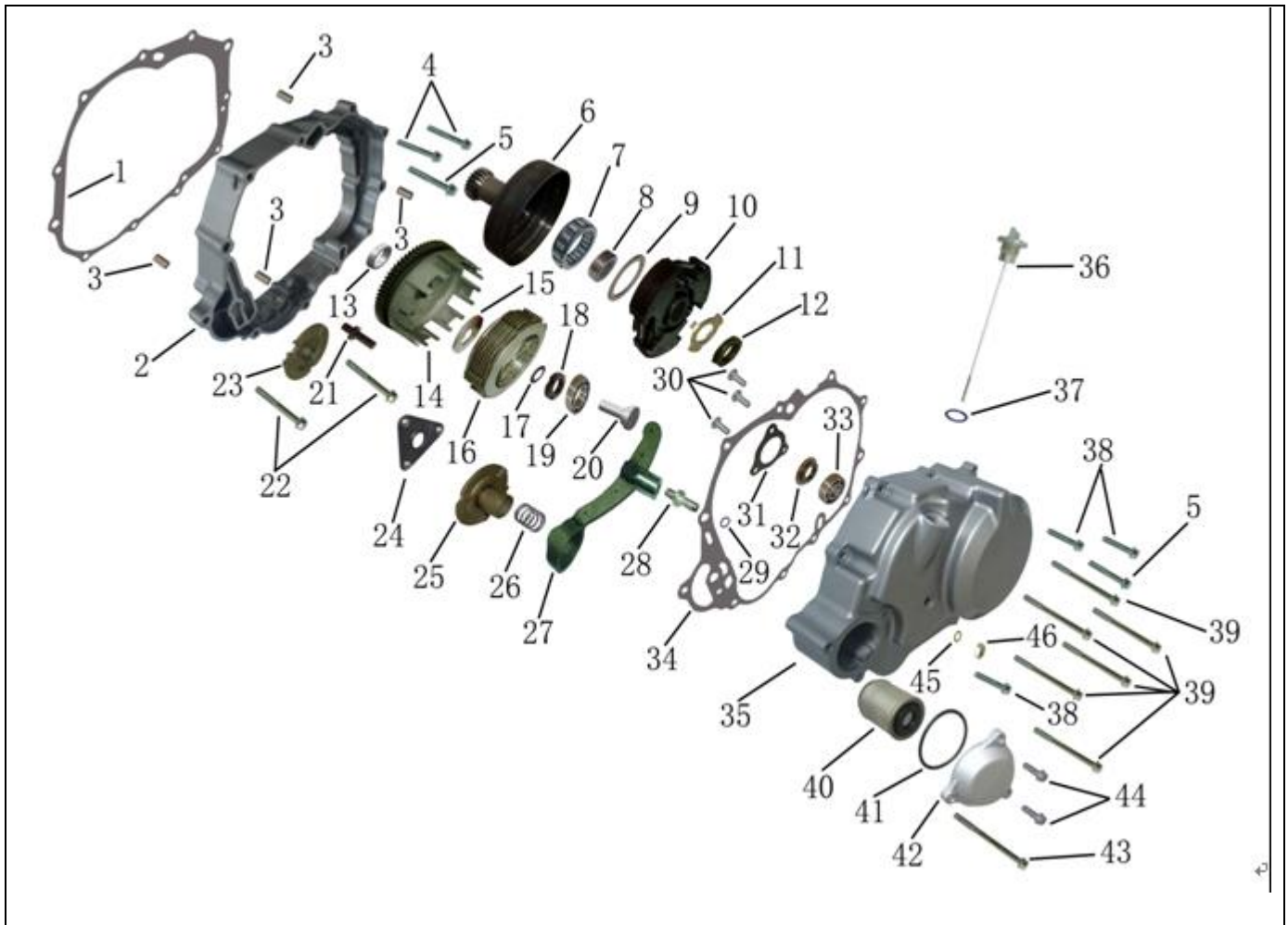
Magneto, Starting motor, Left crankcase cover



序号 RefNO	编号 Part No	零部件名称 Chinese Description	英文名称 English Description	数量 Qty	备注 Remark
22	FJ100-035002-0000	左后盖	Rear left cover	1	
23	Q/HSQ 5787-2003	螺栓 M6×28	Bolt M6×32	2	
24	FJ100-062029-0000	双联齿轮(二)轴组合	Duplicate gear(2)shaft assy	1	
25	FN200-062028-0000	双联齿轮(二)组合	Duplicate gear(2) assy	1	
26	Q/HSQ 7757-2003	O 型圈 $\phi 63 \times 3$	O ring $\phi 63 \times 3$	1	
27	FJ100-035003-0000	齿轮室盖	Gearbox cover	1	
28	Q/HSQ 5787-2003	螺栓 M6×20	Bolt M6×20	3	
29	Q/HSQ 5787-2003	螺栓 M6×12	Bolt M6×12	4	

--	--	--	--	--

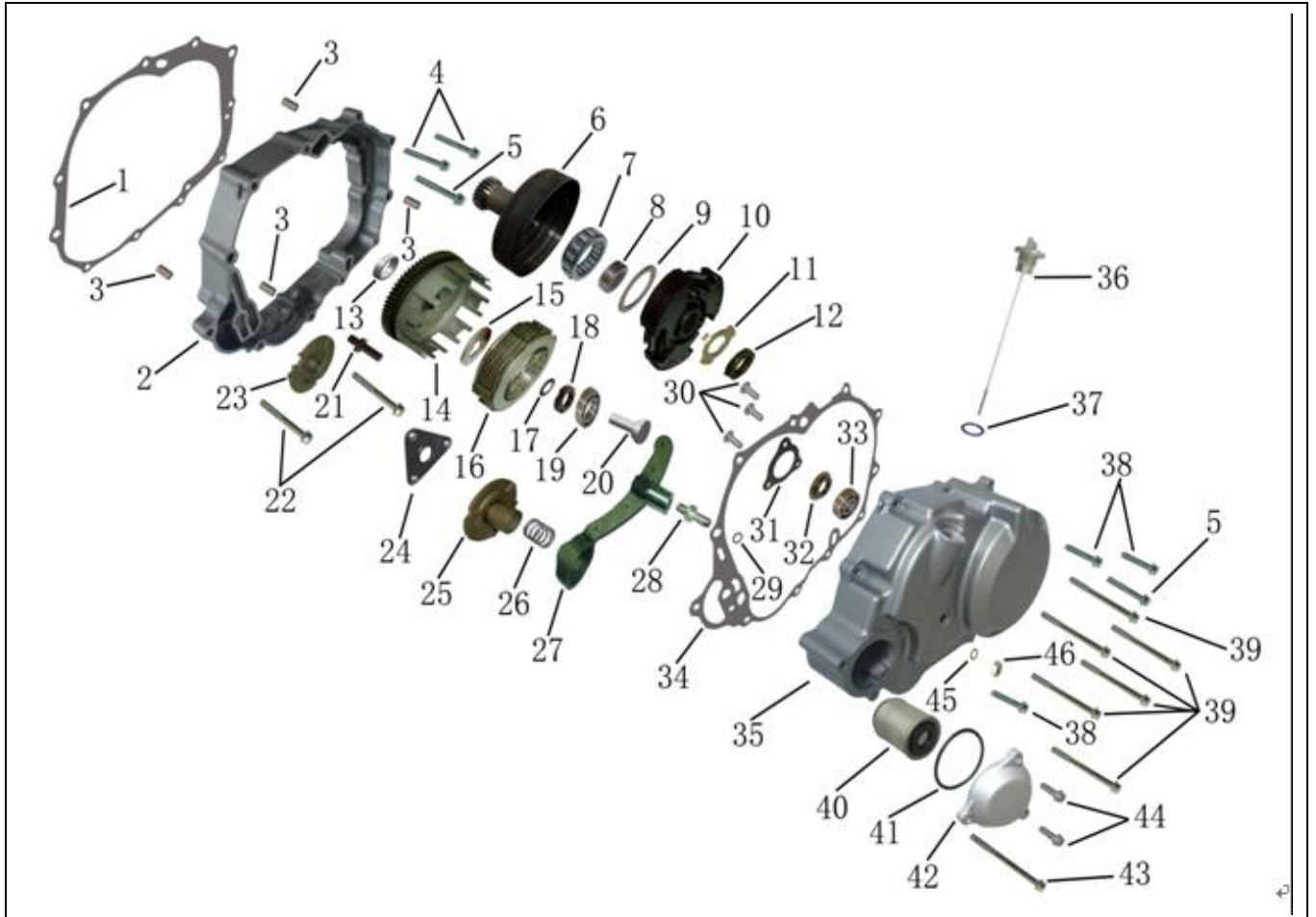
四. 离合器、右曲轴箱盖 Clutch, right crankcase cover



序号 RefNO	编号 Part No	零部件名称 Chinese Description	英文名称 English Description	数量 Qty	备注 Remark
1	FN2F0-031006-0000	副箱体垫	Gasket, vice-crankcase	1	
2	FN2F0-031005-0000	副箱体	Vice-crankcase	1	
3	FF100-000001-0814	定位销 $\phi 8 \times 14$	Dowel pin $\phi 8 \times 14$	4	
4	Q/HSQ5787-2003	螺栓 M6 \times 35	Bolt M6 \times 35	2	
5	Q/HSQ5787-2003	螺栓 M6 \times 45	Bolt M6 \times 45	2	
6	FN2F0-051100-0000	外罩组合	Outside cover Comp.	1	
7	FN2F0-051015-0000	单向轴承	Bearing	1	
8	FN2F0-051014-0000	超越离合器驱动盘	Driving disc, clutch	1	
9	FN2F0-051003-0000	垫圈	Gasket	1	
10	FN2F0-051200-0000	初级主动盘组合	Primary drive plate Comp.	1	
11	FN2F0-051006-0000	止退垫圈	Stop washer	1	
12	FN2F0-051007-0000	锁紧螺母	Locknut	1	
13	FN2F0-052009-0000	隔离套	Spacer sleeve	1	
14	FN2F0-052100-0000	主动盘组合	Driving disc assy	1	
15	FJ100-052007-0000	花键垫圈	Spline washer	1	
16	FM100-052200-0000	从动盘组合	Driven disc assy	1	
17	FJ200-052010-0000	蝶形垫圈	Disc form gasket	1	

18	FJ200-052011-0000	圆螺母	Round nut	1	
19	GB 276	轴承 16003	Bearing 16003	1	
20	FN2F0-052013-0000	分离杆	Separate rod	1	
21	FF100-031001-0000	定位螺栓	Positioning bolt	1	

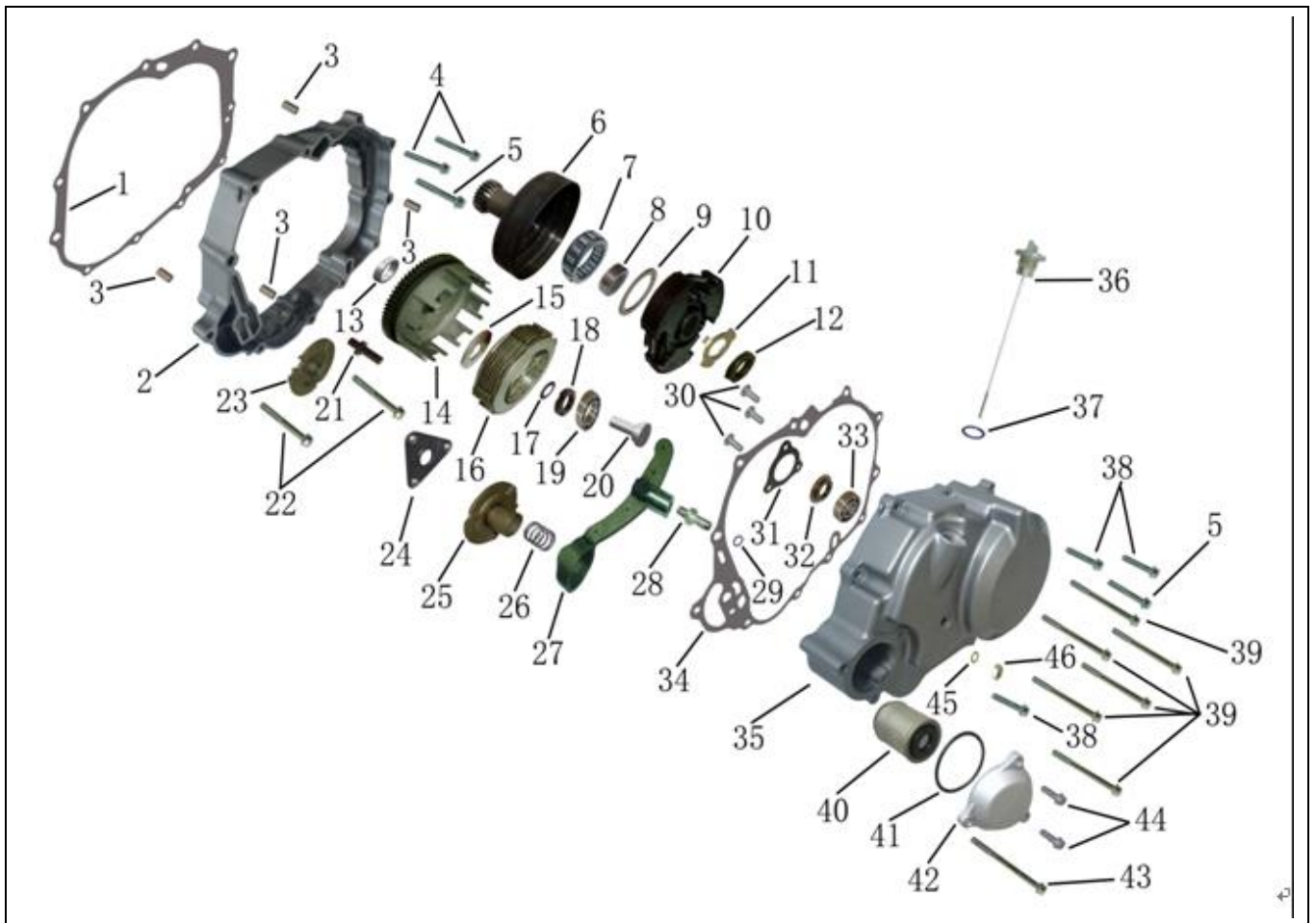
四. 离合器、右曲轴箱盖 Clutch, right crankcase cover



序号 RefNO	编号 Part No	零部件名称 Chinese Description	英文名称 English Description	数量 Qty	备注 Remark
22	Q/HSQ5787-2003	螺栓 M6×45	Bolt M6×45	2	
23	FN2F0-053012-0000	离合器凸轮盘	Cam plate, clutch	1	
24	FN2F0-053010-0000	限位板组合	Limited board Comp.	1	
25	FN2F0-053003-0000	凸轮板	Cam plate	1	
26	FN2F0-053002-0000	压簧	Press spring	1	
27	FN2F0-053006-0000	挺杆	Push rod	1	
28	FN2F0-053001-0000	调节螺栓	Adjust bolt	1	
29	Q/HSQ 7757-2003	O 型圈 7×2	O-ring 7×2	1	
30	GB/T 819.1	螺栓 M6×16	Bolt M6×16	3	
31	FN2F0-034026-0000	轴承压板	Press board, bearing	1	
32	GB/T276	轴承6203	Bearing 6203	1	
33	FN2F0-034027-0000	油封 SCY17 28-38 3.5-5.2	Oil-seal SCY17 28-38 3.5-5.2	1	
34	FN2F0-030047-0000	右曲轴箱盖垫	Gasket, right crankcase cover	1	

35	FN2F0-034100-0000	右曲轴箱盖组合	Right Crankcase cover Assy.	1	
36	FN2F0-034005-0000	机油尺	Dip stick	1	
37	Q/HSQ 7757-2003	O 型圈 $\phi 18 \times 3.5$	O-ring $\phi 18 \times 3.5$	1	
38	Q/HSQ5787-2003	螺栓 M6 \times 32	Bolt M6 \times 32	3	
39	Q/HSQ5787-2003	螺栓 M6 \times 70	Bolt M6 \times 70	6	
40	FN2F0-034028-0000	机油滤芯组合	Oil filter Comp.	1	
41	Q/HSQ 7757-2003	O 型圈 53 \times 3.5	O-ring 53 \times 3.5	1	
42	FN2F0-034025-0000	机油过滤器盖	Engine oil cleaner cover	1	

四. 离合器、右曲轴箱盖 Clutch, right crankcase cover

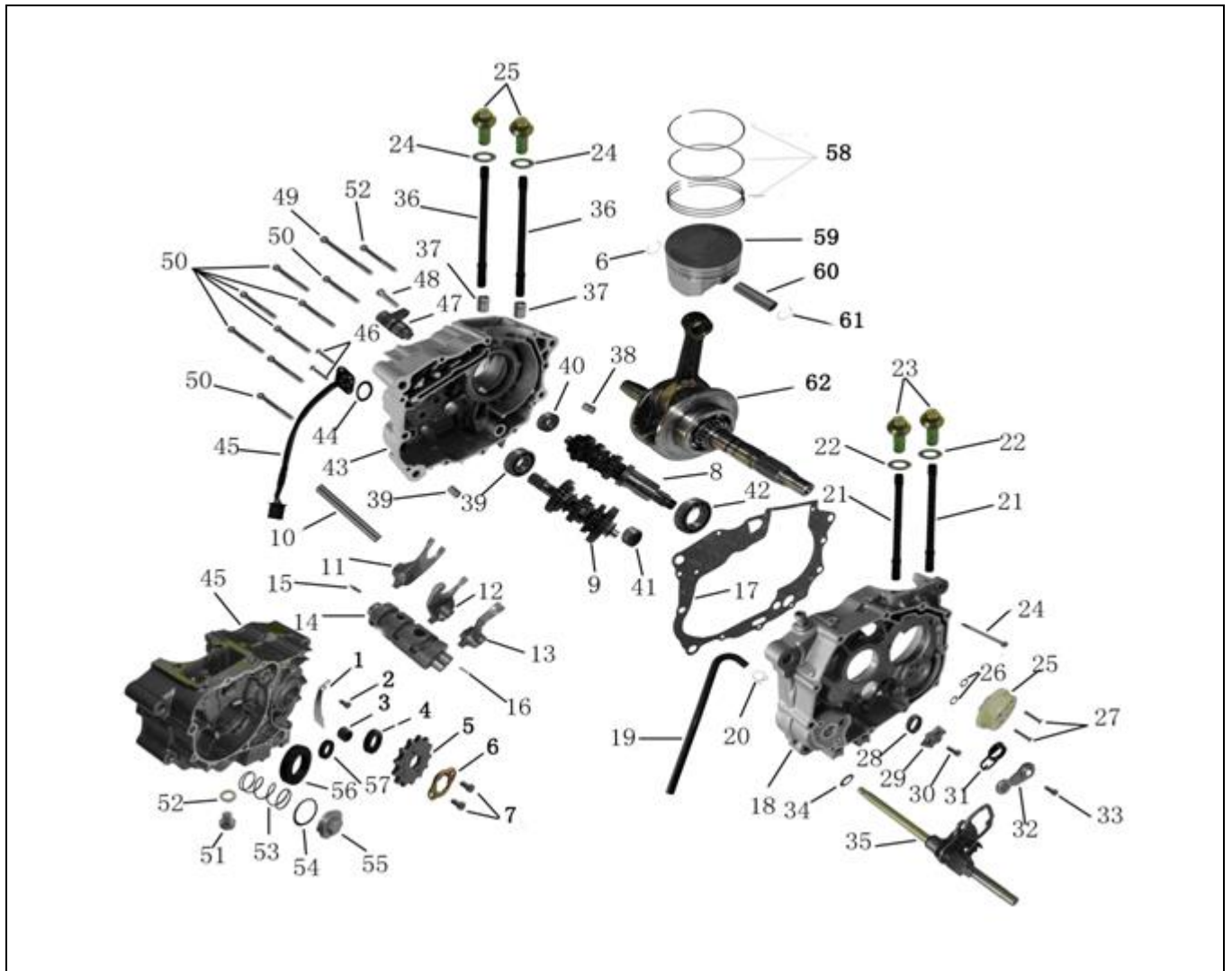


序号 RefNO	编号 Part No	零部件名称 Chinese Description	英文名称 English Description	数量 Qty	备注 Remark
43	Q/HSQ5787-2003	螺栓 M6 \times 75	Bolt M6 \times 75	1	
44	Q/HSQ5787-2003	螺栓 M6 \times 20	Bolt M6 \times 20	2	
45	GB/T848	垫圈 8	Gasket 8	1	
46	GB/T41	螺母 M8	Nut M8	1	

--	--	--	--	--

五. 左右曲轴箱、变速机构、曲轴、活塞

Left&right crankcase, Gearshift system, Crankshaft, Piston

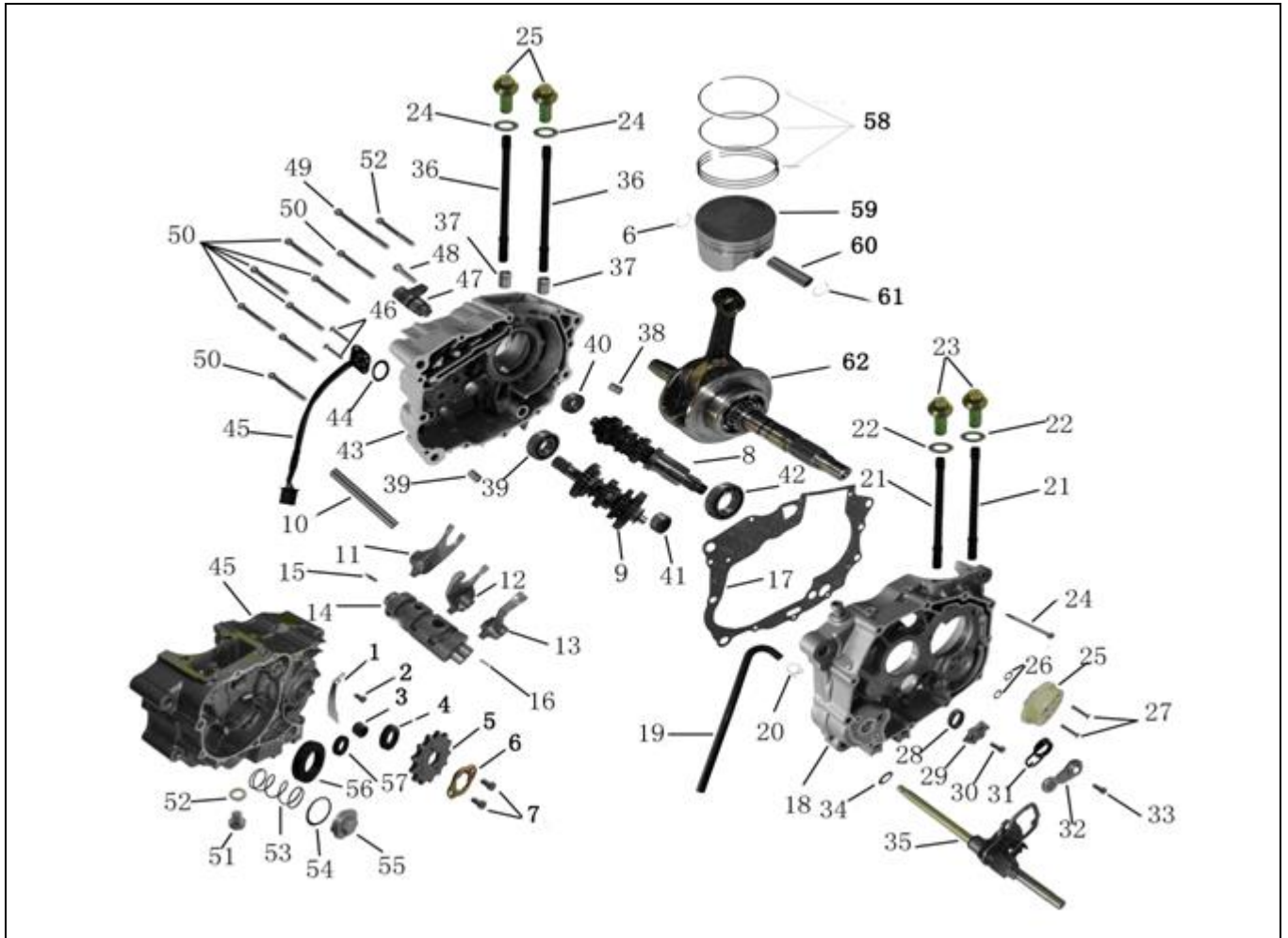


序号 RefNO	编号 Part No	零部件名称 Chinese Description	英文名称 English Description	数量 Qty	备注 Remark
1	FJ200-030027-0000	压线板	Tension disc	1	CB125 状态
2	GB/T 5783-2000	螺栓 M6×12	Bolt M6×12	1	
3	GB/T 290	滚针 HK10/14/10	Roller needle HK10/14/10	1	
4	Q/HSQ 546-2007	副轴油封 20×34×7	Oil seal 20×34×7	1	
5	FJ100-040004-0000	主动链轮	Driving sprocket wheel	1	
6	FJ100-040005-0000	主动链轮压板	Pressing board, driving sprocket wheel	1	
7	GB/T 5783-2000	螺栓 M6×10	Bolt M6×10	2	
8	FN2G0-041000-0000	主轴组合	Main shaft assy	1	
9	FN2G0-042000-0000	副轴组合	Counter shaft assy	1	
10	FJ100-043005-0000	拨叉轴 A	Fork shaft A	1	
11	FJ1G0-043004-0000	拨叉 III	Fork shaft III	1	国际档
12	FJ1G0-043003-0000	拨叉 II	Fork shaft II	1	国际档
13	FN2G0-043002-0001	拨叉 I	Fork shaft I	1	国际档

14	FJ1G0-043001-0001	变速鼓	Gearshift drum	1	国际档
15	FJ100-043012-0000	铜触点组合	Copper touch point assy	1	

五. 左右曲轴箱、变速机构、曲轴、活塞

Left&right crankcase, Gearshift system, Crankshaft, Piston

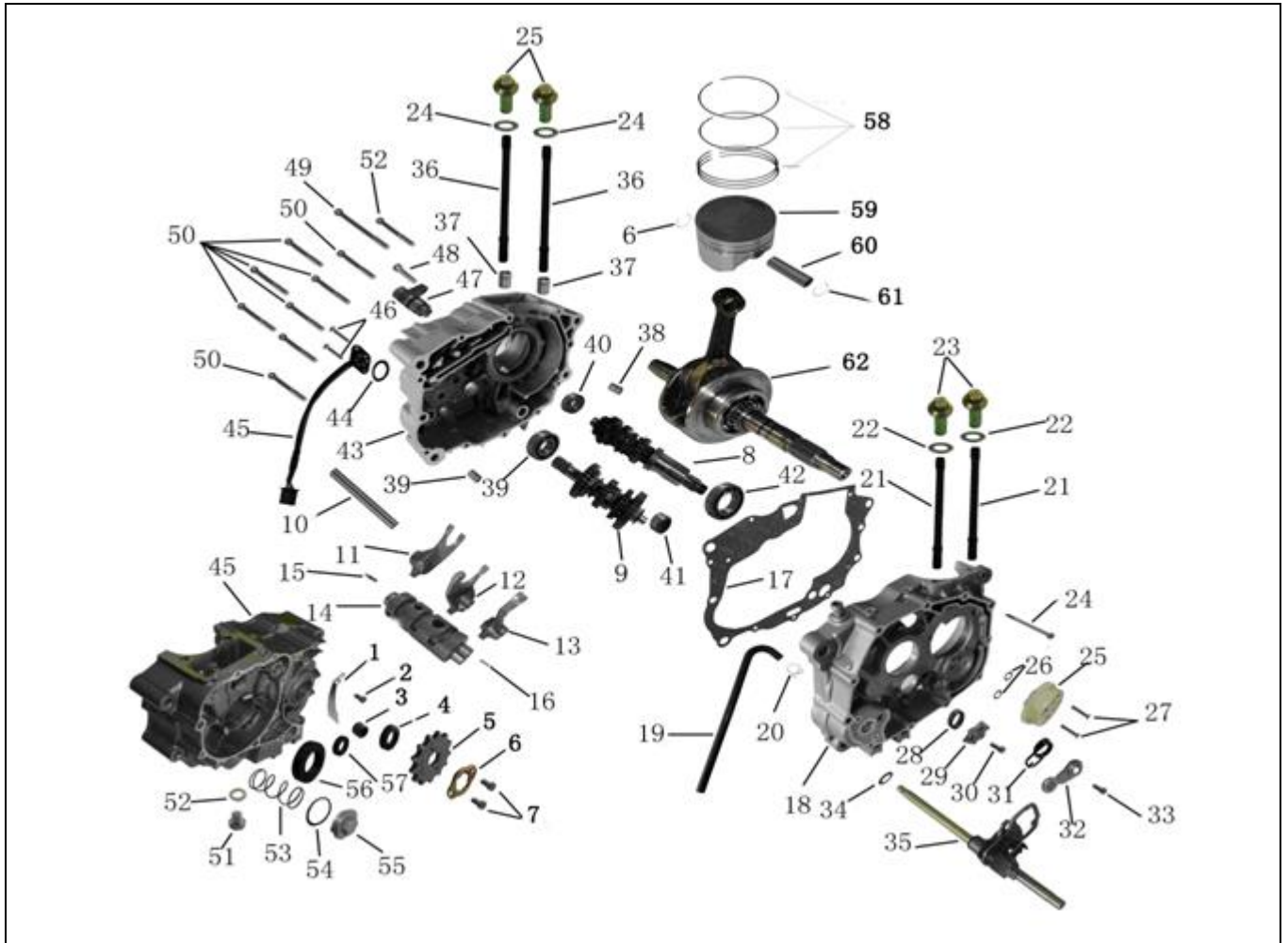


序号 RefNO	编号 Part No	零部件名称 Chinese Description	英文名称 English Description	数量 Qty	备注 Remark
16	FJ100-043008-0000	销轴 A	Pin shaft A	1	
17	FN200-030001-0000	曲轴箱密封垫	Gasket, crankcase	1	
18	FN2F0-031100-0000	右曲轴箱组合	Right crankcase assy	1	
19	FJ100-030015-0000	通气管	Tube	1	
20	FJ100-030016-0000	通气管卡箍	Clamp, tube	1	
21	FM200-030003-0000	气缸螺栓 A M8×138	Cylinder bolt A M8×138	2	
22	FJ100-010029-0000	缸头螺母垫圈	Cylinder head nut washer	4	
23	FJ100-010028-0000	缸头螺母	Cylinder head nut	4	
24	GB/T 29.2-2000	螺栓 M6×55	Cylinder head nut	1	
25	FN2F0-033000-0000	机油泵部件	Engine oil pump assy	1	
26	Q/HSQ 7757-2003	O 型圈 φ9×2.4	O ring φ9×2.4	2	
27	GB/T 819-2000	螺栓 M6×30	Bolt M6×30	2	

28	GB/T 290	滚针 HK21/28/10	Needle HK21/28/10	1	
29	FJ200-043007-0000	五星轮	Five star wheel	1	
30	GB/T 5783-2000	螺栓 M6×25	Bolt M6×25	1	
31	FJ200-040002-0000	定位板弹簧	Position plate spring	1	
32	FJ200-040300-0000	定位板	Position plate	1	

五. 左右曲轴箱、变速机构、曲轴、活塞

Left&right crankcase, Gearshift system, Crankshaft, Piston

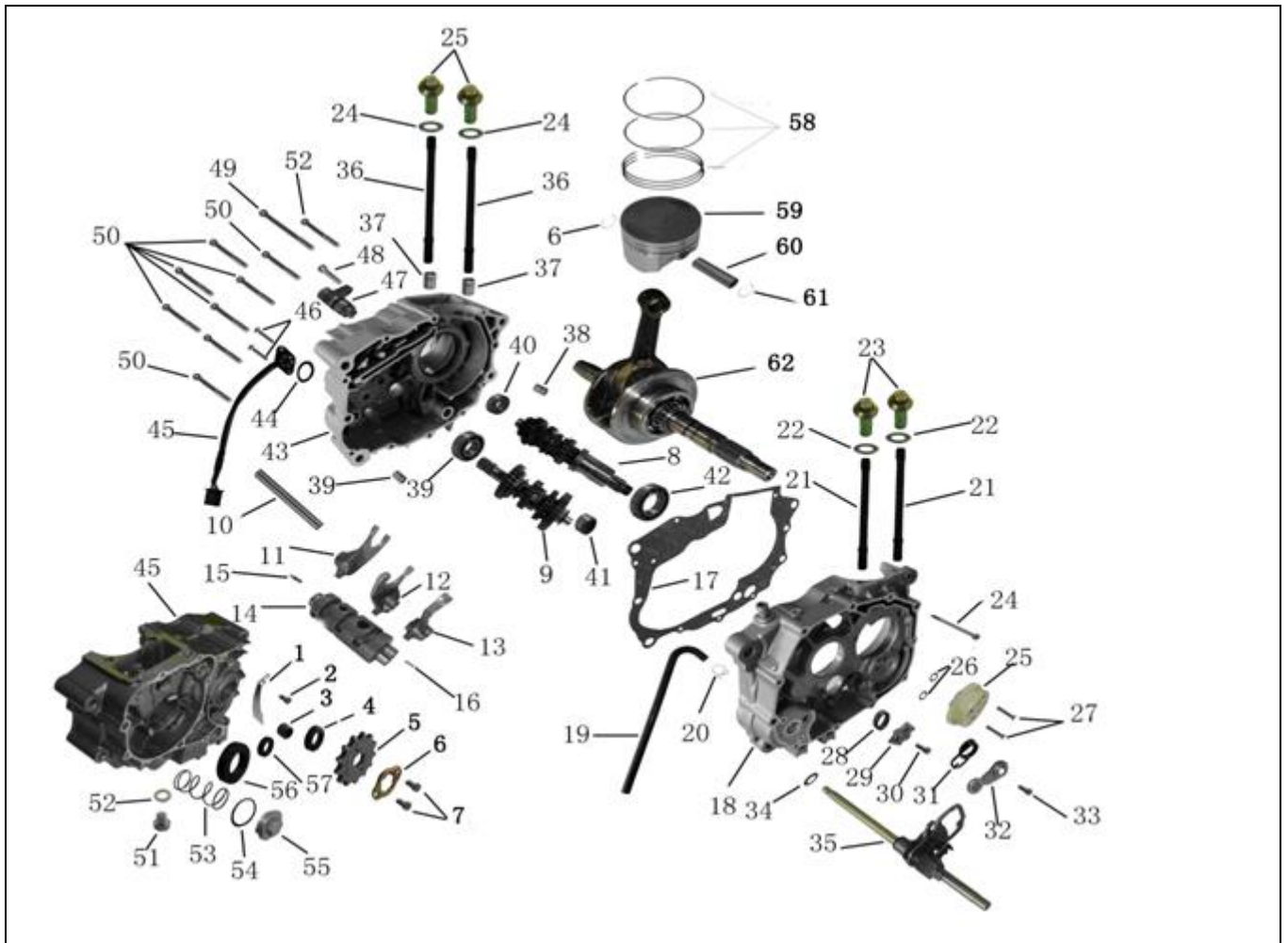


序号 RefNO	编号 Part No	零部件名称 Chinese Description	英文名称 English Description	数量 Qty	备注 Remark
33	GB/T 5783-2000	螺栓 M6×20	Bolt M6×20	1	
34	FJ100-044004-0000	推力垫圈	Gasket	1	
35	FN2G0-044000-0000	变档轴部件 (带轴套 8mm)	Gearshift shaft assy(with 8mm bush)	1	国际档
36	FN200-030004-0000	气缸螺栓 B M8×142	Cylinder bolt B M8×142	2	
37	FJ100-000001-1014	定位销 φ10×14	Dowel pin φ10×14	2	
38	FJ100-000001-1014	定位销 φ10×14	Dowel pin φ10×14	2	
39	GB/T 276-1994	轴承 6204/P6	Bearing 6204/P6	1	
40	GB/T 276-1994	轴承 6202-Z	Bearing 6202-Z	1	
41	GB/T 290	滚针 NK15/23/12	Needle NK15/23/12	1	
42	GB/T 276-1994	轴承 6206/P6	Bearing 6206/P6	1	

43	FN2E0-032002-0000	左曲轴箱部件	Left crankcase assy	1	
44	Q/HSQ 7757-2003	O 型圈 $\phi 19 \times 2.2$	O ring $\phi 19 \times 2.2$	1	
45	FN2G0-032201-0000	档显组合	Gear indicator	1	国际档
46	GB/T 818-2000	螺栓 M4 \times 18	Bolt M4 \times 18	2	
47	FN200-032100-0000	压销体组合	Pin body assy	1	
48	GB/T 5783-2000	螺栓 M6 \times 25	Bolt M6 \times 25	1	
49	Q/HSQ 5787-2003	螺栓 M6 \times 95	Bolt M6 \times 95	1	

五. 左右曲轴箱、变速机构、曲轴、活塞

Left&right crankcase, Gearshift system, Crankshaft, Piston



50	Q/HSQ 5787-2003	螺栓 M6 \times 50	Bolt M6 \times 50	9	
51	FF100-030023-0000	放油螺塞	Oil drain plug	1	
52	FF100-030024-0000	放油螺塞垫圈	Oil drain plug ring	1	
53	FJ100-030019-0000	机油滤网弹簧	Spring, engine oil clean screen	1	
54	Q/HSQ 7757-2003	O 型圈 $\phi 35 \times 3$	O ring $\phi 35 \times 3$	1	
55	FJ100-030043-0000	机油滤网盖	Engine oil clean screen cover	1	
56	Q/HSQ 546-2007	油封 34 \times 50 \times 7	Oil seal 34 \times 50 \times 7	1	

57	Q/HSQ 546-2007	换档轴油封 14×28×7	Gearshift shaft oil seal 14× 28×7	1	
58	FN200-021002-0000	活塞环 (1)	Piston ring (1)	1	
	FN200-021003-0000	活塞环 (2)	Piston ring (2)	1	
	FN200-021010-0000	油环组合	Oilring Comp.	1	
59	FN200-021001-0000	活塞	Piston	1	
60	FN200-020003-0000	活塞销	Piston pin	1	
61	FN200-020001-0000	活塞销挡圈	Locking ring, piston	2	
62	FN2F0-022000-0000	曲轴连杆部件	Connect rod Assy., crankshaft	1	