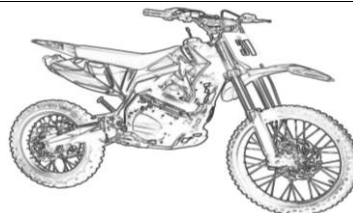




# 浙江艾克仕實業有限公司 XGROUP CORPORATION

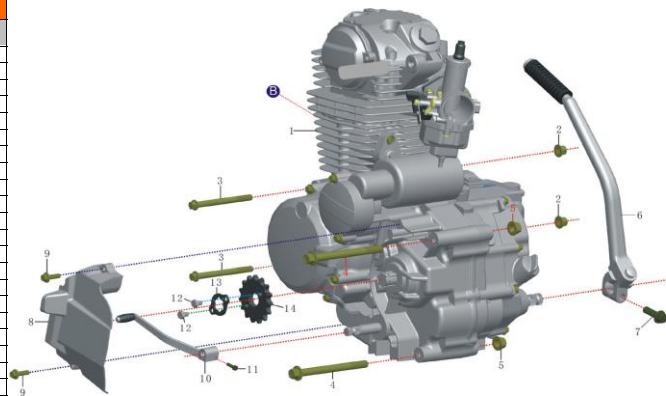
温馨提示:  
如果代码后面加入“N/A”, 例如:“GP505901B01 N/A”  
表示该配件虽然有独立代码, 但不单独销售, ERP实际代码为: “GP505901B01”;  
如果代码栏填写为“N/A.”表示该配件为总成自带, 不单独销售;  
若需购买, 请参考代码栏的“ASSY.1, 2, 3, .....”购买组合件;  
序号前1, 2, 3, ..... 代表的是该总成的识别码, 例如: 1代表的是发动机总成

## XZT250A (XB-31-CB250) Parts Catalog - Ver. 1



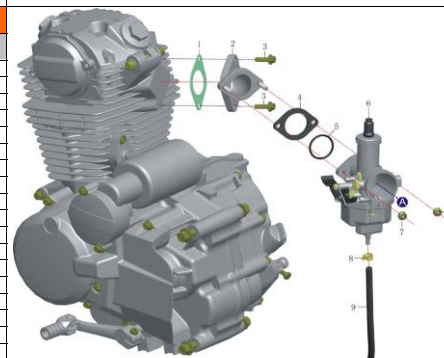
### 发动机总成 ENGINE ASSY. SECTION 1

REF.No.	PART No.	DESCRIPTION	名称	QTY Per 8100	Order Qty	Unit Price	Total
1-1	ZCB250LFG517801	engine CB250CC - A/C - E & K Start	宗申CB250CC电喷启动/风冷/国际5档/428-17T/本田款8级	1	0	\$250.05	\$0.00
1-2	G6187M8G	nut, flanged, locking M8	六角法兰面锁紧螺母M8/军绿	2	0	\$0.08	\$0.00
1-3	G16674M890125GJ	bolt- flanged M8*90*1.25	六角法兰面螺栓M8*90*1.25/军绿10.9级	2	0	\$0.34	\$0.00
1-4	G16674M10110125GJ	bolt- flanged M10*110*1.25	六角法兰面螺栓M10*110*1.25/军绿10.9级	2	0	\$0.40	\$0.00
1-5	G6187M10125G	nut, flanged, locking M10*1.25	六角法兰面锁紧螺母M10*1.25/军绿	2	0	\$0.06	\$0.00
1-6	Y305701D01	lever, kick start	启动杆(发动机自带)	1	0	\$3.86	\$0.00
1-7	N/A	bolt M6*20	六角螺栓M6*20 (发动机自带)	1	0	\$0.08	\$0.00
1-8	Y31660003S01	cover, chain	链盖(发动机自带)	1	0	\$3.60	\$0.00
1-9	N/A	bolt- flanged M6*20	六角法兰面螺栓M6*20(发动机自带)	2	0	\$0.08	\$0.00
1-10	Y305402D01	lever, shift	换挡杆(铁/镀铬/BT-0C/不折量/30/31)	1	0	\$2.36	\$0.00
1-11	G701M620G	bolt M6*20	内六角圆柱头螺钉M6*20/军绿	1	0	\$0.08	\$0.00
1-12	B057830060010708	bolt M6*8	六角螺栓M6*8 (发动机自带)	2	0	\$0.05	\$0.00
1-13	23402-1006-0000	locking washer, sprocket	主动链轮垫片 (发动机自带)	1	0	\$0.32	\$0.00
1-14	Y315401	sprocket, engine 428-17T	前链轮/428-17T (发动机自带)	1	0	\$1.89	\$0.00
零件总计金额 USD:							\$0.00



### 化油器总成 CARBURETOR ASSY. SECTION 2

REF.No.	PART No.	DESCRIPTION	名称	QTY Per 8100	Order Qty	Unit Price	Total
2-1	N/A	gasket, intake manifold	进气口纸垫 (发动机自带)	1	0	\$0.14	\$0.00
2-2	Y30630001A0	intake manifold	进气管 (发动机自带)	1	0	\$2.08	\$0.00
2-3	N/A	bolt- flanged M6*25	六角法兰面螺栓M6*25(发动机自带)	2	0	\$0.08	\$0.00
2-4	N/A	spacer, (composite plastic)	胶木垫 (发动机自带)	1	0	\$0.56	\$0.00
2-5	N/A	O-ring, carburetor, (rubber)	橡胶垫圈(化油器自带)	1	0	\$0.12	\$0.00
2-6	Y315801	carburetor KF PZ30	化油器 (坤孚/PZ30主100#型36#)	1	0	\$12.00	\$0.00
2-6		carburetor Mikuni PZ30		1	0	\$20.00	\$0.00
2-6		carburetor, KF PZ30 (EPA - 36/100 - Locked)		1	0	\$11.50	\$0.00
2-7	G889M6G	nut, locking M6	非金属嵌件六角锁紧螺母M6/军绿	2	0	\$0.04	\$0.00
2-8	N/A	clamp, hose	钢丝卡箍/ Φ6/蓝白 (总成自带)	1	0	\$0.05	\$0.00
2-9	N/A	hose, overflow	溢流/橡胶黑色 (总成自带)	1	0	\$0.20	\$0.00
ASSY.1	Y3586301	(1) (4) (5)	胶木垫组件	1	0	\$0.82	\$0.00



<b>零部件总计金额 USD:</b>									<b>\$0.00</b>

**EMISSION AIR CIRC. VALVE ASSY. / OIL - AIR SEPERATOR SECTION 3**

REF.No.	PART No.	DESCRIPTION	名称	QTY Per Bkts.	Order Qty	Unit Price	Total
3-1		actuator valve assy.	二次补气阀/缸头补气XB-31含附件	1	0	\$6.10	\$0.00
3-2		2 Valve (Unavailable)	2次补气阀(总成自带)	1			
3-3		pipe for air filter (Unavailable)	2次补气7形管(总成自带)	1			N/A
3-4		filter (Unavailable)	二次补气过滤器(总成自带)	1			
3-5		washer	废气循环铁管垫圈	1	0	\$0.30	\$0.00
3-6		hose, intake 1 (Unavailable)	橡胶软管 1(总成自带)	1			
3-7		hose, intake 2 (Unavailable)	橡胶软管 2(总成自带)	1			
3-8		hose, intake 3 (Unavailable)	橡胶软管 3(总成自带)	1			N/A
3-9		hose, intake 4 (Unavailable)	橡胶软管 4(总成自带)	1			
3-10		clamp, hose Ø11 (Unavailable)	黄片卡扣/Ø11/彩锌(总成自带)	11			
3-11		clamp, hose Ø6 (Unavailable)	黄片卡扣/Ø6 (总成自带)	2			
3-12		bolt, flanged M6*20	六角法兰螺栓M6*20	2	0	\$0.08	\$0.00
3-13		nut, locking M6	非金属嵌件六角锁紧螺母M6	2	0	\$0.04	\$0.00
3-14		air/oil seperator assy.	油气分离器总成(总成自带)	1	0	\$2.00	\$0.00
3-15		air/oil seperator (Unavailable)	油气分离器(总成自带)	1			
3-16		hose, (Unavailable) 1	橡胶废气管1(总成自带)	2			N/A
3-17		hose, (Unavailable) 2	橡胶废气管2(总成自带)	1			
3-18		cap, air/oil seperator (Unavailable)	油气分离器堵头(总成自带)	1			

<b>零部件总计金额 USD:</b>									<b>\$0.00</b>
---------------------	--	--	--	--	--	--	--	--	---------------

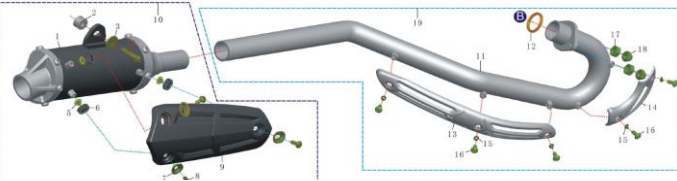
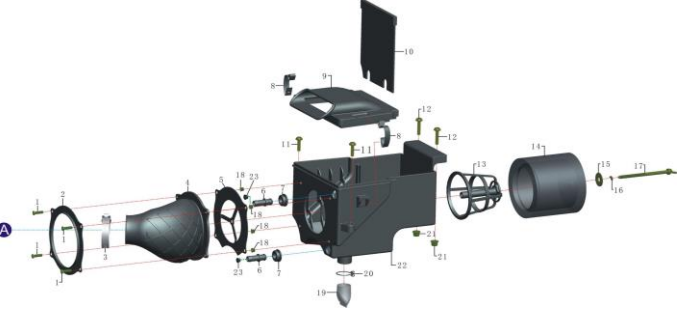
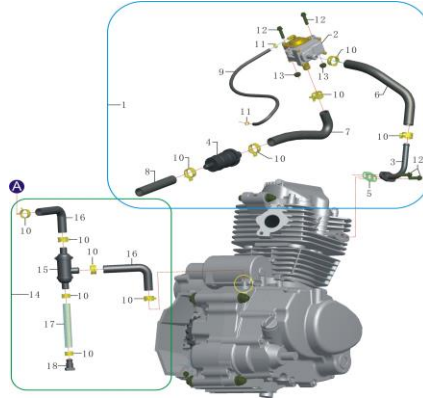
**空滤器总成 AIR FILTER ASSY. SECTION 4**

REF.No.	PART No.	DESCRIPTION	名称	QTY Per Bkts.	Order Qty	Unit Price	Total
4-1	G818M416G	bolt M4*16	十字槽盘头螺钉M4*16/蓝绿	4	0	\$0.04	\$0.00
4-2	Y313613B02B	plate, duct fitting	空滤器外固定片/31/铁/喷塑亚黑	1	0	\$0.76	\$0.00
4-3	Y37590101W02	clamp, duct	抱箍/35-51/蓝白	1	0	\$0.42	\$0.00
4-4	Y31590110B01	duct, funnel	空滤器连接管/31/丁腈橡胶/黑色	2	0	\$3.09	\$0.00
4-5	Y313613a02B	dampner, duct	空滤器内固定片/31/铁/喷塑亚黑	1	0	\$0.96	\$0.00
4-6	Y31590117B01	air intake pipes	空滤器塑料接头	2	0	\$0.48	\$0.00
4-7	Y31340033B01	grommet, air intake pipe	空滤器接头胶圈	2	0	\$0.10	\$0.00
4-8	Y313619B01	clip, cover 65Mn	空滤器卡扣	2	0	\$0.15	\$0.00
4-9	Y31590115B01	cover, air filter	空滤器盖板/31/PP/黑色	1	0	\$1.42	\$0.00
4-10	Y31590118B01	baffle	空滤器隔板/31/PP/黑色	1	0	\$0.69	\$0.00
4-11	G702M620G	bolt M6*20	内六角平圆头螺栓M6*20/蓝绿	2	0	\$0.08	\$0.00
4-12	G702M630G	bolt M6*30	内六角平圆头螺栓M6*30/蓝绿	2	0	\$0.08	\$0.00
4-13	Y31590111B01	holder, filter element	空滤器滤芯支架/31/网状/PP/黑色	1	0	\$0.83	\$0.00
4-14	Y31590108B01	element, air filter	空滤器滤棉/31/隔棉/黑色	1	0	\$2.07	\$0.00
4-15	G5287F6G	flat washer Ø6	特大垫圈6/蓝绿	1	0	\$0.04	\$0.00
4-16	G93F6G	lock washer Ø6	锁垫 Ø6/蓝绿	1	0	\$0.03	\$0.00
4-17	Y31370015G02	bolt M6*90	蝶形螺栓/Ø6*90/蓝绿	1	0	\$0.35	\$0.00
4-18	G889M4G	nut,locking M4	非金属嵌件六角锁紧螺母M4/蓝绿	4	0	\$0.04	\$0.00
4-19	Y31590120	drain, air filter	空滤器堵头/31/PVC/Ø19透明	1	0	\$0.18	\$0.00
4-20	Y313617L	clamp, drain pipe Ø20	钢丝卡箍/Ø20/黑	1	0	\$0.12	\$0.00
4-21	G889M6G	nut,locking M6	非金属嵌件六角锁紧螺母M6/蓝绿	2	0	\$0.04	\$0.00
4-22	Y318102B01	box, air filter	电池盒/31/PP/黑色	1	0	\$4.06	\$0.00
4-23	Y31340032B01	cap,air intake pipes	空滤器塑料接头胶帽	2	0	\$0.05	\$0.00
	Y31590123	anti heat foil, air filter box, bottom	空滤器防烫贴纸	3	0	\$1.37	\$0.00

<b>零部件总计金额 USD:</b>									<b>\$0.00</b>
---------------------	--	--	--	--	--	--	--	--	---------------

**消音器总成 EXHAUST ASSY. SECTION 5**

REF.No.	PART No.	DESCRIPTION	名称	QTY Per Bkts.	Order Qty	Unit Price	Total
<b>ASSY.1</b>		exhaust assembly, EPA (10), (19)		1	0	\$36.15	\$0.00
<b>ASSY.2</b>		exhaust assembly, standard (10), (19)		1	0	\$19.36	\$0.00
5-1	Y316203B01	muffler, EPA	消声器/31/灰箱抗/铝/黑色B&R含附件	1			N/A
5-1		muffler, standard		1			N/A
<b>ASSY.3</b>	Y316203B01	muffler, ASSY. Standard (10)		1	0	\$10.46	\$0.00
5-11		pipe, exhaust EPA		1	0	\$25.69	\$0.00
5-11		pipe, exhaust, standard		1			N/A
<b>ASSY.4</b>	Y316201	pipe, exhaust, ASSY. (19)		1	0	\$8.90	\$0.00
5-2	Y37360020W02	spacer Ø8*Ø20*12	排气管隔套/Ø8*Ø20*12/铁/蓝白	1	0	\$0.10	\$0.00
5-3	G96F8G	flat washer Ø8	大垫圈 Ø8/蓝绿	1	0	\$0.04	\$0.00
5-4	G16674M835125G	bolt-flanged M8*35*1.25	六角法兰螺栓M8*35*1.25/蓝绿	1	0	\$0.18	\$0.00
5-5	Y338360003G02	spacer Ø7*Ø10.3*Ø20*7	轴芯衬套/Ø7*Ø10.3*Ø20*7 (台阶)/消声器装饰罩通用/车	3	0	\$0.08	\$0.00
5-6	Y31340007B01	grommet, round	腰形胶圈/耐高温橡胶黑色	3	0	\$0.10	\$0.00



5-7	Y37370007G02	washer, oval FB Φ6	凹形垫圈/FB Φ6/军绿	3	0	\$0.05	\$0.00
5-8	G702M616G	bolt M6*16	内六角平圆头螺钉M6*16/军绿	3	0	\$0.06	\$0.00
5-9	Y31620003B01	shield, heat, muffler	消声器隔热罩/31/PP黑色通用	1	0	\$2.94	\$0.00
5-12	Y37620004	seal, exhaust	排气垫/高C8机/无石棉 (总成自带)	1	0	\$0.25	\$0.00
5-13	N/A	shield, heat, pipe rear	排气管后防烫罩 (排气管自带)	1	0	\$1.08	\$0.00
5-14	N/A	shield, heat, pipe front	排气管前防烫罩 (排气管自带)	1	0	\$0.60	\$0.00
5-15	N/A	lock washer Φ6	弹垫 Φ6/军绿 (排气管自带)	5	0	\$0.03	\$0.00
5-16	N/A	bolt M6*12	内六角平圆头螺钉M6*12/军绿(排气管自带)	5	0	\$0.06	\$0.00
5-17	G6170M8G	nut M8	六角螺母M8/军绿	2	0	\$0.04	\$0.00
5-18	G802M8125G	nut, cap M8	盖形螺母M8/军绿	2	0	\$0.09	\$0.00

零部件总计金额 USD: **\$0.00**

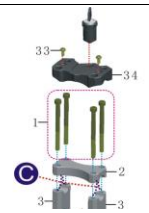
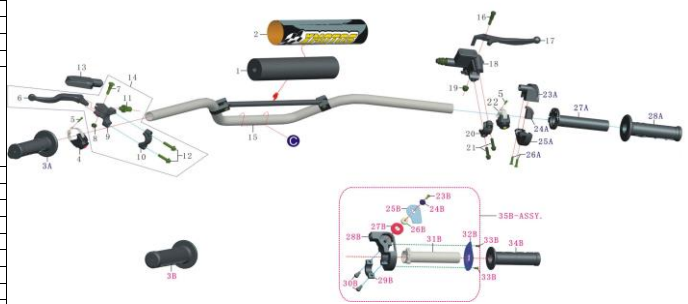
**方向把总成 HANDLEBAR ASSY. SECTION 6**

REF.No.	PART No.	DESCRIPTION	名称	QTY Per Bicyc	Order Qty	Unit Price	Total
6-1	Y31110007B01	foam padding, crossbar	方向把护套/45*230/海绵/原色	1	0	\$0.40	\$0.00
6-2	Y3011000802	cover, foam padding, gray	方向把装饰布/3系列/80款/01号XMOTOS/160*230灰色	1	0	\$0.98	\$0.00
6-3	Y3011000801	cover, foam padding, red	方向把装饰布/3系列/80款/01号XMOTOS/160*230红色	1	0	\$0.98	\$0.00
6-3A	Y31110010B01	grip, rubber, LH	左手把胶/丁腈橡胶/黑色/XMOTOS	1	0	\$0.94	\$0.00
6-3B	Y37110010GR02	grip, silicone, LH	左手把胶/硅橡胶/黑色/37款	1	0	\$1.03	\$0.00
6-4	Y377904a	stop switch	熄火开关/触点式/普通插件	1	0	\$1.02	\$0.00
6-5	G818M416G	bolt M4*16	内六角平圆头螺钉M4*16/军绿	2	0	\$0.04	\$0.00
6-6	Y32110201B01	lever, clutch	离合手柄 (总成自带)	1	0	\$1.84	\$0.00
6-7	N/A	bolt, housing, clutch lever	离合手柄固定特制螺栓 (总成自带)	1			
6-8	N/A	nut, locking M6	非金属零件六角锁紧螺母M6/军绿(总成自带)	1			
6-9	N/A	housing, clutch lever	离合手柄卡套 (总成自带)	1			
6-10	N/A	bracket, lever housing	离合手柄固定压块 (总成自带)	1			
6-11	N/A	clutch lever adjuster	离合手柄张紧调节螺母 (总成自带)	1			
6-12	N/A	bolt-flanged M6*20	六角法兰盖螺栓M6*20/军绿 (总成自带)	2			
6-13	Y37340008B01	cover, adjuster, clutch cable	离合护套套	1	0	\$0.37	\$0.00
6-14	Y3111020B1	lever, clutch assy.	离合手柄总成/铝压铸/黑色/普通不折角/32/30/33	1	0	\$3.74	\$0.00
6-15	Y311101S02	handle bar, steel, grey	方向把组合总成/31款/820底把/亚黑色/金工组装	1	0	\$3.41	\$0.00
6-15	Y311101B02	handle bar, steel, black	方向把组合总成/31款/820底把/亚黑色/金工组装	1	0	\$3.41	\$0.00
6-16	N/A	bolt, brake lever	刹车手柄固定特制螺栓 (总成自带)	1			
6-17	Y31170101bB01	lever, brake	刹车手柄/铝压铸/普通不折角 (总成自带)	1	0	\$1.32	\$0.00
6-18	Y31170103bB01	master cylinder, front, top	前碟刹上泵 (总成自带)	1			
6-19	N/A	nut, locking M6	非金属零件六角锁紧螺母M6/军绿 (总成自带)	1	0	\$0.04	\$0.00
6-20	N/A	bracket, master cylinder, mirror, RH	刹车手柄固定压块 (总成自带)	1	0	\$0.58	\$0.00
6-21	N/A	bolt-flanged M6*20	六角法兰盖螺栓M6*20/军绿 (总成自带)	2	0	\$0.08	\$0.00
6-22	Y377903a	start switch	启动开关/触点式/普通插件	1	0	\$1.02	\$0.00
6-23A	Y31110101B01 N/A	housing, throttle, top	油门旋把上座/铝压铸/黑色/X专用	1	0	\$0.54	\$0.00
6-24A	Y31110103B01 N/A	guide, throttle cable	油门导线轮/PP/黑色/扇形X专用	1	0	\$0.15	\$0.00
6-25A	Y31110102B01 N/A	housing, throttle, bottom	油门旋把下座/铝压铸/黑色/X专用	1	0	\$0.60	\$0.00
6-26A	G818M516G	bolt M5*16	十字槽盘头螺钉M5*16/军绿	2	0	\$0.04	\$0.00
6-27A	Y31110012B01	insert, throttle handle	油门旋把芯/PP/黑色通用XMOTOS	1	0	\$0.22	\$0.00
6-28A	Y31110011B01	grip, rubber, RH	右手把胶/丁腈橡胶/黑色/XMOTOS	1	0	\$0.94	\$0.00
ASSY.3	GP501101B01	(23A)(24A)(25A)(26A)	油门旋把总成	1	0	\$1.37	\$0.00
6-23B	N/A	GB/T 819 bolt M4*16	十字槽沉头螺钉M4*16 (总成自带)	1			
6-24B	N/A	spacer	限位隔套 (总成自带)	1			
6-25B	N/A	cover, waterproof 1	防水盖 1 (总成自带)	1			
6-26B	N/A	front rim bearing R42	深沟球轴承 R42 (总成自带)	1			
6-27B	N/A	guide, throttle cable	油门导线轮 (总成自带)	1			
6-28B	N/A	housing, throttle, top	油门旋把上座 (总成自带)	1			
6-29B	N/A	housing, throttle, bottom	油门旋把下座 (总成自带)	1			
6-30B	N/A	GB/T70.1 bolt M6*20	内六角圆头螺钉M6*20 (总成自带)	2			
6-31B	N/A	insert, throttle handle	油门旋把芯 (总成自带)	1			
6-32B	Y37110105B02B N/A	cover, waterproof 2	防水盖 2 (总成自带)	1			
6-33B	N/A	GB/T 819 M4*8	十字槽沉头螺钉M4*8 (总成自带)	2			
6-34B	Y37110011GR02	grip, silicone, RH	右手把胶/硅橡胶/黑色/37款	1	0	\$1.03	\$0.00
6-35B	Y371101B01	housing, throttle, assy.	油门旋把总成/铝压铸	1	0	\$4.71	\$0.00

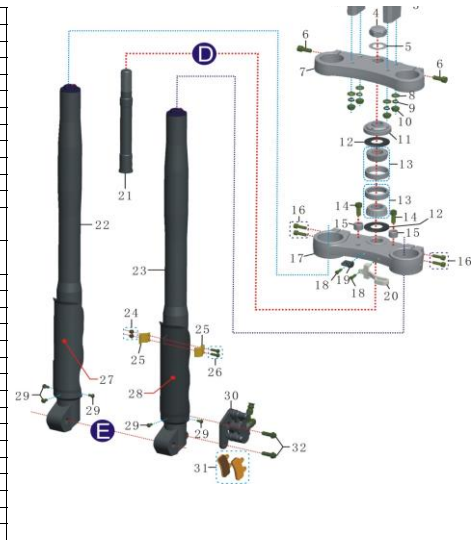
零部件总计金额 USD: **\$0.00**

**前叉总成 FORK ASSY., FRONT. SECTION 7**

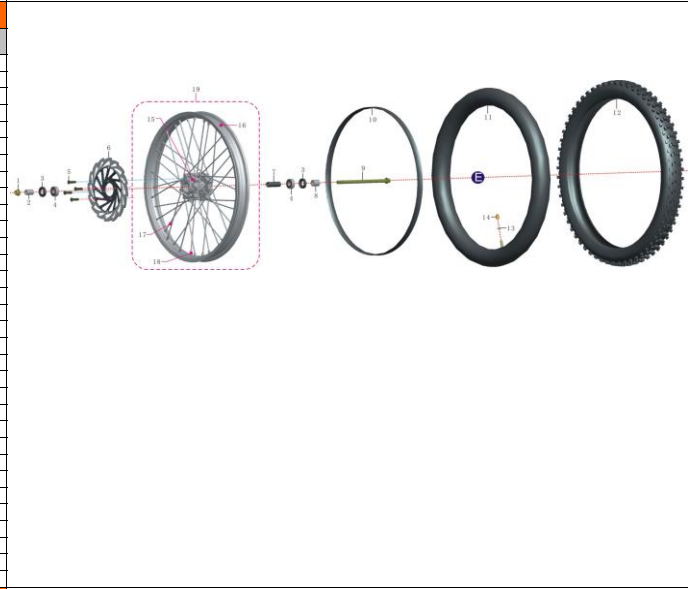
REF.No.	PART No.	DESCRIPTION	名称	QTY Per Bicyc	Order Qty	Unit Price	Total
7-1	G701M8105125GJ	bolt M8*105*1.25	内六角圆头螺钉M8*105*1.25/军绿	4	0	\$0.36	\$0.00
7-2	Y31130002aS01J	riser, handle bar, top Φ22	方向把上压块/铝锻打/壳体/Φ22/抛光银色/普通碟形	1	0	\$2.22	\$0.00
7-3	Y31130001S01J	riser, handle bar, bottom Φ22	方向把下压块/铝锻打/壳体/Φ22/抛光银色/普通/高	2	0	\$1.27	\$0.00
7-4	Y31370009D01	nut, cap, steering stem M22	盖形螺母/FB M22*1/镀锌	1	0	\$0.89	\$0.00
7-5	Y31370002W02	flat washer Φ22.5*Φ36*0.6	平垫圈/FBΦ22.5*Φ36*0.6/蓝白	1	0	\$0.16	\$0.00
7-6	N/A	bolt M8*20*1.25	内六角圆头螺钉M8*20*1.25/蓝白(总成自带)	2	0	\$0.12	\$0.00
7-7	Y31130003aS01J	triple clamp, top	上鞍板/铝锻打/170/Φ48/抛光银色/普通/带OFF ROAD USE	1	0	\$7.12	\$0.00
7-8	G97F8G	flat washer Φ8	平垫圈Φ8/军绿	4	0	\$0.04	\$0.00
7-9	G93F8G	lock washer Φ8	弹垫Φ8/军绿	4	0	\$0.03	\$0.00



7-10	G889M8G	nut, locking M8	非金属嵌件六角嵌锁螺母M8/军绿	4	0	\$0.04	\$0.00
7-11	Y31370016W02	locking nut M25*1	方向柱调节螺母/FB M25*1/蛋白	1	0	\$1.57	\$0.00
7-12	Y31370001	seal, dust, steering stem	方向柱防尘圈/FB Φ25*Φ45黑色	2	0	\$1.43	\$0.00
7-13	G297Y32005X	bearing 32005X	圆锥滚子轴承G8/T297/32005X	2	0	\$3.06	\$0.00
7-14	G701M816125G	bol M8*16*1.25	内六角圆头螺栓M8*16*1.25/军绿	2	0	\$0.12	\$0.00
7-15	Y3383615W02	stopper, steering Φ8.5*Φ13*12.5	方向限位挡圈 Φ8.5*Φ13*12.5/45#/蛋白/33B	2	0	\$0.22	\$0.00
7-16	N/A	bol M6*20	内六角圆头螺栓M6*20/蛋白(总成自带)	4	0	\$0.08	\$0.00
7-17	Y31130005C501J	triple clamp, bottom	下摆板/铝螺钉/170/Φ48抛光银色/绿色/带龙头锁片	1	0	\$7.32	\$0.00
7-18	G818M512G	bol M5*12	十字槽盘头螺钉G8/T818/M5*12/军绿	2	0	\$0.05	\$0.00
7-19	Y31360028W02	bracket, number plate.bottom	号码牌支架/通用/铁/蛋白	1	0	\$0.61	\$0.00
7-20	Y31210019W01	bracket, brake hose, (plastic)	前碟刹油管上支/通用/尼龙白色	1	0	\$0.50	\$0.00
7-21	Y30130007L	steering stem Φ25*M22*231mm	方向柱/Φ25*M22*231mm/30/31/33/45#发黑	1	0	\$3.70	\$0.00
7-22		adjustable inverted fork, RH (T8-Z)		1	0	\$94.71	\$0.00
7-23		adjustable inverted fork, LH (T8-Z)		1	0		
7-22	Y31A1401J02	non-adjustable inverted fork, RH (T6-S)	前减震器/倒置不可调/48-48*800/钛金/合成碳筒15轴速摩托	1	0	\$48.66	\$0.00
7-23		non-adjustable inverted fork, LH (T6-S)		1	0		
7-24	G889M6G	nut, locking M6	非金属嵌件六角嵌锁螺母M6/军绿	2	0	\$0.04	\$0.00
7-25	Y31360005S01	bracket, brake hose	前碟刹油管下支/铝/氧化银色加长	2	0	\$0.56	\$0.00
7-26	G702M616G	bol M6*16	内六角平圆头螺栓M6*16/军绿	2	0	\$0.06	\$0.00
7-27	Y31210003B01	guard, fork, RH (protector)	前减右防尘罩/PP黑色加长/配普通倒置前减	1	0	\$1.31	\$0.00
7-28	Y31210002B01	guard, fork, LH (protector)	前减左防尘罩/PP黑色加长/配普通倒置前减	1	0	\$1.31	\$0.00
7-29	Y37370006G02	bol Φ10*4*M6*8	内六角盘头台阶螺栓/FB Φ10*4*M6*8/ 37款前减防尘罩 (街	5	0	\$0.16	\$0.00
7-30	SEE SECTION 13	caliper, brake, front,	前碟刹器下架黑色(总成自带)	1	0	N/A	
7-31	Y31170102	brake pads, front, standard	摩擦片/普通(配双联)	1	0	\$1.86	\$0.00
7-32	Y31170102a	brake pads, front, asbestos free, (Australia)	摩擦片/耐基(配双联)	1	0	\$3.77	\$0.00
7-33	G16674M825125G	bol M8*25*1.25	六角法兰圆头螺栓M8*25*1.25/军绿	2	0	\$0.12	\$0.00
7-34	G702M612G	bol M6*12	内六角平圆头螺栓M6*12/军绿	2	0	\$0.06	\$0.00
7-35	Y31210017B01	cover, key switch	电门锁盖/通用/PP黑色	1	0	\$1.23	\$0.00
ASSY.4	Y31360005S01	(24), (25), (26)	前碟刹油管下支组件/含附件	1	0	\$1.32	\$0.00
零件总计金额 USD:							\$0.00



前轮总成 FRONT WHEEL ASSY. SECTION 8							
REF.No.	PART No.	DESCRIPTION	名称	QTY Per Assy.	Order Qty	Unit Price	Total
8-1	G6187M14150G	nut, flanged, locking M14*1.5	六角法兰嵌锁螺母M14*1.5/军绿	1	0	\$0.12	\$0.00
8-2	Y31160007AW02	front axle spacer Φ15*Φ22*29, LH&RH	前轮轴左隔套 Φ15*Φ22*29/45#/蛋白(左右通用)	1	0	\$0.28	\$0.00
8-3	Y31160103	seal, dust 22/33/7	油封22/33/7(前轮总成自带)	2	0	\$0.52	\$0.00
8-4	Y31A160104	bearing 6202-2RS	轴承6202-2RS(前轮总成自带)	2	0	\$1.22	\$0.00
8-5	Y31370004G02	bol M8*25	内六角盘头螺栓/FB M8*25军绿	4	0	\$0.12	\$0.00
8-6	Y31170001a	disc, brake, front Φ240	前碟刹盘/Φ240/配四孔九齿轮毂/刀盘	1	0	\$4.71	\$0.00
8-7	Y31160105	front axle spacer Φ21*Φ16*53	前轮轴承隔套 Φ21*Φ16*53(前轮总成自带)	1	0	\$0.18	\$0.00
8-8	Y31160007AW02	front axle spacer Φ15*Φ22*29, LH&RH	前轮轴左隔套 Φ15*Φ22*29/45#/蛋白(左右通用)	1	0	\$0.15	\$0.00
8-9	Y31160001G02	axle for front wheel Φ15*M14*225	前轮轴/六角法兰面Φ15*M14*225/45#9.8级军绿	1	0	\$2.52	\$0.00
8-10	Y37160004	inner tube protector band, 21"	轮胎衬带/配21寸轮子/送星(轮胎自带)	1	0	\$1.21	\$0.00
8-10		inner tube protector band, 19"		1	0	\$1.19	\$0.00
8-11	Y37160003	inner tube, 21"	内轮胎80/100-21/送星	1	0	\$1.17	\$0.00
8-11		inner tube, 19"		1	0	\$1.98	\$0.00
8-12	Y37160002	tire, front, YX, 21"	外轮胎/越野胎80/100-21/送星(租店)	1	0	\$17.54	\$0.00
8-12		tire, front, YX, 19"		1	0	\$13.46	\$0.00
8-12	Y37160002	tire, front, Kenda, 21"	外轮胎/越野胎80/100-21/送星(租店)	1	0	\$29.00	\$0.00
8-12		tire, front, Kenda, 19"		1	0	\$24.00	\$0.00
8-13	G6170M8G	nut m8	六角螺母 M8/军绿	1	0	\$0.04	\$0.00
8-14	Y37160005B01	cap, air valve	气门帽/塑料黑色/通用(内胎自带)	1	0	\$0.10	\$0.00
8-15	Y31160102S01	hub, front	前轮轴心/铝银色/四孔九齿15轴(总成自带)	1	0	N/A	
8-16	Y31160101aB01	rim, front 21"	轮圈/铁黑圈/1.60*21(总成自带)	1	0	N/A	
8-16		rim, front 19"		1	0	N/A	
8-17	Y37160106	spokes, 21"	辐条/钢镀铬/配四孔九齿21寸前轮(总成自带)	36	0	\$0.17	\$0.00
8-17		spokes, 19"		36	0	\$0.17	\$0.00
8-18	Y37280107	nut, spokes	条母/钢镀铬(总成自带)	36	0	\$0.06	\$0.00
8-19	Y311601aB01	rim assy, front, steel 1.60*21"	前轮圈总成/铁黑圈/1.60*21/四孔九齿15轴	1	0	\$23.60	\$0.00
8-19		rim assy, front, aluminum 1.60*21"	前轮圈总成/铝黑圈/1.60*21/四孔	1	0	\$30.30	\$0.00
8-19		rim assy, front, steel 1.40*19"	前轮圈总成/铁黑圈/1.40*19/四孔	1	0	\$18.40	\$0.00
8-19		rim assy, front, aluminum 1.40*19"	前轮圈总成/铝黑圈/1.40*19/四孔	1	0	\$23.10	\$0.00
		rim lock		1	0	\$4.39	\$0.00
零件总计金额 USD:							\$0.00

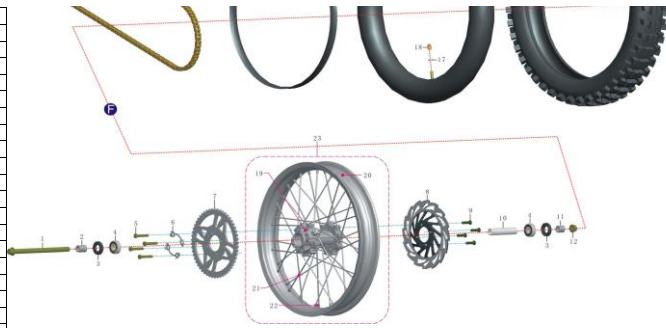


后轮总成 REAR WHEEL ASSY. SECTION 9							
REF.No.	PART No.	DESCRIPTION	名称	QTY Per Assy.	Order Qty	Unit Price	Total
9-1	Y31280001G02	axle for rear wheel Φ15*M14*220	后轮轴/六角法兰面Φ15*M14*220/45#9.8级军绿	1	0	\$2.52	\$0.00
9-2	Y30280007W02	rear axle spacer Φ15*Φ22*28.5, LH	后轮轴左隔套/Φ15*Φ22*28.5/45#/蛋白	1	0	\$0.28	\$0.00
9-3	Y31280103	seal, dust 22-42-7-4	后轮油封22-42-7-4(后轮总成自带)	2	0	\$0.52	\$0.00
9-4	Y31280104	rear rim bearing 6302RS	后轮轴承6302RS(后轮总成自带)	2	0	\$1.18	\$0.00



9-5	G5783M840125GJ	bol, M8*40*1.25	六角头螺栓GB/T5783/M8*40*1.25	4	0	\$0.18	\$0.00
9-6	Y31360006W02	locking washer, sprocket	锁紧垫片/后四孔九齿链轮/蓝白	2	0	\$0.34	\$0.00
9-7	Y3128001042854W02	sprocket, rear 428-54T/Φ52*Φ67.5	后链轮/428-54T/后四孔九齿链轮Φ52*Φ67.5/灰蓝白	1	0	\$4.46	\$0.00
9-8	Y312900001a	disc, brake, rear Φ220	后碟刹盘/Φ220/后四孔九齿链轮/刀盘	1	0	\$4.76	\$0.00
9-9	Y31370004G02	bol, M8*25	内六角盘头螺钉/7.5/ M8*25/军绿	4	0	\$0.12	\$0.00
9-10	Y30280105	rear axle spacer Φ15*Φ22*97.5	后轮轴承隔套 Φ15*Φ22*97.5 (后轮总成自带)	1	0	\$0.68	\$0.00
9-11	Y80160008W02	rear axle spacer Φ15*Φ22*20	后轮轴承隔套 Φ15*Φ22*20 /45#/蓝白	1	0	\$0.16	\$0.00
9-12	G6187M14150G	nut, flanged, locking M14*1.5	六角法兰面锁紧螺母M14*1.5/军绿	1	0	\$0.14	\$0.00
9-13	GB14212428140	chain 428-140L	链条/428-140L/本色/KMC	1	0	\$6.00	\$0.00
9-14	Y37280004	inner tube protector band 18"	轮胎衬带/后18寸轮子/蓝黑	1	0	\$1.19	\$0.00
9-14	Y37280003	inner tube protector band 16"	轮胎衬带/后16寸轮子/蓝黑	1	0	\$1.19	\$0.00
9-15	Y37280003	inner tube 18"	内轮胎110/90-18/蓝黑	1	0	\$2.17	\$0.00
9-15	Y37280002	inner tube 16"	内轮胎90/100-16/蓝黑	1	0	\$1.74	\$0.00
9-16	Y37280002	tire, rear, YX, 18"	外轮胎/越野胎110/90-18/蓝黑	1	0	\$25.25	\$0.00
9-16	Y37280002	tire, rear, YX, 16"	外轮胎/越野胎110/90-16/蓝黑	1	0	\$19.33	\$0.00
9-16	Y37280002	tire, rear, Kenda, 18"	外轮胎/越野胎110/90-18/建大	1	0	\$36.00	\$0.00
9-16	Y37280002	tire, rear, Kenda, 16"	外轮胎/越野胎110/90-16/建大	1	0	\$26.00	\$0.00
9-17	G6170M8G	nut m8	六角螺母 M8/军绿	1	0	\$0.04	\$0.00
9-18	Y37160005B01	cap, air valve	气门帽/塑料黑色/通用(内胎自带)	1	0	\$0.10	\$0.00
9-19	Y30280102S01	hub, rear	后轮轴芯/铝银色/四孔九齿15齿 (总成自带)	1		N/A	
9-20	Y31280101B01	rim, rear	轮圈/铁黑/2.15*18 (总成自带)	1		N/A	
9-21	Y37280106	spokes 18"	辐条/钢镀铬/后四孔九齿18寸前轮 (总成自带)	36	0	\$0.17	\$0.00
9-21	Y37280106	spokes 16"	辐条/钢镀铬/后四孔九齿16寸前轮 (总成自带)	36	0	\$0.17	\$0.00
9-22	Y37280107	nut, spokes	螺母/钢镀铬 (总成自带)	36	0	\$0.06	\$0.00
9-23	Y312801aB01	rim assy. Rear, steel, 2.15*18	后轮钢总成/铁黑/2.15*18/四孔九齿15齿	1	0	\$27.60	\$0.00
9-23	Y312801aB01	rim assy. Rear, aluminum, 2.15*18	后轮钢总成/铝黑/2.15*18	1	0	\$32.90	\$0.00
9-23	Y312801aB01	rim assy. Rear, steel, 1.6*16	后轮钢总成/铁黑/1.6*16	1	0	\$20.80	\$0.00
9-23	Y312801aB01	rim assy. Rear, aluminum, 1.6*16	后轮钢总成/铝黑/1.6*16	1	0	\$25.70	\$0.00
		rim lock		1	0	\$4.39	\$0.00

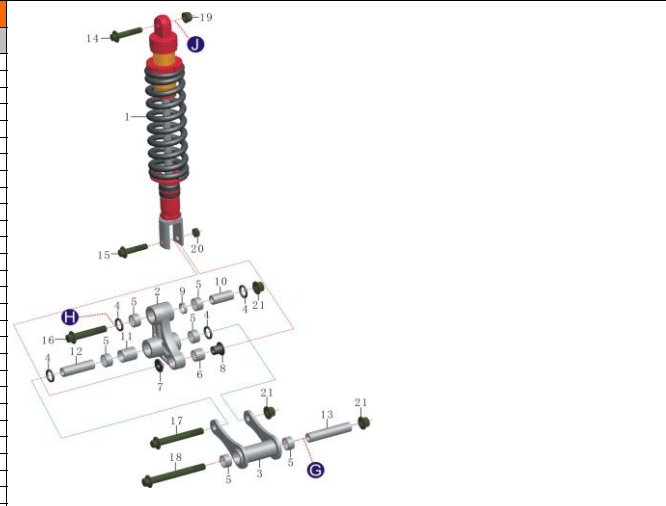
零件总计金额 USD: \$0.00



**后减震/后下摆架机构 REAR SHOCK AND LINKAGE ASSY. SECTION 10**

REF.No.	PART No.	DESCRIPTION	名称	QTY Per Bkx.	Order Qty	Unit Price	Total
10-1	Y312701bB01	shock absorber, non-adjustable L=380mm (5)	后减震器(不可调/380无气量/黑色/连正林31	1	0	\$20.90	\$0.00
10-1	Y312701gB01	shock absorber, adjustable (Z)	后减震器(可调/380无气量/黑色/31/正林31	1	0	\$37.64	\$0.00
10-2	Y31260005S01	linkage, suspension	下摆架/XB-31/铝/银色	1	0	\$5.46	\$0.00
10-3	Y31260012502B	suspension, tie rod	悬架连接臂/31/铁/原银亚钢	1	0	\$2.74	\$0.00
10-4	G9877F18243	seal, dust 18*24*3	油封/18*24*3	4	0	\$0.20	\$0.00
10-5	G5801GHK1812	bearing HK1812	滚针轴承HK1812	6	0	\$0.42	\$0.00
10-6	G5801GHK162216	bearing HK162216	滚针轴承HK162216	1	0	\$0.88	\$0.00
10-7	Y31260013	spacer Φ10*Φ16*6	轴承套 Φ10*Φ16*6台阶/轴承钢	1	0	\$0.17	\$0.00
10-8	Y31260013a	spacer Φ10*Φ16*17	轴承套 Φ10*Φ16*17台阶/轴承钢	1	0	\$0.24	\$0.00
10-9	Y31260014aW02	spacer Φ20*Φ24*6	隔套 Φ20*Φ24*6/45#/蓝白锌	1	0	\$0.15	\$0.00
10-10	Y31260014b	spacer Φ12*Φ18*40	轴承套 Φ12*Φ18*40/轴承钢	1	0	\$0.60	\$0.00
10-11	Y31260014W02	spacer Φ20*Φ24*27	隔套 Φ20*Φ24*27/45#/蓝白锌	1	0	\$0.10	\$0.00
10-12	Y31260014c	spacer Φ12.2*Φ18*61	轴承套 Φ12.2*Φ18*61/轴承钢	1	0	\$0.71	\$0.00
10-13	Y31260014d	spacer Φ12.2*Φ18*83	轴承套 Φ12.2*Φ18*83/轴承钢	1	0	\$0.42	\$0.00
10-14	G16674M1040125GJ	bol, flanged M10*40*1.25	六角法兰面螺栓M10*40*1.25/军绿	1	0	\$0.21	\$0.00
10-15	G16674M1045125GJ	bol, flanged M10*45*1.25	六角法兰面螺栓M10*45*1.25/军绿	1	0	\$0.21	\$0.00
10-16	G16674M1270125GJ	bol, M12*70*1.25	六角法兰面螺栓GB/T16674.1/M12*70*1.25	1	0	\$0.46	\$0.00
10-17	G16674M1290125GJ	bol, flanged M12*90*1.25	六角法兰面螺栓M12*90*1.25/军绿	1	0	\$0.66	\$0.00
10-18	G16674M12110125GJ	bol, flanged M12*110*1.25	六角法兰面螺栓M12*110*1.25/军绿	1	0	\$0.74	\$0.00
10-19	G6187M10125G	nut, flanged, locking M10*1.25	六角法兰面锁紧螺母M10*1.25/军绿	1	0	\$0.06	\$0.00
10-20	G6170M10G	nut M10	六角螺母 M10/军绿	1	0	\$0.06	\$0.00
10-21	G6187M12125G	nut, flanged, locking M12*1.25	六角法兰面锁紧螺母M12*1.25/军绿	3	0	\$0.15	\$0.00

零件总计金额 USD: \$0.00



**后平叉总成 REAR SWING ARM ASSY. SECTION 11**

REF.No.	PART No.	DESCRIPTION	名称	QTY Per Bkx.	Order Qty	Unit Price	Total
11-1	Y31260001G02	bol, flanged M12*215	六角法兰面螺栓M12*215/45#9.8级/(军绿)	1	0	\$1.05	\$0.00
11-2	Y30340002B01	slider, chain, swing arm	链条滑块/30, 31, 32, 33新款/聚氨酯黑色	1	0	\$1.62	\$0.00
11-3	G819M612G	bol, M6*12	十字槽沉头螺钉/M6*12/军绿	3	0	\$0.06	\$0.00
11-4	Y37360003gG02	spacer Φ7*Φ9*Φ15*4	隔套 Φ7*Φ9*Φ15*4(借用33B前泥板)	1	0	\$0.15	\$0.00
11-5	Y37370007G02	washer, oval Φ6	凹形垫圈/Φ6/军绿	2	0	\$0.05	\$0.00
11-6	Y31260002G02	spacer Φ12*Φ20*Φ28*10	后平叉侧边衬套/Φ12*Φ20*Φ28*10/摩托车中轴/45#/军绿	2	0	\$0.28	\$0.00
11-7	G9877F20325	seal, dust 20*32*5	油封/20*32*5	2	0	\$0.28	\$0.00
11-8	G4663TAXK1730	bearing AXK1730/AS1730	推力圆锥滚子轴承 AXK1730/AS1730	2	0	\$1.03	\$0.00
11-9	Y30260003	spacer Φ12*Φ17*35	后平叉隔套/Φ12*Φ17*35/轴承钢/30/31/32/33/35/摩托车	2	0	\$0.61	\$0.00





11-10	G5801GNK1720	bearing NK17/20	滚针轴承 NK17/20	2	0	\$1.64	\$0.00
11-11	Y31A2601B02B	rear swing arm, black	后平叉/31凸面/18轮子/铁/喷漆亚黑	1	0	\$24.32	\$0.00
	Y31A2601S02B	rear swing arm, grey	后平叉/31凸面/18轮子/铁/喷漆亚银	1	0	\$24.32	\$0.00
11-12	Y31260003L	spacer $\phi 12.5 \times \phi 18 \times 94.5$	后平叉隔套/ $\phi 12.5 \times \phi 18 \times 94.5$ /发黑	1	0	\$0.32	\$0.00
11-13	G6187M12125G	nut, flanged, locking M12*1.25	六角法兰盖锁螺母M12*1.25/军绿	1	0	\$0.20	\$0.00
11-14	G819M512G	bolt M5*12	十字槽沉头螺钉M5*12/军绿	2	0	\$0.05	\$0.00
11-15	Y31210021B01	bracket, brake hose	后碟刹油管夹/PP黑色	2	0	\$0.10	\$0.00
11-16	G899M6G	nut, locking M6	非金属锁件六角锁紧螺母M6/军绿	2	0	\$0.04	\$0.00
11-17	Y31360004S02B	plate, chain guide	链条导向支架/通用/喷漆亚银	1	0	\$1.06	\$0.00
11-18	Y31340003B01	chain guide insert, rubber, LH	链条导向胶(左)/通用/橡胶黑色	1	0	\$0.89	\$0.00
11-19	Y31340004B01	chain guide insert, rubber, RH	链条导向胶(右)/通用/橡胶黑色	1	0	\$0.89	\$0.00
11-20	G702M645G	bolt M6*45	内六角平圆头螺钉M6*45/军绿	2	0	\$0.10	\$0.00
11-21	Y37370012G02	nut M8	六角头螺母F8 M8*1.25/5mm厚对边12军绿	2	0	\$0.04	\$0.00
11-22	Y37370013G02	rear jack bolts M8*50	小头六角螺栓/M8*50*1.25/军绿	2	0	\$0.32	\$0.00
11-23	Y31260018S01	adjuster bolts, wheel, LH & RH	调链器/粗/锥式/15轴孔/银色	2	0	\$0.56	\$0.00
11-24	Y30280008aW02	spacer $\phi 15 \times \phi 22 \times 5.5$	后轮轴右隔套/ $\phi 15 \times \phi 22 \times 5.5$ /45#/蓝白	1	0	\$0.11	\$0.00
11-25	SEE SECTION 13	caliper, brake, rear, bottom	后碟刹下泵黑色(总成自带)	1		N/A	
11-26	Y33290102B01	brake pads, rear, standard	摩碟片普通(配双泵)	1	0	\$1.86	\$0.00
11-26	Y33290102aB01	brake pads, rear, asbestos free (Australia)	摩碟片/有机基摩碟片(配双泵)	1	0	\$3.82	\$0.00
11-27	Y37220001B01	cover, chain	链罩/三角/PP黑色	1	0	\$1.41	\$0.00
11-28	G702M612G	bolt M6*12	内六角平圆头螺钉M6*12/军绿	2	0	\$0.12	\$0.00
11-29	G96F6G	flat washer $\phi 6$	大垫片 $\phi 6$ /军绿	2	0	\$0.04	\$0.00
11-30	Y37340005B01	rubber washer $\phi 6$	橡胶垫/ $\phi 6$ 黑色	2	0	\$0.03	\$0.00

零部件总计金额 USD:

\$0.00

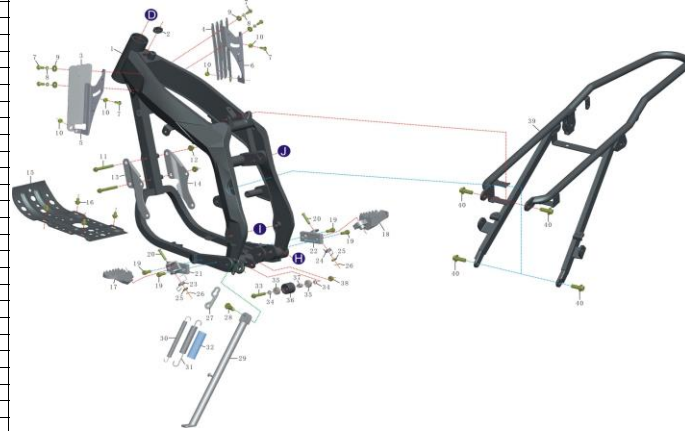
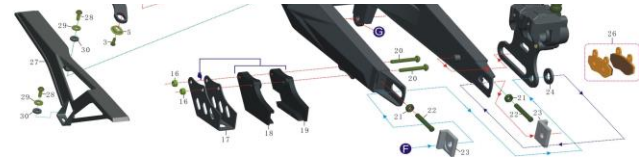
车架和后尾架总成 FRAME AND SUB-FRAME. SECTION 12

REF.No.	PART No.	DESCRIPTION	名称	QTY Per Ass'y	Order Qty	Unit Price	Total
12-1	Y311801S02B	frame, grey	车架(带后架)/31凸面/铁/喷漆亚银	1	0	\$49.62	\$0.00
12-1	Y311801B02B	frame, black	车架(带后架)/31凸面/铁/喷漆亚黑	1	0	\$49.62	\$0.00
12-2	Y31340007B01	grommet, oval	腰形胶圈/耐高温橡胶黑色	1	0	\$0.10	\$0.00
12-3	Y31210014W01	air deflector, LH	左导风板/31/PP/白色	1	0	\$0.95	\$0.00
12-4	Y31210015W01	air deflector, RH	右导风板/31/PP/白色	1	0	\$0.95	\$0.00
12-5	Y3136001B02B	bracket, air deflector, LH	左导风板支架/31/30/32/铁/喷漆亚黑	1	0	\$1.19	\$0.00
12-6	Y3136001B02B	bracket, air deflector, RH	右导风板支架/31/30/32/铁/喷漆亚黑	1	0	\$1.19	\$0.00
12-7	G702M612G	bolt M6*12	内六角平圆头螺钉M6*12/军绿	6	0	\$0.06	\$0.00
12-8	G93F6G	lock washer $\phi 6$	弹垫 $\phi 6$ /军绿	4	0	\$0.03	\$0.00
12-9	G96F6G	flat washer $\phi 6$	大垫片 $\phi 6$ /军绿	4	0	\$0.04	\$0.00
12-10	G6187M6G	nut, flanged, locking M6	六角法兰盖锁螺母M6/军绿	4	0	\$0.04	\$0.00
12-11	G16674M870125G	bolt-flanged M8*70*1.25	六角法兰盖螺母M8*70*1.25/军绿10.9级	2	0	\$0.21	\$0.00
12-12	G6187M8G	nut, flanged, locking M8	六角法兰盖锁螺母M8/军绿	2	0	\$0.04	\$0.00
12-13	Y311806B02B	bracket, engine, LH	发动机前左护板/31/铁/喷漆亚黑	1	0	\$0.76	\$0.00
12-14	Y311807B02B	bracket, engine, RH	发动机前右护板/31/铁/喷漆亚黑	1	0	\$0.76	\$0.00
12-15	Y301804B02B	engine skid plate (protector)	发动机护板/30,31/铁/喷漆亚黑	1	0	\$3.73	\$0.00
12-16	G16674M810125G	bolt-flanged M8*10*1.25	六角法兰盖螺母M8*10*1.25/军绿	4	0	\$0.10	\$0.00
12-17	Y31240001B02B	foot rest, LH	左脚脚踏/31/普通铁/喷漆黑色通用	1	0	\$1.81	\$0.00
12-18	Y31240002B02B	foot rest, RH	右脚脚踏/31/普通铁/喷漆黑色通用	1	0	\$1.81	\$0.00
12-19	G701M820125G	bolt M8*20*1.25	内六角圆柱头螺钉 M8*20*1.25/军绿10.9级	4	0	\$0.12	\$0.00
12-20	G882F843G	pin, rod $\phi 8 \times 43$	销轴/G8/T882 8*43/军绿	2	0	\$0.21	\$0.00
12-21	Y31240003B02B	bracket, foot rest, LH	左脚脚踏支架/31/X05铁/喷漆亚黑	1	0	\$1.82	\$0.00
12-22	Y31240004B02B	bracket, foot rest, RH	右脚脚踏支架/31/X05铁/喷漆亚黑	1	0	\$1.76	\$0.00
12-23	Y313600037W02	spring, foot rest, LH	扭簧/配普通铁皮脚踏/弹簧钢/蓝白(左)	1	0	\$0.16	\$0.00
12-24	Y313600038W02	spring, foot rest, RH	扭簧/配普通铁皮脚踏/弹簧钢/蓝白(右)	1	0	\$0.16	\$0.00
12-25	G97F8G	flat washer $\phi 8$	垫片 $\phi 8$ /军绿	2	0	\$0.04	\$0.00
12-26	G91F225G	cotter pin 2*25	开口销/G8/T91 2*25	2	0	\$0.03	\$0.00
12-27	Y31230004W02	bracket, spring, kick stand	侧支架弹簧挂片/31/喷漆亚白色	1	0	\$0.42	\$0.00
12-28	Y31270011G02	bolt M10*25	六角台形螺栓/F8 M10*25军绿	1	0	\$0.18	\$0.00
12-29	Y312302B02B	kick stand	侧支架/31/390/喷漆亚黑	1	0	\$2.74	\$0.00
12-30	Y31360002W02	auxiliary kick stand spring	拉簧/31侧支架弹簧120(小)/蓝白	1	0	\$0.65	\$0.00
12-31	Y31360002aW02	main kick stand spring	拉簧/31侧支架弹簧58(大)/蓝白	1	0	\$0.85	\$0.00
12-32	Y373400031	cover, spring	脚踏弹簧护罩/通用 $\phi 22 \times \phi 24 \times 65$ /透明胶管	1	0	\$0.18	\$0.00
12-33	G16674M845125G	bolt-flanged M8*45*1.25	六角法兰盖螺母M8*45*1.25/军绿	1	0	\$0.18	\$0.00
12-34	Y313614W02	spacer $\phi 12 \times \phi 8 \times 3$	隔套 $\phi 12 \times \phi 8 \times 3$ /45#/蓝白	2	0	\$0.15	\$0.00
12-35	G276S608ZZ	bearing 608ZZ	深沟球轴承608ZZ	2	0	\$0.37	\$0.00
12-36	Y31260015B01	roller, chain guide	张紧轮/通用/橡胶黑色	1	0	\$1.04	\$0.00
12-37	Y333614W02	spacer $\phi 8 \times \phi 12 \times 10$	隔套 $\phi 8 \times \phi 12 \times 10$ /45#/蓝白	1	0	\$0.15	\$0.00
12-38	G6187M8G	nut, flanged, locking M8	六角法兰盖锁螺母M8/军绿	1	0	\$0.04	\$0.00
12-39	Y313001S02B	sub-frame, grey	后尾架/31普通铁/铁/喷漆亚黑	1	0	\$13.51	\$0.00
12-39	Y313001B02B	sub-frame, black	后尾架/31普通铁/铁/喷漆亚黑	1	0	\$13.51	\$0.00
12-40	G16674M820125G	bolt-flanged M8*20*1.25	六角法兰盖螺母M8*20*1.25/军绿	4	0	\$0.12	\$0.00

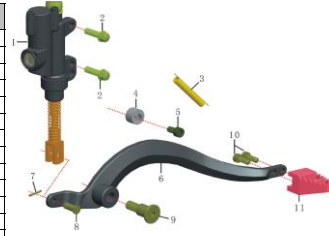
零部件总计金额 USD:

\$0.00

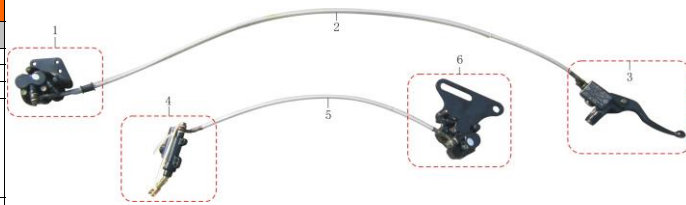
刹车机构 BRAKE ASSY. SECTION 13



REF.No.	PART No.	DESCRIPTION	名称	QTY Per Unit	Order Qty	Unit Price	Total
13-1	<b>SEE SECTION 13</b>	master cylinder, rear	后碟刹下泵	1		N/A	
13-2	G16674M616G	bolt-flanged M6*16	六角法兰螺栓M6*16/军绿	2	0	\$0.06	\$0.00
13-3	Y31360002BWO2	spring, bracket, brake, rear	拉簧/31款刹车臂回位弹簧/蓝白	1	0	\$0.30	\$0.00
13-4	Y373616S01	spacer Φ6.2*Φ10.5*Φ16*9	刹车杆偏心轮/Φ6.2*Φ10.5*Φ16*9/铝银色	1	0	\$0.46	\$0.00
13-5	G701M612G	bolt M6*12	内六角圆柱头螺钉 M6*12/军绿	1	0	\$0.06	\$0.00
13-6	Y31250001B02B	lever, brake, rear, black	刹车拨臂/31/30/X18-1铸钢/喷漆亚黑	1	0	\$2.67	\$0.00
	Y31250001S02B	lever, brake, rear, grey	刹车拨臂/31/30/X18-1铸钢/喷漆亚银	1	0	\$2.67	\$0.00
13-7	G91F225G	cotter pin Φ2	开口销/GB/T91 2*25/军绿	1	0	\$0.03	\$0.00
13-8	G882F616G	pin, lever, brake	销轴/GB/T882 6*16/军绿	1	0	\$0.17	\$0.00
13-9	Y37370010G02	bolt Φ12*18*M10*34	内六角盘头台阶螺栓/FBΦ12*18*M10*34/军绿(刹车拨臂铸钢)	1	0	\$0.55	\$0.00
13-10	G701M616G	bolt M6*16	内六角圆柱头螺钉M6*16/军绿	2	0	\$0.06	\$0.00
13-11	Y31250002S01	brake lever tip (alloy)	刹车拨臂帽/31/铝/银色/通用	1	0	\$1.39	\$0.00
<b>零部件总计金额 USD:</b>							<b>\$0.00</b>

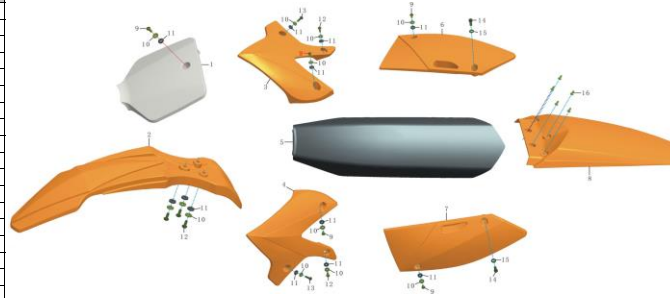


<b>前后碟刹器总成 BRAKE ASSY.2, FT &amp; RR. SECTION 14</b>							
REF.No.	PART No.	DESCRIPTION	名称	QTY Per Unit	Order Qty	Unit Price	Total
<b>ASSY.5</b>	Y352901B01	brake assy., rear	后碟刹器总成/大双泵/680/前空管/上下黑色35/不带开关15轴	1	0	\$12.32	\$0.00
<b>ASSY.6</b>	Y311701B01	brake assy., front	前碟刹器总成/大双泵/1300/前空管/上下黑色31/35/带开关轴	1	0	\$12.81	\$0.00
14-1	Y31170104B01	disc, brake, front, bottom	前碟刹踏下泵黑色 (总成自带)	1			
14-2	Y358170106S01	hose, brake, front	前碟刹进油管,长=1300mm航空管 (总成自带)	1			
14-3	Y31170103B01	master cylinder, front, top	前碟刹泵上泵黑色 (总成自带)	1			
14-4	Y33290103B01	master cylinder, rear, top	后碟刹泵上泵黑色 (总成自带)	1			
14-5	Y31A290106S01	hose, brake, rear	后碟刹进油管,长=680mm航空管 (总成自带)	1			
14-6	Y33290104B01	caliper, brake, rear, bottom	后碟刹踏下泵黑色 (总成自带)	1			
<b>零部件总计金额 USD:</b>							<b>\$0.00</b>



<b>外罩总成/坐垫 FENDER AND SEAT ASSY. SECTION 15</b>							
REF.No.	PART No.	DESCRIPTION	名称	QTY Per Unit	Order Qty	Unit Price	Total

15-1	Y30210001W01	number plate, front, white	号码牌/30/塑料/白	1	0	\$2.09	\$0.00
	Y31150001R01	fender, front, red	前挡泥板/31/PP/红色	1	0	\$3.28	\$0.00
	Y31150001B01	fender, front, black	前挡泥板/31/PP/黑色	1	0	\$3.28	\$0.00
	Y31150001L01	fender, front, blue	前挡泥板/31/PP/蓝色	1	0	\$3.28	\$0.00
	Y31150001Y01	fender, front, yellow	前挡泥板/31/PP/黄色	1	0	\$3.28	\$0.00
	Y31150001W01	fender, front, white	前挡泥板/31/PP/白色	1	0	\$3.28	\$0.00
	Y31150001G01	fender, front, green	前挡泥板/31/PP/绿色	1	0	\$3.28	\$0.00
	Y31150001C01	fender, front, orange	前挡泥板/31/PP/橙色	1	0	\$3.28	\$0.00
	Y31210005R01	fairing, fuel tank, red, RH	前右侧板/31 /PP/红色	1	0	\$3.91	\$0.00
	Y31210005B01	fairing, fuel tank, black, RH	前右侧板/31 /PP/黑色	1	0	\$3.91	\$0.00
	Y31210005L01	fairing, fuel tank, blue, RH	前右侧板/31 /PP/蓝色	1	0	\$3.91	\$0.00
	Y31210005Y01	fairing, fuel tank, yellow, RH	前右侧板/31 /PP/黄色	1	0	\$3.91	\$0.00
	Y31210005W01	fairing, fuel tank, white, RH	前右侧板/31 /PP/白色	1	0	\$3.91	\$0.00
	Y31210005G01	fairing, fuel tank, green, RH	前右侧板/31 /PP/绿色	1	0	\$3.91	\$0.00
	Y31210005C01	fairing, fuel tank, orange, RH	前右侧板/31 /PP/橙色	1	0	\$3.91	\$0.00
	Y31210004R01	fairing, fuel tank, red, LH	前左侧板/31 /PP/红色	1	0	\$3.91	\$0.00
	Y31210004B02	fairing, fuel tank, black, LH	前左侧板/32 /PP/黑色	1	0	\$3.91	\$0.00
	Y31210004L03	fairing, fuel tank, blue, LH	前左侧板/33 /PP/蓝色	1	0	\$3.91	\$0.00
	Y31210004Y04	fairing, fuel tank, yellow, LH	前左侧板/34 /PP/黄色	1	0	\$3.91	\$0.00
	Y31210004W05	fairing, fuel tank, white, LH	前左侧板/35 /PP/白色	1	0	\$3.91	\$0.00
	Y31210004G06	fairing, fuel tank, green, LH	前左侧板/36 /PP/绿色	1	0	\$3.91	\$0.00
	Y31210004C07	fairing, fuel tank, orange, LH	前左侧板/37 /PP/橙色	1	0	\$3.91	\$0.00
15-5	Y313201B01	seat	坐垫/31/普通皮/黑/(无字)	1	0	\$7.88	\$0.00
15-6	Y31210009W01	fairing, rear, white, RH	后右侧板/31/PP/白色	1	0	\$3.80	\$0.00
	Y31210009B01	fairing, rear, black, RH	后右侧板/31/PP/黑色	1	0	\$3.80	\$0.00
15-7	Y31210008W01	fairing, rear, white, LH	后左侧板/31/PP/白色	1	0	\$3.80	\$0.00
	Y31210008B01	fairing, rear, black, LH	后左侧板/31/PP/黑色	1	0	\$3.80	\$0.00
	Y31310001R01	fender, rear, red	后挡泥板/31/PP/红色	1	0	\$3.12	\$0.00
	Y31310001B02	fender, rear, black	后挡泥板/32/PP/黑色	1	0	\$3.12	\$0.00
	Y31310001L03	fender, rear, blue	后挡泥板/33/PP/蓝色	1	0	\$3.12	\$0.00
	Y31310001Y04	fender, rear, yellow	后挡泥板/34/PP/黄色	1	0	\$3.12	\$0.00
	Y31310001W05	fender, rear, white	后挡泥板/35/PP/白色	1	0	\$3.12	\$0.00
	Y31310001G06	fender, rear, green	后挡泥板/36/PP/绿色	1	0	\$3.12	\$0.00
	Y31310001C07	fender, rear, orange	后挡泥板/37/PP/橙色	1	0	\$3.12	\$0.00
15-9	G702M612G	bolt, M6*12	内六角平圆头螺钉M6*12/军绿	5	0	\$0.06	\$0.00
15-10	G96F6G	flat washer Φ6	大垫片 Φ6/军绿	12	0	\$0.04	\$0.00
15-11	Y37340005B01	rubber washer Φ6	橡胶垫/Φ6黑色	12	0	\$0.03	\$0.00
15-12	G702M616G	bolt, M6*16	内六角平圆头螺钉M6*16/军绿	5	0	\$0.06	\$0.00
15-13	G702M620G	bolt, M6*20	内六角平圆头螺钉M6*20/军绿	2	0	\$0.08	\$0.00
15-14	G701M820125G	bolt, M8*20	内六角圆柱头螺钉M8*20/军绿	2	0	\$0.12	\$0.00
15-15	G97F8G	flat washer Φ8	平垫圈Φ8/军绿	2	0	\$0.04	\$0.00



15-16	G845ST4812G	bolt, ST4.8*12	十字槽盘头自攻螺钉GB/T845/ST4.8*12	5	0	\$0.03	\$0.00
-------	-------------	----------------	---------------------------	---	---	--------	--------

**SOUTH KOREAN PP MATERIAL IS USED FOR ALL PLASTICS**

**零件总计金额 USD: \$0.00**

**油箱总成 FUEL TANK ASSY. SECTION 16**

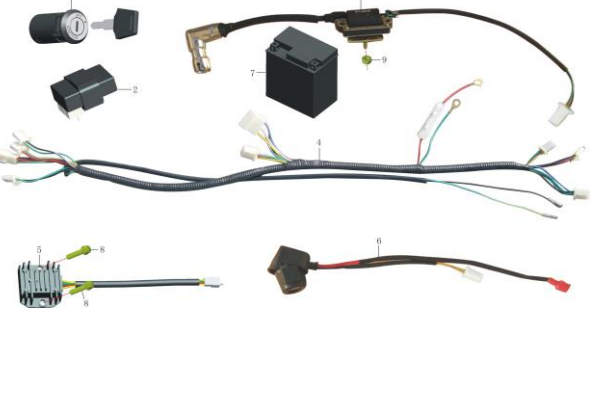
REF.No.	PART No.	DESCRIPTION	名称	QTY Per Bkx	Order Qty	Unit Price	Total
16-1	G701M830125G	bolt, M8*30	内六角部柱头螺钉M8*30/军绿	2	0	\$0.16	\$0.00
16-2	G96F8G	flat washer Ø8	大垫圈Ø8/军绿	2	0	\$0.04	\$0.00
16-3	G819M612G	bolt M6*12	十字槽沉头螺钉M6*12/军绿	1	0	\$0.06	\$0.00
16-4	Y37210020B01	bracket, seat	坐垫架卡孔T形	1	0	\$0.15	\$0.00
16-5	Y37210028B01	cap, breather hose	通气管帽/通用/塑料黑色	1	0	\$0.15	\$0.00
16-6	Y37340010B01	breather hose	油箱盖通气管/橡胶黑色/L=0.05米/通用	1	0	\$0.20	\$0.00
16-7	Y371902B01	cap, fuel tank, plastic, standard	油箱盖/通用/塑料/黑	1	0	\$0.97	\$0.00
16-7		cap, fuel tank, plastic (EPA)		1	0	\$1.28	\$0.00
16-7	Y371902a501	cap, fuel tank, aluminum	油箱盖/铝银色 (含附件)	1	0	\$4.30	\$0.00
16-8	Y301901B01	fuel tank, standard	油箱/30/PP/黑/未合开关	1	0	\$9.67	\$0.00
16-8		fuel tank (EPA)		1	0	\$21.24	\$0.00
16-9	Y373617G03	clamp, hose Ø8	钢丝卡簧Ø8彩特	6	0	\$0.10	\$0.00
16-10	Y371904	filter, fuel	汽油过滤器/塑料	1	0	\$0.88	\$0.00
16-11	Y301903	pet-cock, fuel	油箱开关/31/30	1	0	\$0.97	\$0.00
16-12	G701M620G	bolt, M6*20	内六角部柱头螺钉M6*20/军绿	1	0	\$0.08	\$0.00
16-13		hose, fuel 1 L=100mm (EPA)	油箱/橡胶黑色 长=100mm 1/ EPA	1	0	\$0.30	\$0.00
16-14	Y31340011B01	hose, fuel 2 L=40mm (EPA)	油箱/橡胶黑色 长=40mm 1/ EPA	1	0	\$0.15	\$0.00
16-15		hose, fuel 1 L=160mm (EPA)	油箱/橡胶黑色 长=160mm 1/ EPA	1	0	\$0.40	\$0.00
16-16	G889M6G	nut, locking M6	非金属锁件六角嵌紧螺母M6/军绿	1	0	\$0.04	\$0.00



**零件总计金额 USD: \$0.00**

**电器件 ELECTRICAL COMPONENTS SECTION 17**

REF.No.	PART No.	DESCRIPTION	名称	QTY Per Bkx	Order Qty	Unit Price	Total
17-1	Y31780101	key switch assy.	电门锁/卡如式/两档4线/普通插件	1	0	\$1.86	\$0.00
17-2	Y318401	CDI, standard	点火器/交流/CG125/先珠/普通插件	1	0	\$1.42	\$0.00
17-2		CDI, (EPA)		1	0	\$1.57	\$0.00
17-3	Y318301B01	ignition coil, standard	高压包70/普通黑色/屏威/普通插件	1	0	\$1.87	\$0.00
17-3		ignition coil, (EPA)		1	0	\$1.87	\$0.00
17-4	Y318001	wiring harness, Off Road	主电源总成/35/普通插件电起动	1	0	\$6.52	\$0.00
17-4		wiring harness, On Road		1	0	\$9.74	\$0.00
17-5	Y318501	rectifier	整流器/全波/有线4插	1	0	\$2.18	\$0.00
17-6	Y378202a	solenoid, starter	启动电机/先珠/普通插件	1	0	\$3.53	\$0.00
17-7	Y318101	battery 12V, 7AH, Standard	蓄电池/12V7AH/GT7L-B5	1	0	\$14.00	\$0.00
17-7	Y378101a	battery 12V, 7AH (MOTOBATT)	蓄电池/带捷/12V7AH免维护	1	0	\$24.14	\$0.00
17-8	G16674M616G	bolt-flanged M6*16	六角法兰螺柱M6*16/军绿	2	0	\$0.06	\$0.00
17-9	G889M6G	nut, locking M6	非金属锁件六角嵌紧螺母M6/军绿	1	0	\$0.04	\$0.00



**零件总计金额 USD: \$0.00**

**拉索 CABLES SECTION 18**

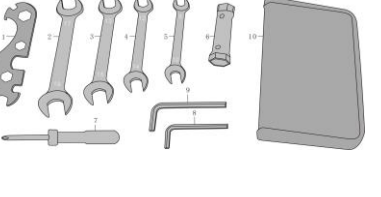
REF.No.	PART No.	DESCRIPTION	名称	QTY Per Bkx	Order Qty	Unit Price	Total
18-1	Y3381201B01	cable, clutch L=1200, A+B=120	离合器线/L=1200/A+B=120/后置离合/普通黑色	1	0	\$1.06	\$0.00
18-2	Y311202B01	cable, throttle L=850, A+B=110	油门线/L=850/A+B=110/盲头/普通黑色	1	0	\$0.94	\$0.00



**零件总计金额 USD: \$0.00**

**随车工具 TOOL KIT SECTION 19**

REF.No.	PART No.	DESCRIPTION	名称	QTY Per Bkx	Order Qty	Unit Price	Total
ASSY 7	Y370401b	tool kit	工具包(含全套工具)	1	0	\$2.57	\$0.00
19-1	Y370407 N/A		多用扳手	1			
19-2	Y370402c N/A		开口扳手/17-19#	1			
19-3	Y370402b N/A		开口扳手/13-15#	1			
19-4	Y370402a N/A		开口扳手/12-14#	1			
19-5	Y370402 N/A		开口扳手/8-10#	1			
19-6	Y370403 N/A		火花塞套筒	1			
19-7	Y370404 N/A		两用螺丝刀	1			
19-8	Y370405 N/A		5#	1			
19-9	Y370405a N/A		6#	1			



N/A



19-10	Y370401 N/A		工具箱/250*180普通	1			
19-11	Y310501	owner manual	说明书/35款中性16升4页黑白英文版	1	0	\$1.60	\$0.00
19-12	Y37040001		车架铭牌/1号带CE母公司名	1			
19-13	Y37040002		吊卡/3号红色手把吊卡 (吊卡/红色/170*100)	1			
19-14	Y37040004b		中性警告标 (13件套装) /4号黑色警告标贴/英法西三语语言/8	1			
19-15	Y37040005		警告铭牌/5号16岁以下警告组牌	1			
19-16	Y37040006		油隔口吊卡/1号黄色油隔吊卡 (加冲安全注意事项标识, 英法西	1			
19-17	Y370406a		最大载重量警告标/中性警告标/英法西三语语/119.6*18.5/25	1			
19-18	Y31040019		非专业赛车警告标/悬牌纸/60mmx25mm/通用	1			

零部件总计金额 USD: **\$0.00**

**贴花 STICKER KIT SECTION 20**

REF.No.	PART No.	DESCRIPTION	名称	QTY Per Unit	Order Qty	Unit Price	Total
20-1	Y31330101	sticker kit (513)	车身贴花/31款01号贴花513款	1	0	\$7.24	\$0.00
20-2	Y35330201	xmotos logo sticker	商标字贴/所有车型01号XMOTOS字贴513款	6			
20-3	Y35330602	front fork cover graphics	防止漏贴花/35/33B/35B款02号花灰黑 (矩和款)	1			
20-4	Y370406a	warning labels	最大载重量警告标/中性警告标/英法西三语语/119.6*18.5/25	1			
20-5	Y31040019	non-competition warning label	非专业赛车警告标/悬牌纸/60mmx25mm/通用	1			
20-6	Y31330301		数字贴/31款01号31数字贴513款	1			

零部件总计金额 USD: **\$0.00**

**SPEEDOMETER. SECTION 21**

REF.No.	PART No.	DESCRIPTION	名称	QTY Per Unit	Order Qty	Unit Price	Total
21-1				0		\$0.00	\$0.00
21-2				0		\$0.00	\$0.00
21-3			N/A	0		\$0.00	\$0.00
21-4				0		\$0.00	\$0.00
21-5				0		\$0.00	\$0.00
21-6				0		\$0.00	\$0.00

零部件总计金额 USD: **\$0.00**

**FRONT LIGHT. SECTION 22**

REF.No.	PART No.	DESCRIPTION	名称	QTY Per Unit	Order Qty	Unit Price	Total
22-1				0		\$0.00	\$0.00
22-2				0		\$0.00	\$0.00
22-3			N/A	0		\$0.00	\$0.00
22-4				0		\$0.00	\$0.00
22-5				0		\$0.00	\$0.00

零部件总计金额 USD: **\$0.00**

**REAR LIGHTS. SECTION 23**

REF.No.	PART No.	DESCRIPTION	名称	QTY Per Unit	Order Qty	Unit Price	Total
23-1				0		\$0.00	\$0.00
23-2				0		\$0.00	\$0.00
23-3			N/A	0		\$0.00	\$0.00
23-4				0		\$0.00	\$0.00
23-5				0		\$0.00	\$0.00
23-6				0		\$0.00	\$0.00

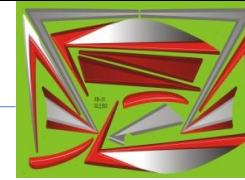
零部件总计金额 USD: **\$0.00**

**OTHERS. SECTION 24**

REF.No.	PART No.	DESCRIPTION	名称	QTY Per Unit	Order Qty	Unit Price	Total
24-1				0		\$0.00	\$0.00
24-2				0		\$0.00	\$0.00
24-3				0		\$0.00	\$0.00
24-4			N/A	0		\$0.00	\$0.00
24-5				0		\$0.00	\$0.00
24-6				0		\$0.00	\$0.00
24-7				0		\$0.00	\$0.00
24-8				0		\$0.00	\$0.00

零部件总计金额 USD: **\$0.00**

总计金额 GRAND TOTAL USD: **\$ -**



All information in this parts catalog shall not be in any way copied or reproduced without the written consent from XGroup Corporation.

PRICES SUBJECT TO CHANGE WITHOUT PRIOR NOTICE

Copyright © 2009-2014 XGROUP CORPORATION (XMOTOS)

REV. 2013/12-6-10
