
ENGINE PARTS CATALOGUE

ENGINE MODEL: HS162FMJ

ENGINE NAME: CG150 (KICK START)



150 VIPER DIRT BIKE ENGINE

目 录 CONTENTS

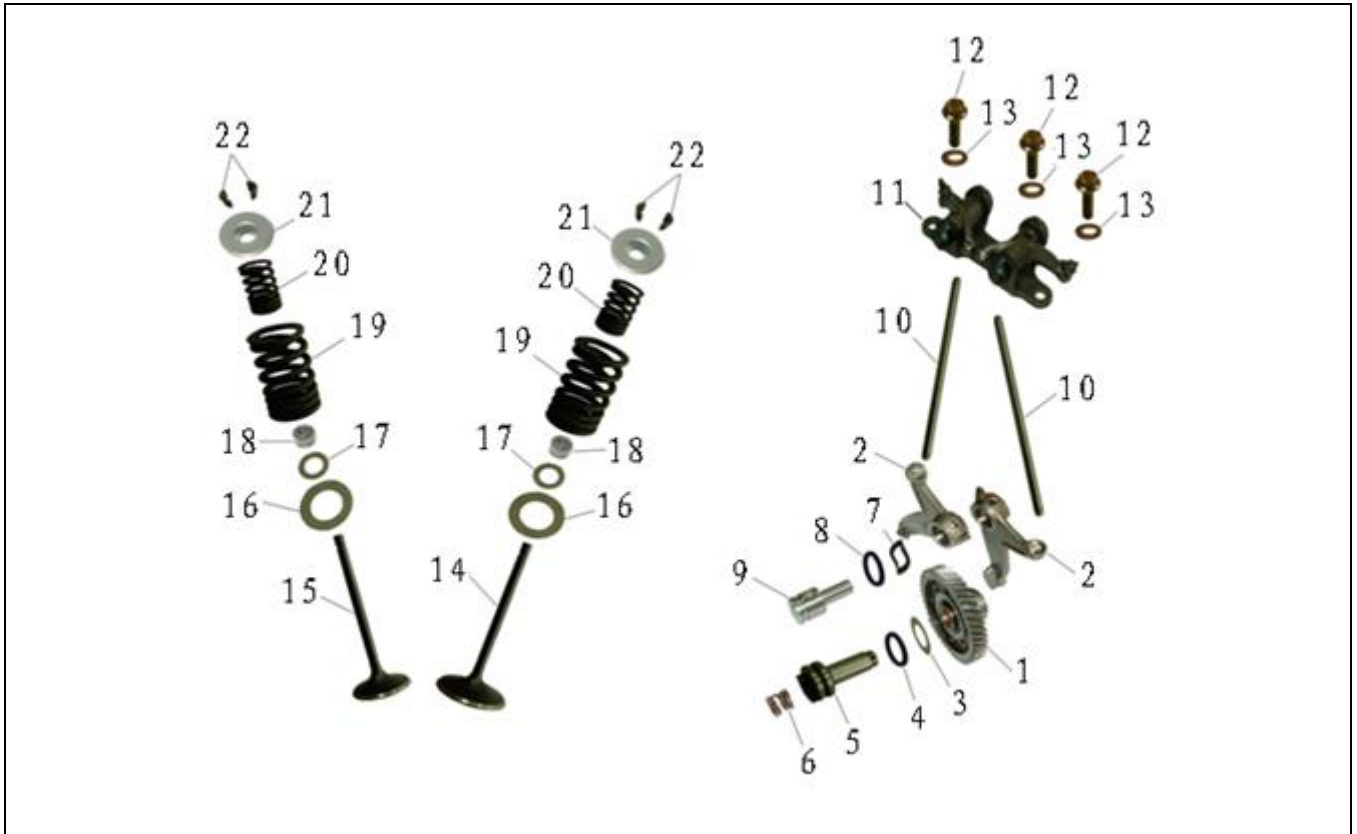
一. 汽缸头、汽缸体.....	1
CYLINDER HEAD\ CYLINDER BODY.....	1
二. 配气机构.....	2
AIR INLET EXHAUST SYSTEM.....	2
三. 磁电机、左曲轴箱盖	3
MAGNETO、 Left Crankshaft Cover.....	3
四. 离合器、右曲轴箱盖.....	4-5
CLUTCH\ CRANKSHAFT COVER,RIGHT.....	4-5
五. 左右曲轴箱、变速机构、曲轴、活塞.....	6-8
CRANKSHAFT,LEFT\RIGHT、 CRANKSHAFT、 PISTON.....	6-8

一. 气缸头、气缸体 (CYLINDER HEAD、CYLINDER BODY)



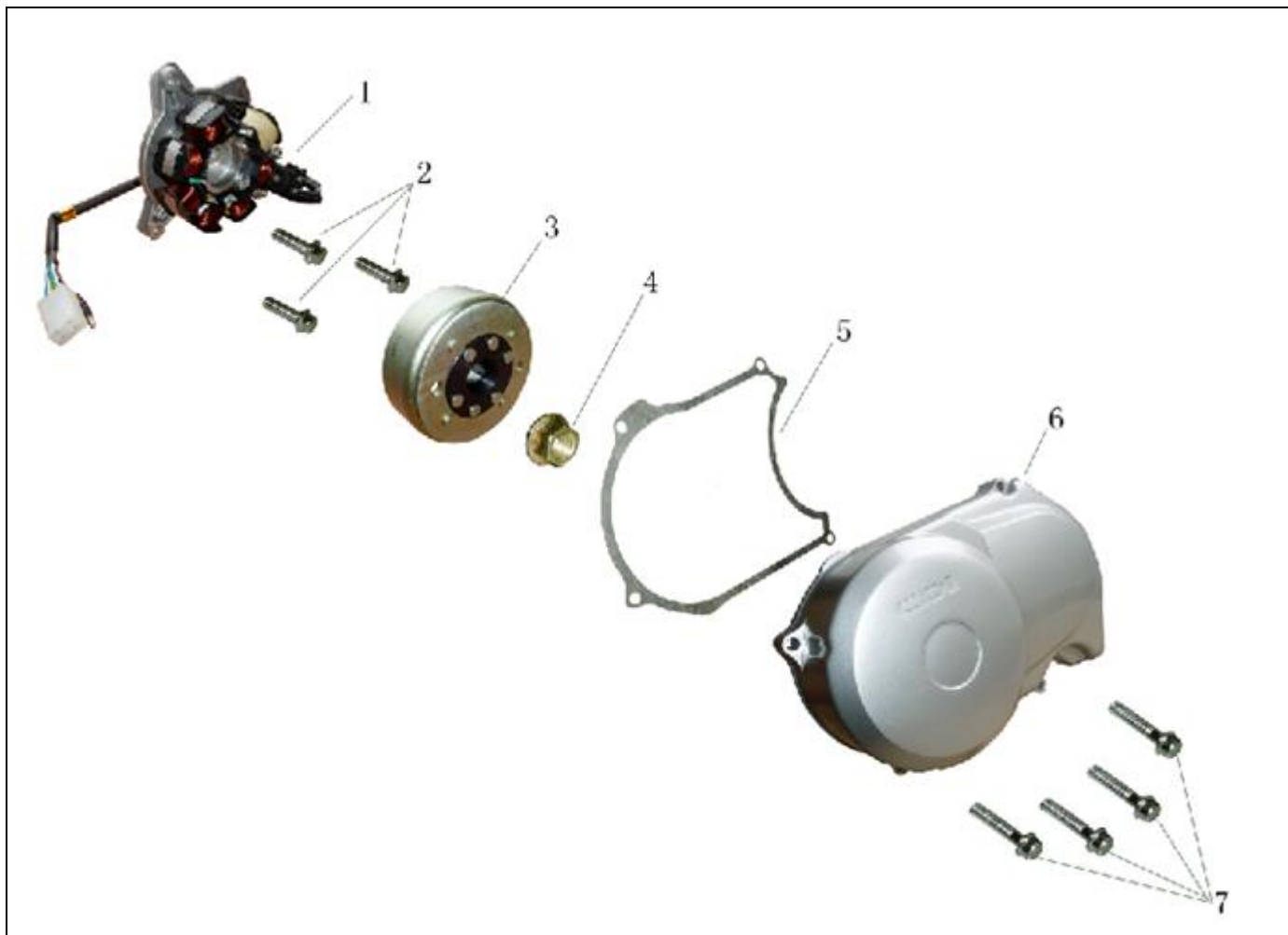
序号 Ref No	编号 Part No	中文名称 Chinese Description	英文名称 English Description	数量 Qty	备注 Remark
1	FK100-015000-0000	气缸体	Cylinder body	1	
2	Q/HSQ 5789-2003	带盘螺栓 M6×22	Bolt M6×22	2	
3	FJ100-000001-1014	定位销 φ 10×14	Ring φ10×14	2	
4	FK100-010014-0000	缸体密封垫	Gasket, cylinder body	1	
5	FJ100-000001-1020	定位销 φ 10×20	Ring φ10×20	3	
6	Q/HSQ 7757-2003	O 型圈 φ 10×1.6	O-ring φ10×1.6	1	
7	FJ100-010050-0000	缸头密封垫	Gasket, cylinder head	1	
8	FJ100-000002-0002	铜垫 φ 8×17×2	Copper backing φ8×17×2	1	
9	Q/HSQ 5787-2003	带盘螺栓 M8×78	Bolt M8×78	1	
10	FK100-011100-0000	气缸头组合	Cylinder head assy	1	
11	Q/HSQ 7757-2003	O 型圈 φ 33.5×3	O-ring φ33.5×3	1	
12	FJ100-010030-0000	进气管	Guide, in valve	1	
13	GB/T 5783-2000	六角螺栓 M6×20	Bolt M6×20	2	
14	FJ100-011012-0000	排气管双头螺栓 M6×35	Stud M6×35	2	
15	FJ100-010002-0000	缸头盖密封垫	Gasket, cylinder head cover	1	
16	FJ100-010101-0000	缸头盖	Cylinder head cover	1	
17	Q/HSQ 5789-2003	带盘螺栓 M6×28	Bolt M6×28	3	
18	FJ100-000002-0002	铜垫 φ 6×13×1.5	Copper backing φ6×13×1.5	1	
19	Q/HSQ 5787-2003	带盘螺栓 M6×12	Bolt M6×12	1	
20	FJ100-010001-0000	火花塞 D8RTC	Spark plug D8RTC	1	

二. 配气机构



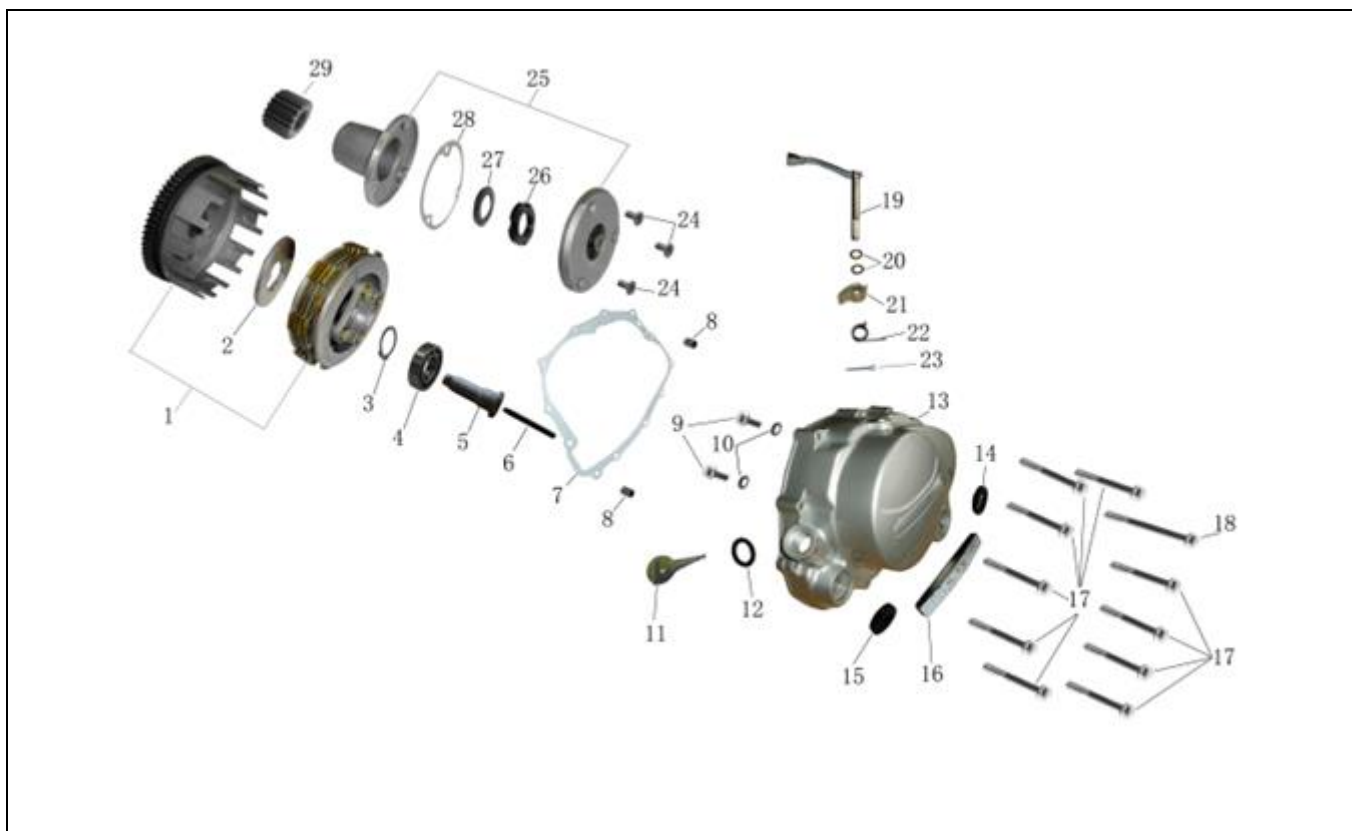
序号 RefNo	编号 Part No	中文名称 Chinese Description	英文名称 English Description	数量 Qty	备注 Remark
1	FJ100-012000-0000	配气凸轮部件	Camshaft comp	1	
2	FJ100-010021-0000	下摇臂	Lower rocker	2	
3	FJ100-010025-0000	凸轮芯轴垫圈	Washer	1	
4	Q/HSQ 7757-2003	O 型圈 $\phi 20 \times 2.5$	O-ring $\phi 20 \times 2.5$	1	
5	FJ100-010024-0000	凸轮芯轴	Camshaft spindle	1	
6	FJ100-030036-0000	压簧	Pressing spring	1	
7	FJ100-010023-0000	波形垫圈	Washer	1	
8	Q/HSQ 7757-2003	O 型圈 $\phi 17 \times 2.5$	O-ring $\phi 17 \times 2.5$	1	
9	FJ100-010022-0000	下摇臂轴	Shaft, lower rocker	1	
10	FJ100-010010-0000	推杆	Push lever	2	
11	FJ100-013000-0000	上摇臂	Valve rocker	1	
12	Q/HSQ 5789-2003	带盘螺栓 M8×32	Stud M8×32	3	
13	FJ100-000002-0002	铜垫 $\phi 8 \times 17 \times 2$	Copper backing $\phi 8 \times 17 \times 2$	3	
14	FK100-011001-0000	进气门	Inlet valve	1	
15	FK100-011002-0000	排气门	Outlet valve	1	
16	FJ100-011009-0000	气门外弹簧座圈	Spring seat valve, inner	2	
17	FJ100-011008-0000	气门内弹簧座圈	Spring seat valve, outer	2	
18	FJ100-011106-0000	档油罩	Seal valve	2	
19	FJ100-011007-0000	气门外弹簧	Outer spring	2	
20	FJ100-011006-0000	气门内弹簧	Inner spring	2	
21	FJ100-011004-0000	气门弹簧座	Spring seat, valve	2	
22	FJ100-011003-0000	气门锁夹	Lock plate	4	

三. 磁电机、左曲轴箱盖



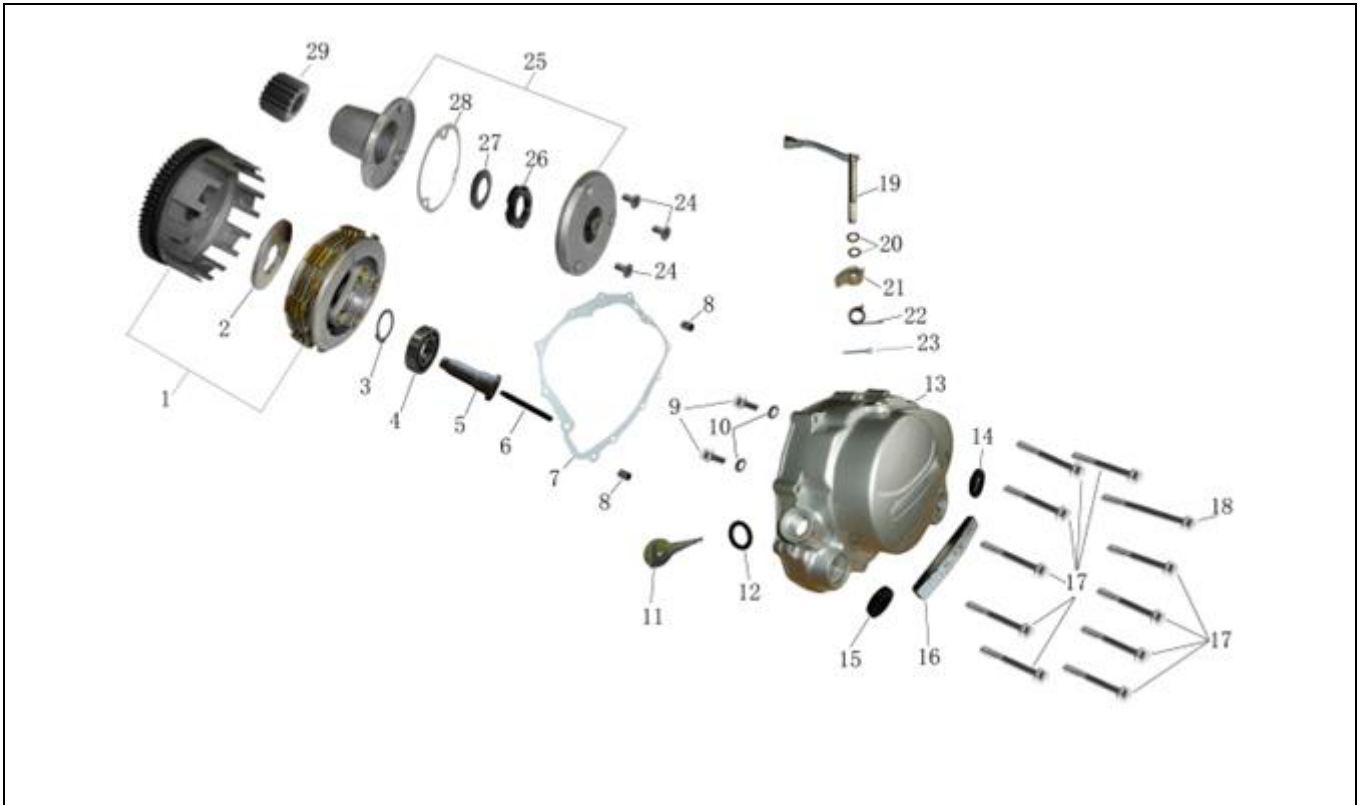
序号 RefNO	编号 Part No	零部件名称 Chinese Description	英文名称 English Description	数量 Qty	备注 Remark
1	FJ1A0-071100-0000	定子组合	Base assy	1	With O-ring 45×2.5
2	Q/HSQ 5787-2003	带盘螺栓 M6×20	Bolt M6×20	3	
3	FJ1A0-071001-0000	飞轮	Flywheel	1	
4	GB/T6177-2000	带盘六角螺母 M12×1.25	Nut M12×1.25	1	
5	FJ1A0-030048-0000	左曲轴箱盖垫	Washer, left crankshaft cover	1	
6	FJ1A0-030049-0000	左曲轴箱盖	Cover, left crankshaft	1	
7	Q/HSQ 5787-2003	带盘螺栓 M6×32	Bolt M6×32	4	

四. 离合器、右曲轴箱盖



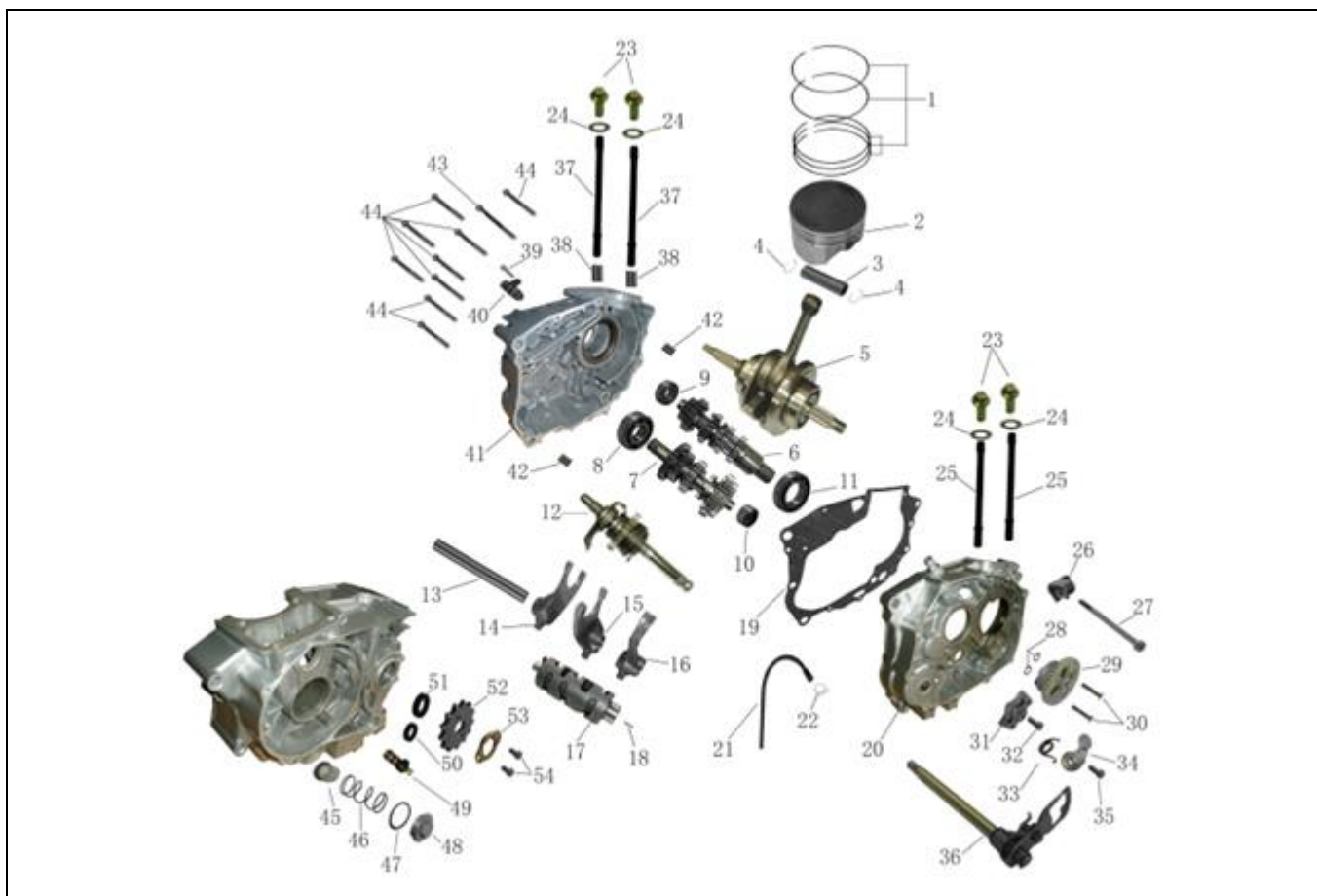
序号 RefNO	编号 Part No	零部件名称 Chinese Description	英文名称 English Description	数量 Qty	备注 Remark
1	FJ1A0-052000-0000	主离合器部件	Main clutch comp	1	
2	FJ100-052007-0000	花键垫圈	Ring	1	离合器自带
3	FJ100-041012-0000	主轴挡圈	Retainer ring	1	离合器自带
4	GB/T 276-1994	轴承 16003	Bearing	1	离合器自带
5	FJ1A0-052012-0000	分离轴套	Bush	1	离合器自带
6	FJ1A0-052013-0000	分离杆	Clutch lever	1	离合器自带
7	FJ1A0-030047-0000	右曲轴箱盖垫	Washer, right crankcase cover	1	
8	FF100-000001-0812	定位销 $\phi 8 \times 12$	$\phi 8 \times 12$	2	
9	Q/HSQ 5789-2003	带盘螺栓 M6 \times 14	M6 \times 14	2	
10	FJ100-034004-0000	复合垫 $\phi 6.5 \times 13 \times 2$	$\phi 6.5 \times 13 \times 2$	2	
11	FJ100-034005-0000	机油尺, 131 长	oil level gauge	1	
12	Q/HSQ 7757-2003	O 型圈 $\phi 18 \times 3$	O-ring $\phi 18 \times 3$	1	
13	FJ1A0-034100-0000	右曲轴箱盖组合	Right crankcase cover assy	1	
14	FF100-034109-0000	机油视孔窗	Oylet window,oil	1	
15	Q/HSQ 546-2007	起动机轴油封 16 \times 28 \times 7	Seal, start shaft 16 \times 28 \times 7	1	
16	FJ100-034003-0000	右字头盖	Head cover, right	1	
17	Q/HSQ 5787-2003	带盘螺栓 M6 \times 40	Bolt M6 \times 40	10	
18	Q/HSQ 5787-2003	带盘螺栓 M6 \times 50	Bolt M6 \times 50	1	
19	FJ1A0-034104-0000	离合器分离杆组合	Clutch lever assy	1	
20	Q/HSQ 7757-2003	O 型圈 6.5 \times 1.9	O-ring 6.5 \times 1.9	2	
21	FJ1A0-034009-0000	升降凸轮	Cam	1	

四. 离合器、右曲轴箱盖



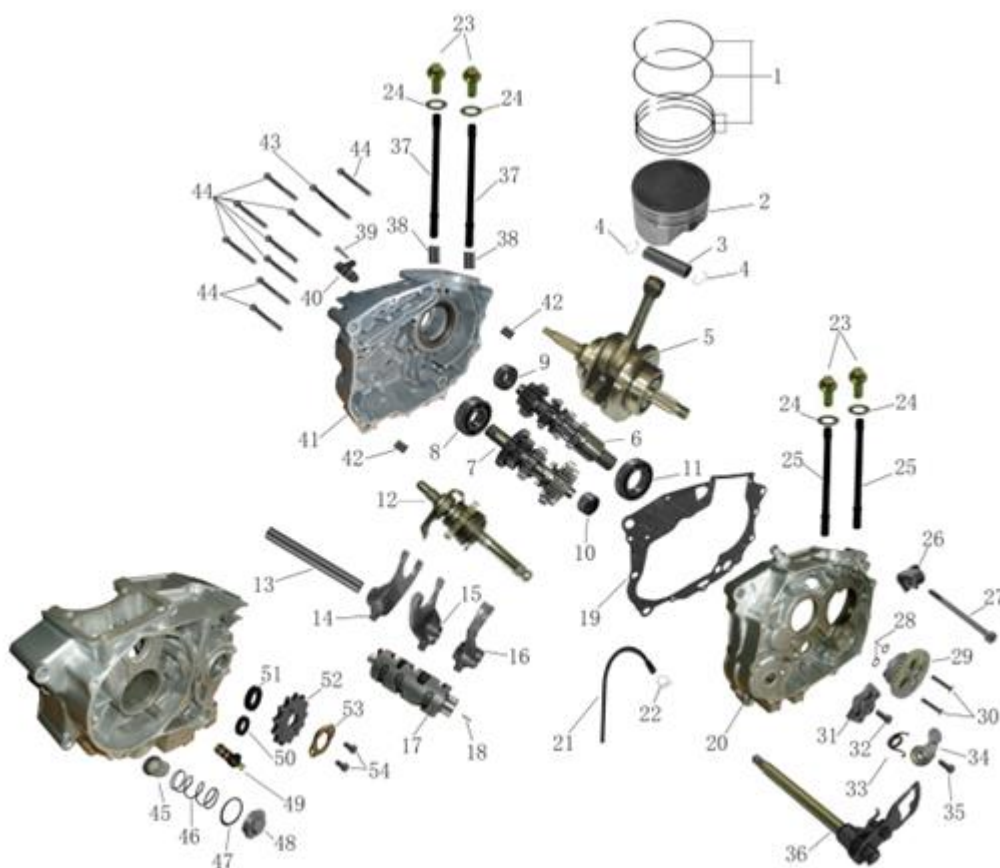
序号 RefNO	编号 Part No	零部件名称 Chinese Description	英文名称 English Description	数量 Qty	备注 Remark
22	FJ1A0-034010-0000	回位弹簧	Spring	1	
23	GB/T91-2000	开口销 1.6×20	split pin 1.6×20	1	
24	GB/T820-2000	十字半沉头螺钉 M5×10	Screw M5×10	3	滤清器自带
25	FJ100-020100-0000	滤清器组合	Filter comp	1	
26	FJ100-020107-0000	圆螺母 M16×1	Nut M16×1	1	滤清器自带
27	FJ100-020108-0000	碟形垫圈	Washer	1	滤清器自带
28	FJ100-020102-0000	密封垫	Gasket	1	滤清器自带
29	FJ100-022201-0000	主动齿	Driving gear tooth	1	

五. 左右曲轴箱、变速机构、曲轴、活塞



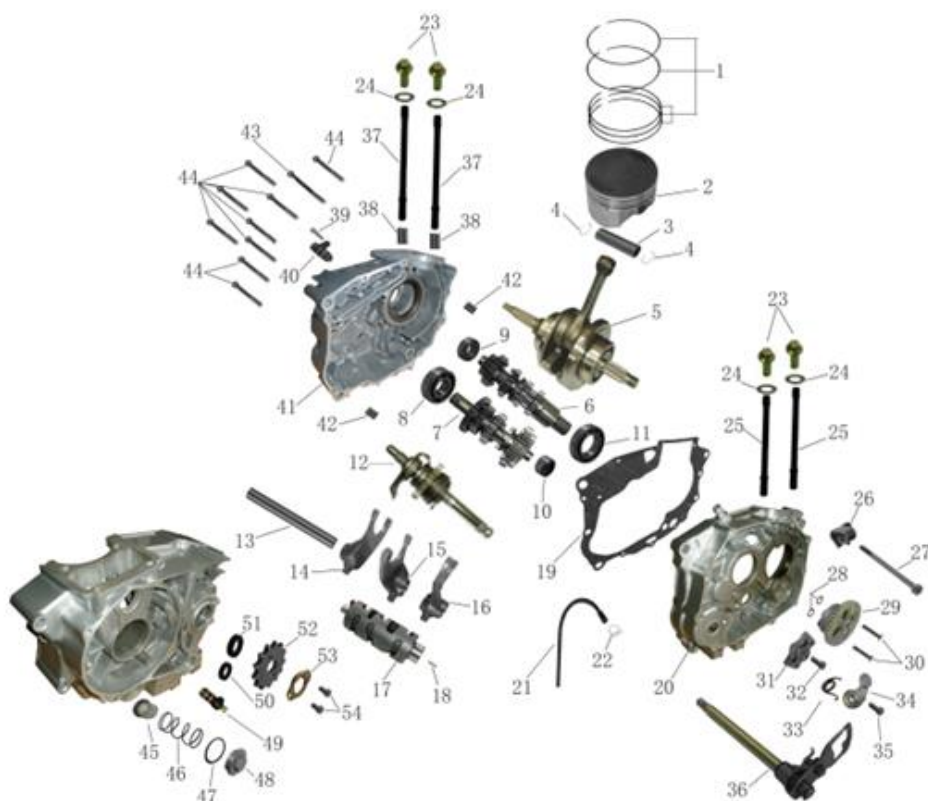
序号 Ref NO	编号 Part No	零部件名称 Chinese Description	英文名称 English Description	数量 Qty	备注 Remark
1	FK100-021002-0000	活塞环 (1)	Piston ring 1	1	
	FK100-021003-0000	活塞环 (2)	Piston ring 2	1	
	FK100-021010-0000	油环组合	Oil ring comp	1	
2	FK100-021001-0000	活塞	Piston	1	
3	FK100-020003-0000	活塞销	Piston pin	1	
4	FJ100-020001-0000	活塞销挡圈	Ring, piston pin	2	
5	FJ1A0-022000-0000	曲轴连杆部件	Crankshaft connecting rod comp	1	
6	FJ100-041000-0000	主轴组合	Main shaft comp	1	
7	FJ100-042000-0000	副轴组合	Counter shaft comp	1	
8	GB/T276-1994	轴承 6204/P6	Bearing 6204/P6	1	
9	GB/T276-1994	轴承 6202-Z	Bearing 6204-Z	1	
10	GB/T290	滚针 NK15/23/12	roller needleNK15/23/12	1	
11	GB/T276-1994	轴承 6006/P6	Bearing 6006/P6	1	
12	FJ100-061000-0000	起动轴部件	Start shaft comp	1	
13	FJ100-043005-0000	拨叉轴 A	Shaft A	1	
14	FJ100-043002-0000	拨叉 I	Shift fork I	1	
15	FJ100-043003-0000	拨叉 II	Shift fork II	1	
16	FJ100-043004-0000	拨叉 III	Shift fork III	1	

五. 左右曲轴箱、变速机构、曲轴、活塞



序号 RefNO	编号 Part No	零部件名称 Chinese Description	英文名称 English Description	数量 Qty	备注 Remark
17	FJ1A0-043001-0000	变速鼓	Gearshift drum	1	
18	FJ100-043008-0000	销轴 A	Pin axle A	1	
19	FJ1A0-030001-0000	曲轴箱密封垫	Gasket	1	
20	FJ1A0-031100-0000	右曲轴箱组合	Right crankcase assembly	1	
21	FJ1A0-030015-0000	通气管	Pipe	1	
22	FJ100-030016-0000	通气管卡箍	Clamp	1	
23	FJ100-010027-0000	缸头螺母	Nut	4	
24	FJ100-010029-0000	缸头螺母垫圈 $\phi 12 \times 20 \times 2$	Washer $\phi 12 \times 20 \times 2$	4	
25	FJ1A0-030004-0000	汽缸螺栓 B M8 \times 122	Bolt B M8 \times 122	2	
26	FJ100-030044-0000	离合器拉索支架	Stand, clutch cable	1	
27	GB/T 29.2-2000	十字六角螺栓 M6 \times 55	Bolt M6 \times 55	1	
28	Q/HSQ 7757-2003	O 型圈 $\phi 9 \times 2.4$	O-ring $\phi 9 \times 2.4$	2	机油泵总成自带
29	FJ100-033000-0000	机油泵部件	Oil pump assembly	1	
30	GB/T 819-2000	十字沉头螺栓 M6 \times 30	Bolt M6 \times 30	2	
31	FJ1A0-043007-0000	五星轮	pulley	1	
32	GB/T 5783-2000	六角螺栓 M6 \times 25	Bolt M6 \times 25	1	
33	FJ1A0-040002-0000	定位板弹簧	Spring, locking plate	1	
34	FJ1A0-040300-0000	定位板组合	Assembly, locking plate	1	
35	GB/T 5783-2000	六角螺栓 M6 \times 20	Bolt M6 \times 20	1	

五. 左右曲轴箱、变速机构、曲轴、活塞



序号 RefNO	编号 Part No	零部件名称 Chinese Description	英文名称 English Description	数量 Qty	备注 Remark
36	FJ1A0-044000-0000	变档轴部件	Shaft, gearshift	1	
37	FJ100-030003-0000	汽缸螺栓 A M8×130	Bolt M8×130	2	
38	FJ100-000001-1014	定位销 φ10×14	Pin φ10×14	2	
39	GB/T 5783-2000	六角螺栓 M6×25	Bolt M6×25	1	
40	FJ100-032100-0000	压销体组合	Pressing pin comp	1	With O-ring 13 × 2.5
41	FJ1A0-032002-0000	左曲轴箱部件	Left crankcase assembly	1	
42	FJ100-000001-1014	定位销 φ10×14	Knocking pin φ10×14	2	
43	Q/HSQ 5787-2003	带盘螺栓 M6×95	Bolt M6×95	1	
44	Q/HSQ 5787-2003	带盘螺栓 M6×50	Bolt M6×50	9	
45	FJ100-030010-0000	机油滤网组合	Oil filter comp	1	
46	FJ100-030019-0000	机油滤网弹簧	Spring, oil filter element	1	
47	Q/HSQ 7757-2003	O型圈 φ35×3	O-ring φ35×3	1	
48	FJ100-030043-0000	机油滤网盖	Cover, oil filter	1	
49	FJ1A0-032200-0000	空挡开关组合	Switch comp		With double O-rings 6.5×2
50	Q/HSQ 546-2007	换档轴油封 14×28×7	Oil seal 14×28×7	1	
51	Q/HSQ 546-2007	副轴油封 20×34×7	Oil seal 20×34×7	1	
52	FJ100-040004-0000	主动链轮	Driving sprocket	1	
53	FJ100-040005-0000	链轮压板	Pressing protector, sprocket	1	
54	GB/T 5783-2000	六角螺栓 M6×10	Bolt M6×10	2	