

AMIGO MOTORSPORTS INC

F11 / F35 / ZN150T-7G / ZN150T-7H,
RX-150 & VISTA 150

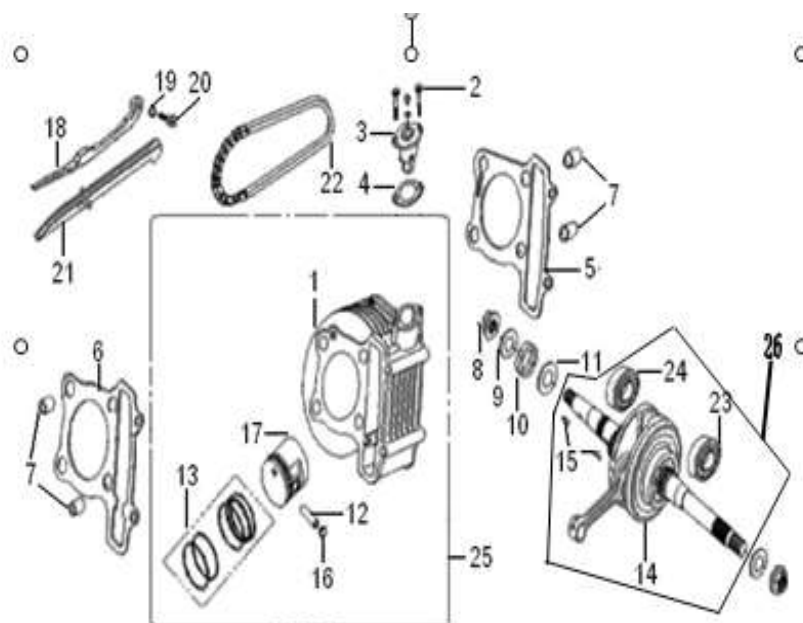
150CC LONG CASE ENGINE F01



150CC LONG CASE ENGINE F01

PART #	DESCRIPTION	QTY	
LC-150-F01-1	GY6150 long axis lengthening pipe box engine air supply device	1	
LC-150-F01-2	Combination of one valve assembly	1	

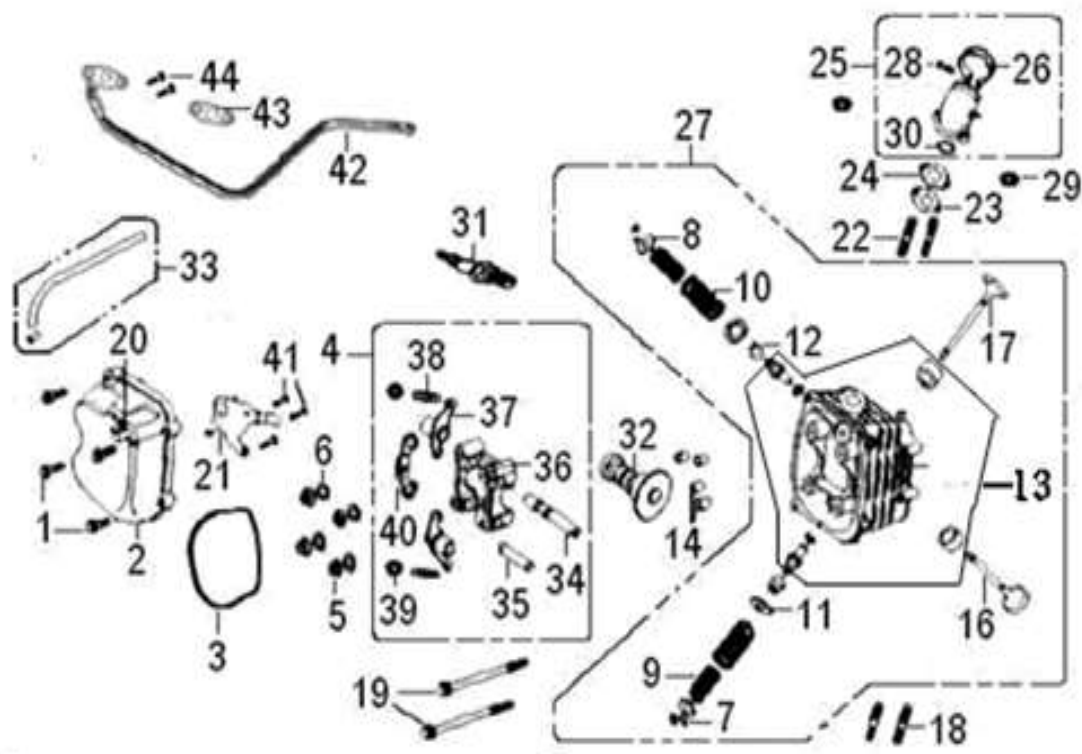
150CC LONG CASE ENGINE F02



150CC LONG CASE ENGINE F02

PART #	DESCRIPTION	QTY
LC-150-F02-1	Cylinder	1
LC-150-F02-2	Bolt M6×22	2
LC-150-F02-3	Chain adjuster assy	1
LC-150-F02-4	Gasket chain adjuster	1
LC-150-F02-5	Cylinder pad of paper	1
LC-150-F02-6	Gasket cylinder head	1
LC-150-F02-7	Pin dowel 10×16	4
LC-150-F02-8	Nut M12x1.25 (11)	2
LC-150-F02-9	Washer (12x24x2)	2
LC-150-F02-10	Lock nut, crankshaft (M22x1x6)	1
LC-150-F02-11	Washer (22x39x2)	1
LC-150-F02-12	Piston pin	1
LC-150-F02-13	Piston ring .comp	1
LC-150-F02-14	Crank and connecting rod assembly	1
LC-150-F02-15	Woodruff key	2
LC-150-F02-16	Clip piston pin	2
LC-150-F02-17	Piston	1
LC-150-F02-18	Tension rod chain	1
LC-150-F02-19	O-ring 15.2×1.5	1
LC-150-F02-20	Cam chain screw	1
LC-150-F02-21	Guide comp chain	1
LC-150-F02-22	Timing chain	1
LC-150-F02-23	Crankshaft bearing sco 4A86	1
LC-150-F02-24	Crankshaft bearing sco 4A86	1
LC-150-F02-25	Cylinder, piston, piston rings, circlip, piston pin group	1
LC-150-F02-26	Crankshaft connecting-rod assy	1

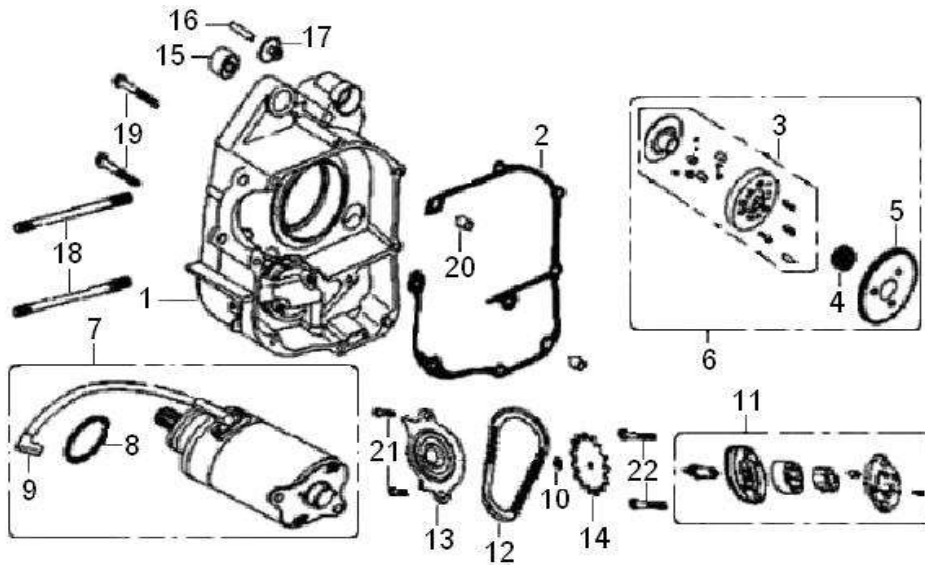
150CC LONG CASE ENGINE F03



PART #	DESCRIPTION	QTY
LC-150-F03-1	Bolt M6×25	3
LC-150-F03-2	Cylinder head cover	1
LC-150-F03-3	Gasket head cover	1
LC-150-F03-4	Rocker bracket assembly	1
LC-150-F03-5	Nut M8	4
LC-150-F03-6	Washer φ8xφ19x2	4
LC-150-F03-7	Valve cone half	4
LC-150-F03-8	Retainer valve spring	2
LC-150-F03-9	Spring, valve inner	2
LC-150-F03-10	Spring, valve outer	2
LC-150-F03-11	Valve spring washer	2
LC-150-F03-12	Valve seals	2
LC-150-F03-13	Cylinder head	1
LC-150-F03-14	Bowel pin 8x14	4
LC-150-F03-15	Valve intake	1
LC-150-F03-16	Exhaust valve	1
LC-150-F03-17	Double end studs M6×32	2
LC-150-F03-18	Bolt M6×100	2
LC-150-F03-20	Tube breather	1
LC-150-F03-21	Pressure plate breather	1
LC-150-F03-22	Double end studs M6×63	2
LC-150-F03-23	Gasket carburetor insulator	1

LC-150-F03-24	Insulator carburetor	1	
LC-150-F03-25	Inlet pipe	1	
LC-150-F03-26	Clip tube assy	1	
LC-150-F03-27	Cylinder head assy	1	
LC-150-F03-28	Screw, inlet pipe lock	2	
LC-150-F03-29	Nut M6	2	
LC-150-F03-30	O ring 27×2.0	1	
LC-150-F03-31	Spark plugs (NGK with R)	1	
LC-150-F03-32	Camshaft group	1	
LC-150-F03-33	Air tube	1	
LC-150-F03-34	Intake valve rocker shaft	1	
LC-150-F03-35	Exhaust valve rocker shaft	1	
LC-150-F03-36	Holder camshaft	1	
LC-150-F03-37	Rocker arm inner	2	
LC-150-F03-38	Screw tappet adjusting	2	
LC-150-F03-39	Nut tappet adjusting	2	
LC-150-F03-40	Stoper plate	1	
LC-150-F03-41	Screw st4×8-c-h	3	
LC-150-F03-42	Qi elbow extension	1	
LC-150-F03-43	Aerate syphon airpfoof gasket	1	
LC-150-F03-44	Bolt M6x18	2	

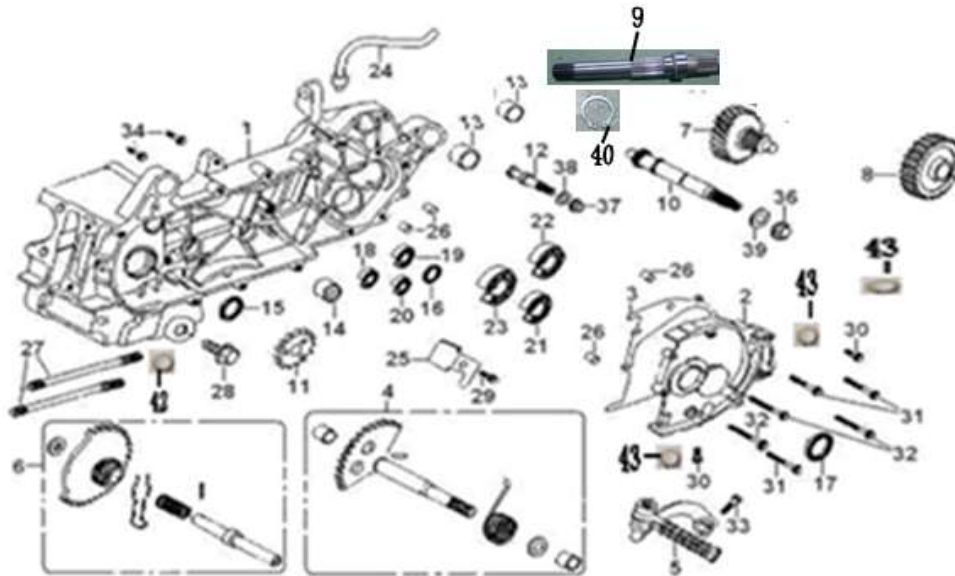
150CC LONG CASE ENGINE F04



150CC LONG CASE ENGINE F04

PART #	DESCRIPTION	QTY
LC-150-F04-1	Crank case comp right	1
LC-150-F04-2	Gasket crankcase	1
LC-150-F04-3	Clutch assy, start	1
LC-150-F04-4	Bearing needle	1
LC-150-F04-5	Gear clutch assy	1
LC-150-F04-6	Clutch assy	1
LC-150-F04-7	Starting motor assy	1
LC-150-F04-8	O-ring	1
LC-150-F04-9	Cable starting motor	1
LC-150-F04-10	Nut M6	1
LC-150-F04-11	Pump assy oil	1
LC-150-F04-12	Sprocket drive	1
LC-150-F04-13	Separator oil	1
LC-150-F04-14	Sprocket drive	1
LC-150-F04-15	Bush engine hanger	1
LC-150-F04-16	Shaft starter reduction gear	1
LC-150-F04-17	Gear starter reduction	1
LC-150-F04-18	Double end studs M8x187.5	2
LC-150-F04-19	Bolt M6x50	2
LC-150-F04-20	Bowel pin 8x14	2
LC-150-F04-21	Bolt M6x12	2
LC-150-F04-22	Bolt M6x25	2

150CC LONG CASE ENGINE F05

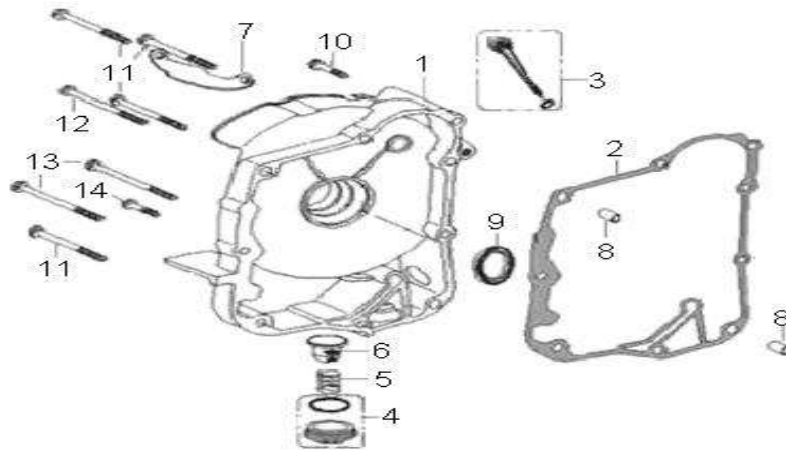


150CC LONG CASE ENGINE F05

PART #	DESCRIPTION	QTY	
LC-150-F05-1	Left crank case (extended)	1	
LC-150-F05-2	Gear box case	1	
LC-150-F05-3	Paper cushion gear	1	
LC-150-F05-4	Kick start spindle assy	1	
LC-150-F05-5	Kick start pedal	1	
LC-150-F05-6	Starting idle gear assy	1	
LC-150-F05-7	Mid gear	1	
LC-150-F05-8	Final gear	1	
LC-150-F05-9	Output shaft (axis)	1	
LC-150-F05-10	Input shaft	1	
LC-150-F05-11	Gear kick driven	1	
LC-150-F05-12	Pin brake shoe anchor	1	
LC-150-F05-13	Shock absorber tube	2	
LC-150-F05-14	Bush enging hanger	1	
LC-150-F05-15	Left oil seal19.8×30×5	1	
LC-150-F05-16	Oil seal 27×42×7	1	
LC-150-F05-17	Oil seal20×32×6	1	
LC-150-F05-18	Bearing radial all 6301	1	
LC-150-F05-19	Bearing radial ball6004	1	
LC-150-F05-20	Bearing radial ball 6002	1	
LC-150-F05-21	Bearing radial ball 6202	1	
LC-150-F05-22	Bearing radial ball6203	1	
LC-150-F05-23	Bearing radial ball 6204	1	
LC-150-F05-24	Tube breather assy	1	
LC-150-F05-25	Plate kick return stopper	1	
LC-150-F05-26	Bowel pin 8x14	2	
LC-150-F05-27	Double end studs M8x196.5	2	
LC-150-F05-28	Oil plug	1	

LC-150-F05-29	Bolt M6×12	1	
LC-150-F05-30	Bolt M8×12	2	
LC-150-F05-31	Bolt M6×28	4	
LC-150-F05-32	Bolt M6×35	1	
LC-150-F05-33	Bolt M6×25	1	
LC-150-F05-34	Bolt M6×12	2	
LC-150-F05-35	Nut M12×1.25(9)	1	
LC-150-F05-36	Nut M8	1	
LC-150-F05-37	O-ring 7.5x1.5	1	
LC-150-F05-38	Washer (12x29x2)	2	
LC-150-F05-39	Output shaft snap ring	1	
LC-150-F05-42	Oil drain plug gasket (ø12 * 20 * 1.5)	1	
LC-150-F05-43	Gasket φ8 * φ16 * 1.5	2	

150CC LONG CASE ENGINE F06



150CC LONG CASE ENGINE F06

PART #	DESCRIPTION	QTY	
LC-150-F06-1	Right crankcase cover	1	
LC-150-F06-2	Right crankcase cover paper pad	1	
LC-150-F06-3	Fuel guage assy,	1	
LC-150-F06-4	O-ring and oil network cover	1	
LC-150-F06-5	Oil filter spring	1	
LC-150-F06-6	Oil network	1	
LC-150-F06-7	Clamper magneto	1	
LC-150-F06-8	Bowel pin 8x14	2	
LC-150-F06-9	Right oil seal19.8×30×5	1	
LC-150-F06-10	Bolt M6×40	1	
LC-150-F06-11	Bolt M6×95	4	
LC-150-F06-12	Bolt M6×100	1	
LC-150-F06-13	Bolt M6×110	2	
LC-150-F06-14	Bolt M6×28	1	

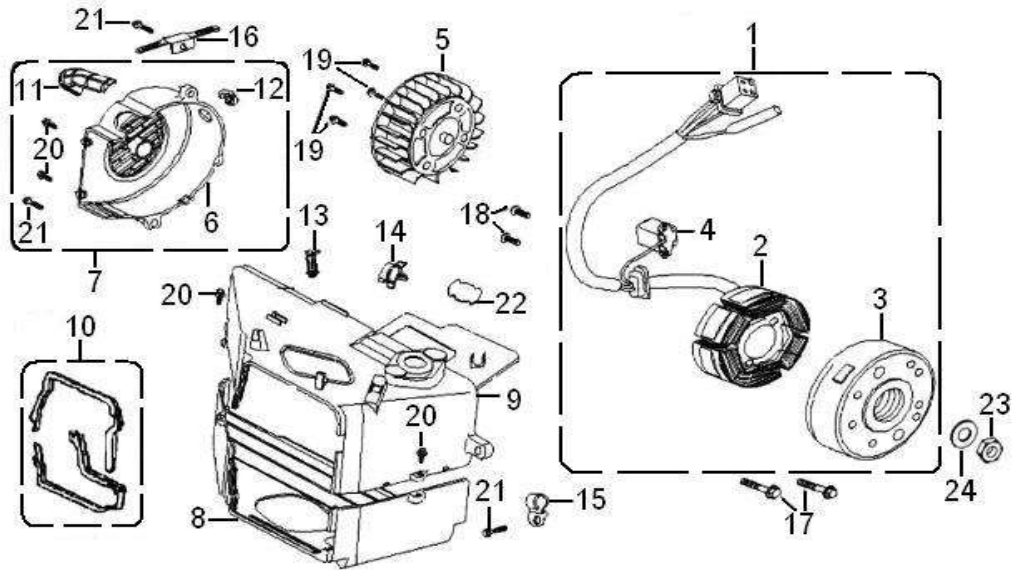
150CC LONG CASE ENGINE F07



150CC LONG CASE ENGINE F07

PART #	DESCRIPTION	QTY	
LC-150-F07- 1	Smoky cover the left circle qi (extended)	1	
LC-150-F07- 2	Gasket r crankcase cover	1	
LC-150-F07- 3	Platel cover	1	
LC-150-F07- 4	Bolt M6×40	7	
LC-150-F07- 5	Bolt M6×12	1	
LC-150-F07- 6	Plate	1	
LC-150-F07- 7	Clamper brake cable	1	
LC-150-F07- 8	Screw st4×8-c-h	4	
LC-150-F07- 9	Bolt M6×65	1	
LC-150-F07- 10	Throttle clamp	1	
LC-150-F07- 11	Bolt M6×65	1	
LC-150-F07- 12	Bolt M6×45	1	

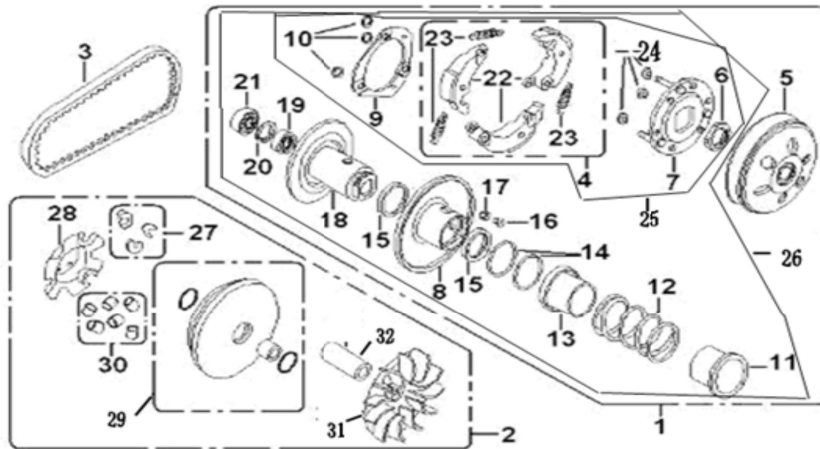
150CC LONG CASE ENGINE F08



150CC LONG CASE ENGINE F08

PART #	DESCRIPTION	QTY
LC-150-F08-1	Magnetic motor assembly (12 pole)	1
LC-150-F08-2	Magneto Coil	1
LC-150-F08-3	Magneto flywheel	1
LC-150-F08-4	Magneto Trigger	1
LC-150-F08-5	Wind wheel	1
LC-150-F08-6	Bust shroud	1
LC-150-F08-7	Cooling fan cover assy,	1
LC-150-F08-8	Shroud comp a	1
LC-150-F08-9	Shroud comp b	1
LC-150-F08-10	Seal set, fan protection cover	1
LC-150-F08-11	Aerate pipe	1
LC-150-F08-12	Peephole cover	1
LC-150-F08-13	Clip high tension cord	1
LC-150-F08-14	Clamper breather tube	1
LC-150-F08-15	Clamper overflow tube	1
LC-150-F08-16	Clamper starter cable	1
LC-150-F08-17	Bolt M6×22	2
LC-150-F08-18	Bolt M5×12	2
LC-150-F08-19	Bolt M6x18	4
LC-150-F08-20	Screw tappingst5×16-c-h	4
LC-150-F08-21	Bolt M6×25	3
LC-150-F08-22	Rubber cap, upper protetion fan cover	1
LC-150-F08-23	Nut M12x1.25 (11)	1
LC-150-F08-24	Washer φ12xφ24x2	1

150CC LONG CASE ENGINE F08



PART #	DESCRIPTION	QTY
LC-150-F09-1	Pulley assy driven	1
LC-150-F09-2	Driver wheel groupware	1
LC-150-F09-3	Belt drive (835×30×20)	1
LC-150-F09-4	Clutch brake shoe set	1
LC-150-F09-5	Outer clutch	1
LC-150-F09-6	Nut m28x1	1
LC-150-F09-7	Fixing holder assy, brake shoe	1
LC-150-F09-8	Face comp movable driven	1
LC-150-F09-9	Plate clutch	1
LC-150-F09-10	Circlip (7x9x1)	3
LC-150-F09-11	Upper holder, spring	1
LC-150-F09-12	Spring, driven face	1
LC-150-F09-13	Lower holder, spring	1
LC-150-F09-14	O-ring 39x2	2
LC-150-F09-15	Oil seal 34x41x4	2
LC-150-F09-16	Pin, roller guide	3
LC-150-F09-17	Roller guide	3
LC-150-F09-18	Driven pulley	1
LC-150-F09-19	Bearing 6902	1
LC-150-F09-20	Circlip (9.5x11,5x1)	1
LC-150-F09-21	Needle bearing 20x29x18	1
LC-150-F09-22	Weight set clutch	3
LC-150-F09-23	Spring clutch	3
LC-150-F09-24	Rubber clutch dumper	3
LC-150-F09-25	Plate assy drive	1
LC-150-F09-26	Plate sub assy driven	1
LC-150-F09-27	Ramp Edge Piece Set	1
LC-150-F09-28	Ramp plate	1
LC-150-F09-29	Sliding disk drive peer group	1
LC-150-F09-30	Ball assembly (weight 17g beads)	1
LC-150-F09-31	Drive belt drive fan	1
LC-150-F09-32	Village sets of driving wheel	1