

110-125CC GO KART PARTS CATALOGUE



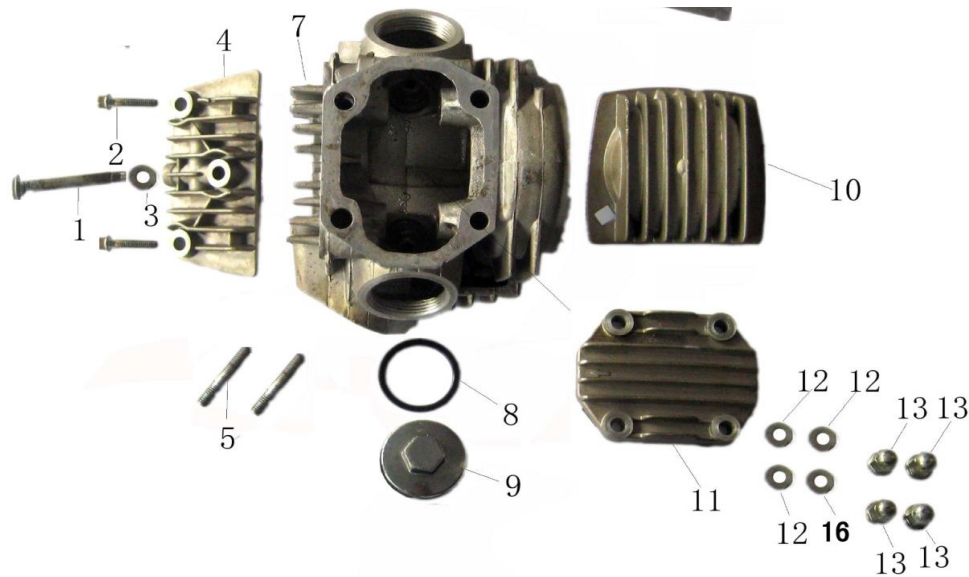
FOREWORD

When you are going to order parts you may take this booklet as reference but any differences please take the reality on vehicle as standard.

To find out the name, Item code or fitment you may check in the illustration with the size and appearance .Then with the no. in the illustration you will find out the name, item code and quantity.

There will no notice to you ahead of any change of the information in this

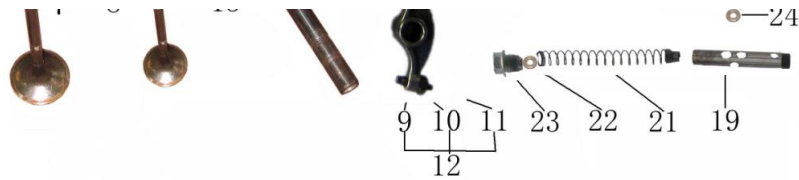
发动机、消声器、化油器 ENGINE MUFFLER CARBURTOR



序	件号	中文名称	英文名称	数量	单价	
NO.	Code name	Chinese	Description	Q'ty	¥	\$
1	231006-0101	左右盖连接螺栓M6×110	BOLT M6×110	1		
2	231006-0102	GB16674小盘螺栓M6×20	BOLT M6×20	2		
3	231006-0103	70铝垫圈6.5×1×12	WASHER 6.5×1×12	1		
4	231006-0104	C100-2#气缸头右盖组合	RIGHT COVER, CYLINDER HEAD	1		
5	231006-0105	缸头排气口双头螺栓M6×32	BOLT M6×32	2		
6	231006-0106	C100火花塞部件(A7TC)	SPARK PLUG	1		
7	231006-0107-2	C120(铝缸)气缸头组合	CYLINDER HEAD ASSY	1		
8	231006-0108	70气门盖O形圈29.6×3.2	O-RING 29.6×3.2	1		
9	231006-0109	70气门室盖(抛丸钝化)	COVER, VALVE CHAMBER	1		
10	231006-0111-2	C120(铝缸)气缸头左盖	LEFT COVER, CYLINDER HEAD	1		
11	231006-0111	C100气缸头上盖(抛丸钝化)	UPPER COVER, CYLINDER HEAD	1		
12	231006-0112	缸头盖铁垫圈7.3×2.5×14	WASHER 7.3×2.5×14	3		
13	231006-0113	C100缸头盖盖形螺母M6(兰白锌)	NUT M6	4		
14	231006-0114	GB5783螺栓M6×25(兰白锌)	BOLT M6×25	4		
15	231006-0115	90D进气管(JQ-4)	INLET PIPE	1		
16	231006-0116	缸头盖铜垫圈7.3×2.5×14	WASHER 7.3×2.5×14	1		
	23006-120	C120(铝缸)气缸头总成	CYLINDER HEAD ASSY	1		

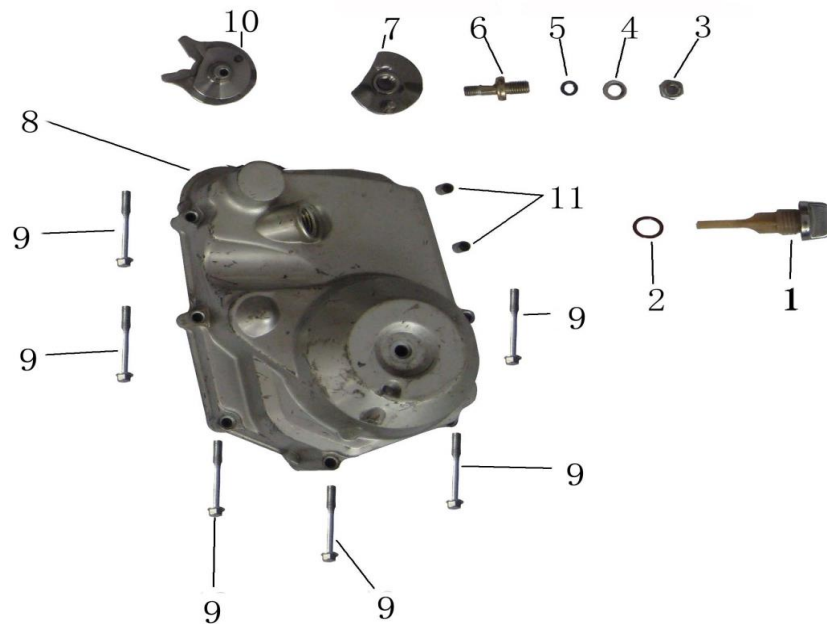
气缸体部件 CYLINDER ASSEMBLY





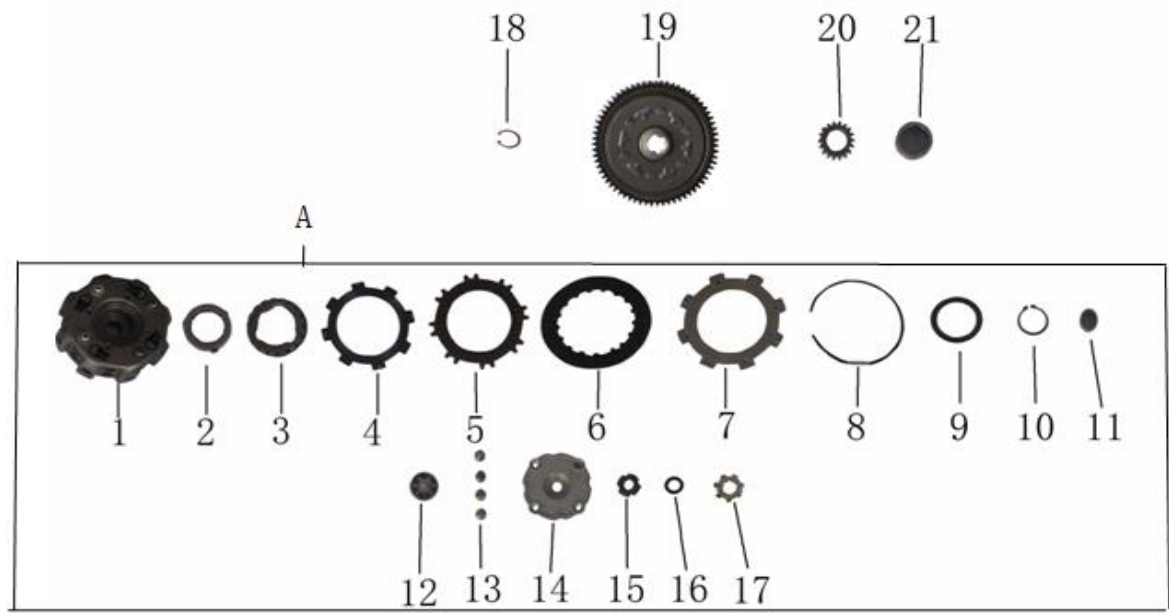
序 NO.	件 号 Code name	中文名称 Chinese	英文名称 Description	数量 Q'ty	单价	
					¥	\$
1	231006-0301	70气门锁夹	VALVE COTTER	4		
2	231006-0302	70气门弹簧座(上)	SPRING SEAT	2		
5	231006-0305	70-3#气门内外弹簧组合	INNER SPRING, ASSY	2		
6	231006-0306	70挡油罩组合	SEAL, VALVE STEM	2		
7	231006-0307	70进气门	INLET VALVE	1		
8	231006-0308	70排气门	EXHAUST VALVE	1		
12	231006-0312	70气门摇臂组合	ROCKER ARM ASSEMBLY, VALVE	2		
13	231006-0313	70气门摇臂轴	ROCKER SHAFT	2		
14	231006-0314	凸轮轴部件(轴承16003、16002)	GAMP SHAFT COMP	1		
15	231006-0315	70正时从动链轮	TIMING DRIVEN SPROCKET	1		
16	231006-0316	70正时链轮螺栓M5×12	BOLT M5×12	3		
17	231006-0317	70链条张紧臂组合	CHAIN ADJUSTING SET	1		
18	231006-0318	70链条张紧臂芯轴	AXLE, TENSIONER LEVER	1		
19	231006-0319	70链条张紧杆组合	CHAIN TYHT SET	1		
20	231006-0320	70链条张紧轮组合	LIFTER ASSY	1		
21	231006-0321	70链条张紧杆弹簧	SPRING	1		
22	231006-0322	密封螺塞铝垫圈14.5×1.5×20	WASHER 14.5×1.5×20	1		
23	231006-0323	70密封螺塞M14×1.5	SEALING PLUG M14×1.5	1		
24	231006-0324	张紧杆注油铝垫圈6.2×1.5×13	WASHER 6.2×1.5×13	1		
25	231006-0325	GB16674大盘螺栓M6×18	BOLT M6×18	1		
26	231006-0326	C100正时链条组合(84)	SPROKET CHAIN	1		

右曲轴箱盖 RIGHT CRANKCASE COVER



1	231006-0411	70定位销8×12×6.3	PIN 8×12×6.3	2		
2	231006-0501	左曲轴箱前盖(6极 8801)	FRONT PART, L. CRANKCASE COVER	1		
3	231006-0502	C100左曲轴箱后盖(8801)	BACK PART, L. CRANKCASE COVER	1		
4	231006-0503	GB16674小盘螺栓M6×28	BOLT M6×28	2		
5	231006-0504	GB16674小盘螺栓M6×50	BOLT M6×50	1		
6	231006-0505	GB16674小盘螺栓M6×32	BOLT M6×32	2		
7	231006-0506	GB16674小盘螺栓M6×70	BOLT M6×70			

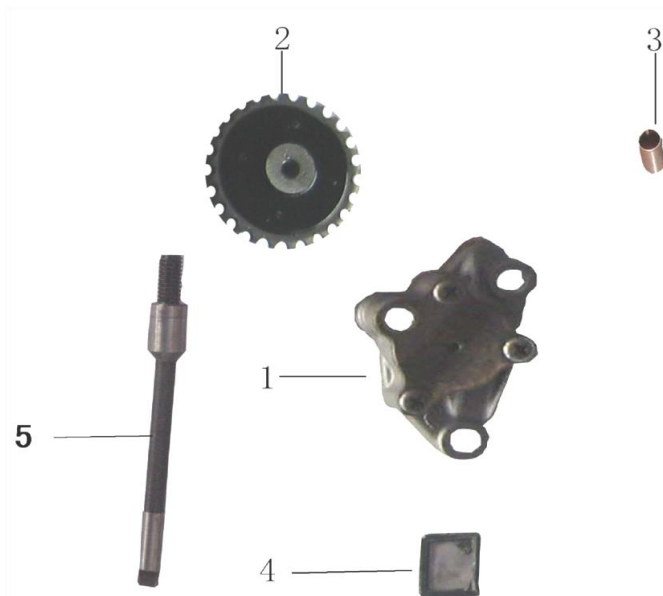
离合器总成 CLUTCH ASSY



序	件号	中文名称	英文名称	数量	单价	
NO.	Code name	Chinese	Description	Q'ty	¥	\$
A	231006-0600	离合器总成	Clutch ASSY	1		
1	231006-0601	Z125-2#离合器主动盘组件	DRIVE PLATE COMP	1		
2	231006-0602	Z100离合器定心滑套	ALIGNING SLIDING BUSH	1		
3	231006-0603	Z125-2#离合器缓冲套	CLUTCH DASH POT SLIPCOVER	3		
4	231006-0604	Z125-2#离合器上板组合	CLUTCH TOP PLATE	1		
5	231006-0605	Z100离合器从动摩擦片	OUTER FRICTION DISK A	2		

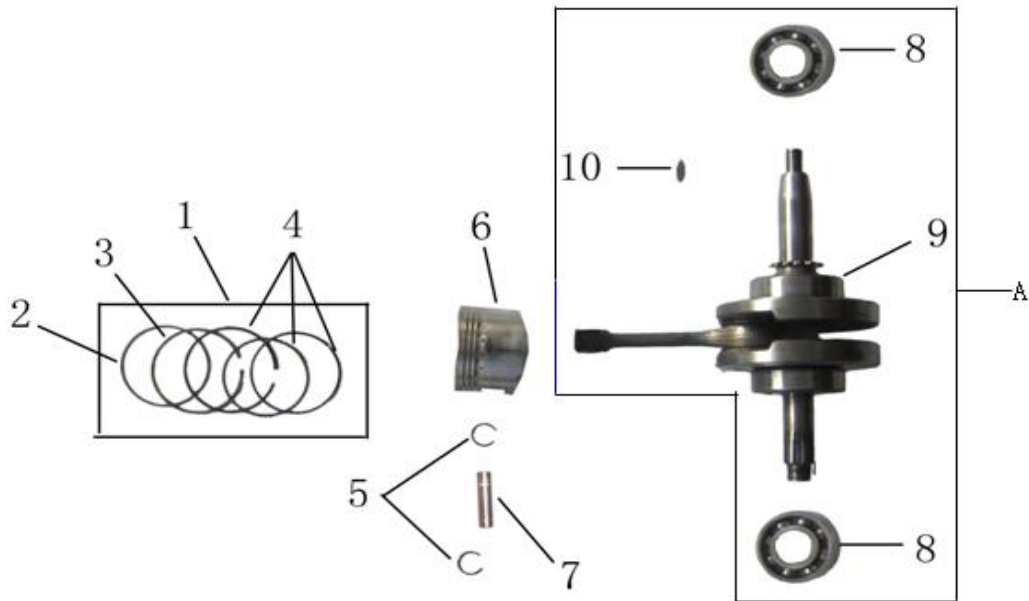
6	231006-0606	Z100离合器主动摩擦片	DRIVE FRICTION DISK	1		
7	231006-0607	Z100离合器下板组合	CLUTCH BELOW PLATE	1		
8	231006-0608	70离合器挡圈	ELASTIC CHECK RING	1		
9	231006-0609	Z100离合器缓冲弹簧片	SHOCK ABSORBER PLATE	1		
10	231006-0610	GB894. 1挡圈45	CIRCLIP 45	1		
11	231006-0611	70主动齿座圈衬套	SLEEVE	1		
12	231006-0612	轴承(6000)	BEARING (6000)	4		
13	231006-0613	GB819. 2螺钉M5×12(白锌)	SCREW M5×12	1		
14	231006-0614	Z100离合器端盖	END COVER, CLUTCH	1		
15	231006-0615	70离合器锁紧螺母	LOCK NUT, CLUTCH	1		
16	231006-0616	70离合器碟形垫圈	DISH WASHER, CLUTCH	1		
17	231006-0617	Z100离合器端盖密封垫	GASKET, END COVER	1		
18	231006-0618	70主轴齿轮卡圈	CIRCLIP	1		
19	231006-0619	Z100从动齿组合	DRIVEN GEAR COMP	1		
20	231006-0620	Z100主动齿	PRIMARY DRIVE GEAR	1		
21	231006-0621	Z100主动齿轮轴套	AXLE SLEEVE	1		

机油泵部件 OIL PUMP



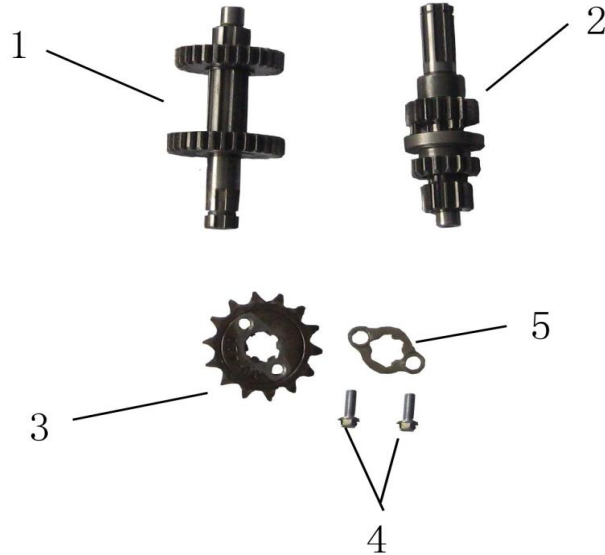
序	件号	中文名称	英文名称	数量	单价	
NO.	Code name	Chinese	Description	Q'ty	¥	\$
1	231006-0701	C100机油泵部件	OIL PUMP ASSY	1		
2	231006-0702	70机油泵传动链轮组合	HUB DUMP CHAIN SPROCKET, OIL PUMP	1		
3	231006-0703	70机油泵链轮轴套	BUSH, SPROCKET	1		
4	231006-0704	70机油过滤网组合	STRAINER, OIL FILTER	1		

曲轴连杆部件/活塞 CRANKSHAFT CONNECTING-ROD ASSY/PISTON



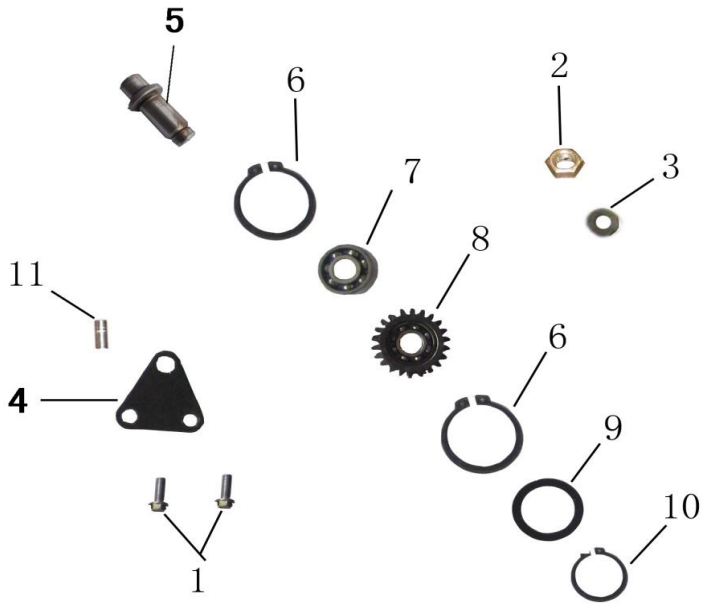
序	件号	中文名称	英文名称	数量	单价	
NO.	Code name	Chinese	Description	Q'ty	¥	\$
1	231006-1001	GY6活塞环总成(C120)	PISTON RING COMP	1		
2						
3						
4						
5	231006-1005	70活塞销挡圈	CHECK RING, PISTON PIN	2		
6	231006-1006	C120活塞	PISTON	1		
7	231006-1007	C120活塞销	PIN PISTON	1		
A	231006-A	C120曲轴连杆总成	CONNECTING ROD COMP	1		
8	231006-1008	轴承(6304)	BEARING (6304)	2		
9	231006-1009	120曲轴连杆组合	CONNECTING ROD COMP 3	1		
10		70半圆键4×12.5	SEMICIRCULAR KEY	1		

主副轴组合 TRANSMISSION MAIN, COUNTER SHAFT



序 NO.	件 号 Code name	中文名称 Chinese	英文名称 Description	数量 Q'ty	单价	
					¥	\$
1	231006-1101	SD110-1#主轴组合	MAIN SHAFT, TRANSMISSION	1		
	231006-1101	3+1主轴组合	MAIN SHAFT, TRANSMISSION	1		
2	231006-1102	SD110-1#副轴组合 (115mm)	COUNTERSHAFT TRANSMISSION	1		
3	231006-1103	C100主动链轮 (420. 13)	DRIVE SPROCKET	1		
4	231006-1104	GB5783螺栓M6×10 (白锌)	BOLT M6×10	2		
5	231006-1105	70主动链轮固定板	FIXING PLATE, DRIVE SPROCKET	1		

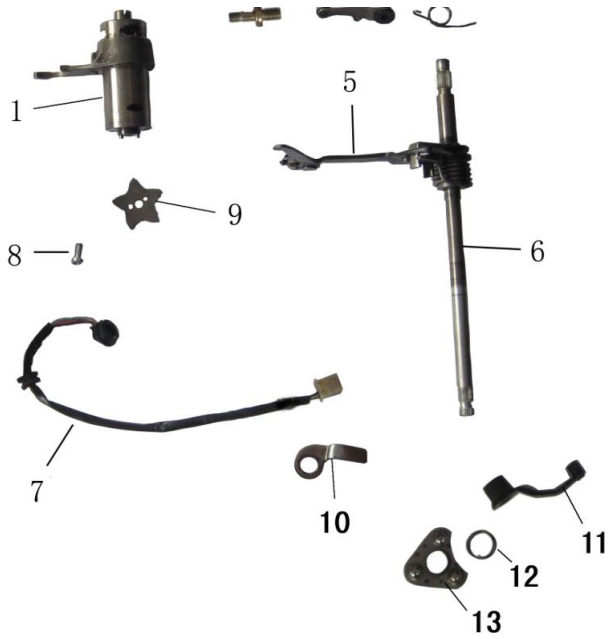
倒档惰轮机构 IDLER SETUP



序	件号	中文名称	英文名称	数量	单价	
NO.	Code name	Chinese	Description	Q'ty	¥	\$
1	231006-1201	GB5783螺栓M6×20(白锌)	BOLT M6×20	2		
2	231006-0403	GB6170螺母M8(白锌)	NUT 8	1		
3	231006-1202	倒档芯轴锁紧垫圈8.5×0.8×20	WASHER 8.5×0.8×20	1		
4	231006-1203	SD110芯轴支撑板	FIXING PLATE	1		
5	231006-1204	SD110倒档惰轮芯轴	PIVOT, REVERSE GEAR IDLER WHEEL	1		
6	231006-1205	GB893.1内挡圈26	CIRCLIP 26	2		
7	231006-0612	轴承(6000)	BEARING (6000)	1		
8	231006-1206	SD110倒档惰轮	REVERS IDLER	1		
9	231006-1207	倒档惰轮芯轴垫圈10×1×16	WASHER 10×1×16	1		
10	231006-1208	GB894.1挡圈10	CIRCLIP 10	1		
11	231006-1209	70倒档定位销8×8	PIN 8×8	1		

变速机构 GEARSHIFT MECHANISM





序 NO.	件 号 Code name	中文名称 Chinese	英文名称 Description	数量 Q'ty	单价	
					¥	\$
1和9	231006-1301-	SD110变速鼓部件(倒档)	GEARSHIFT DRUM COMP	1		
	231006-1301-2	3+1变速鼓部件(倒档)	GEARSHIFT DRUM COMP	1		
2	231006-1302	70变档臂定位螺栓8×11	BOLT, RETURN SPRINGN FIXING 8×11	1		
3	231006-1303	S110定位板组合	LOCATING PLATE ASSY	1		
4	231006-1304	C100定位板弹簧	SPRING ,LOCATING PLATE	1		
5	231006-1305	Z100换档臂臂体组合(四档循环)	LIMIT SCREW	1		
6	231006-1306	换档臂部件(260mm 四档循环档)	GEARSHIFT LEVER COMP	1		
7	231006-1307	档显线线束组合(3+1)	GEARSHIFT SWITCH LAMP	1		
8	231006-1308	GB823螺钉M6×12(白锌)	SCREW M6×12	1		
10	231006-1310	C100档位开关固定板(长压板)	GEARSHIFT SWITCH PRESSING PLATE	1		
11	231006-1311	Z100离合器操纵臂组合	CONTROLLING ARM ASSEMBLY, CLUTCH	1		
12	231006-1312	换档操纵臂弹簧		1		
13	231006-1313	Z100离合器凸轮板组合	CAM PLATE ASSEMBLY, CLUTCH	1		

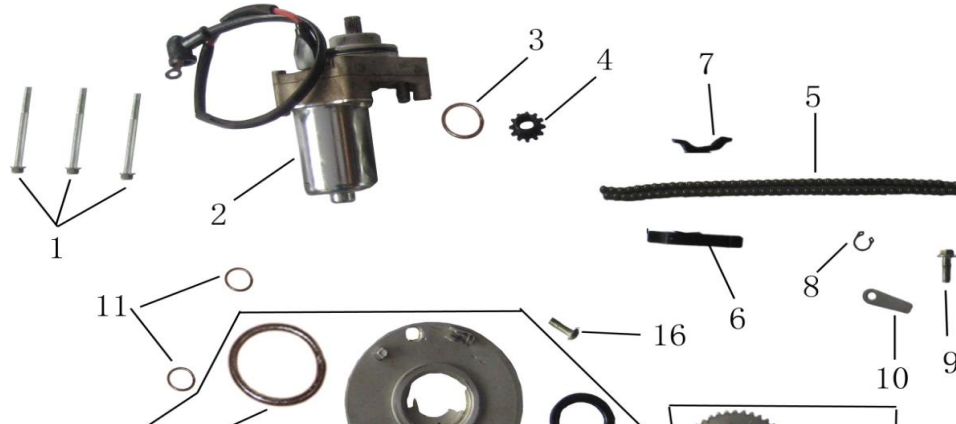
磁电机总成 MAGNETO COMP

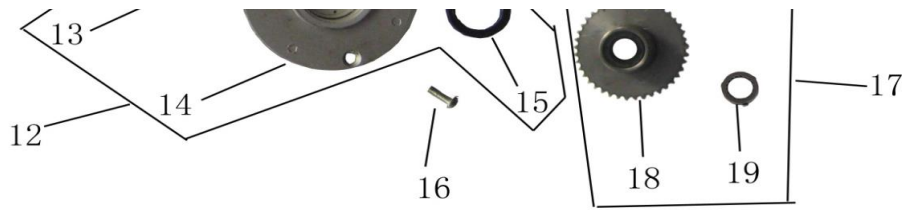




序 NO.	件 号 Code name	中文名称 Chinese	英文名称 Description	数量 Q'ty	单价	
					¥	\$
1	231006-1401	超越离合器本体组合(M8螺纹)	STARTING CLUTCH BODY	1		
2	231006-1402	磁电机转子组合(12V6极)	ROTOR ASSY, MAGNETO	1		
3	231006-1403	GB70.1螺钉M8×15(彩锌)	SCREW M8×15	3		
4	231006-1404	磁电机定子组合(12V6极半波交流)	STATOR ASSY, MAGNETO	1		
5	231006-1405	70磁电机螺母(兰白锌)	NUT	1		
6	231006-1406	GB16674小盘螺栓M6×18(白锌)	BOLT M6×18	2		
7	231006-1407	GB5783螺栓M5×12(白锌)	BOLT M5×12	2		
8	231006-1408	C100磁电机线夹	FIXING PLATE, MAGNETO CABLE	1		
9	231006-0206	GB16674小盘螺栓M6×16(白锌)	BOLT M6×16	1		

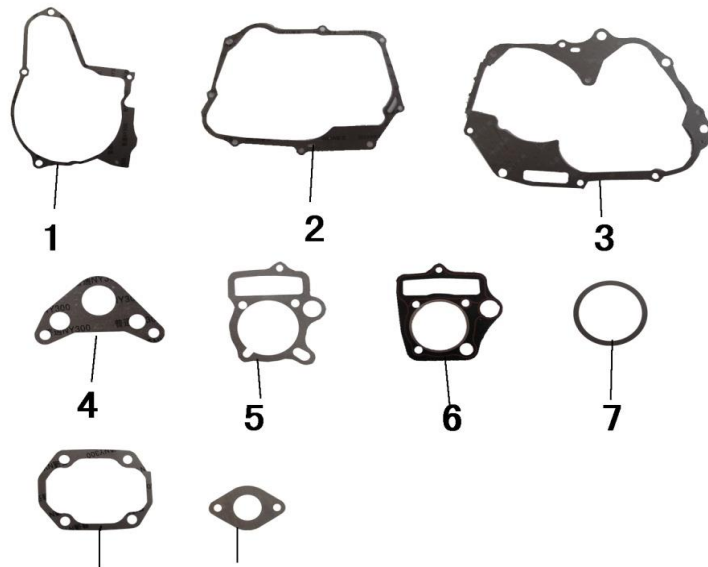
电启动机构 ELECTRIC STARTING MECHANISM





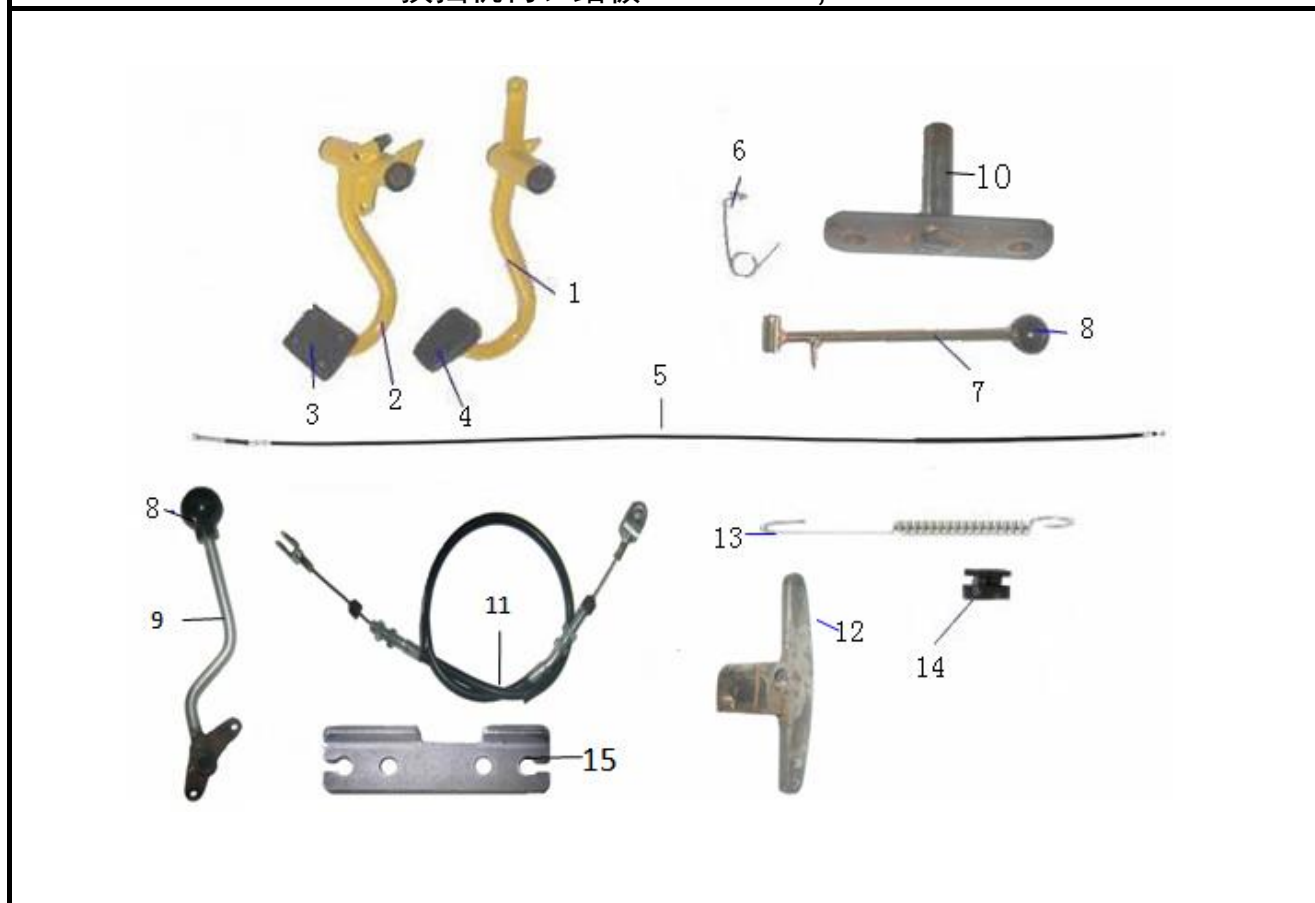
序	件号	中文名称	英文名称	数量	单价	
NO.	Code name	Chinese	Description	Q'ty	¥	\$
1	231006-0504	GB16674小盘螺栓M6×50	BOLT M6×50	3		
2	231006-1501	启动电机部件(双线L:220)	STARTING MOTOR ASSY	1		
3	231006-1502	启动电机O形密封圈52.5×2	O-RING 52.5×2	1		
4	231006-1503	C100启动电机小链轮	SPROCKET	1		
5	231006-1504	启动链条组合(62节加厚)	STARTING MOTOR DRIVE CHAIN	1		
6	231006-1505	C100链条导板组合	ASSEMBLY, GUIDE PLATE	1		
7	231006-1506	C100链条护板组合	ASSEMBLY, CHAIN PROTECT PLATE	1		
8	231006-1507	GB894.1挡圈11	CIRCLIP 11	1		
9	231006-1508	GB5783螺栓M6×12(白锌)	BOLT M6×12	1		
10	231006-1509	C100启动链轮定位板	PLATE, START CLUTCH	1		
11	231006-1510	定子盘O形圈6.5×1.8	O-RING 6.5×1.8	2		
12	231006-1511	C100隔油盘组件	DISK INSULATOR	1		
13	231006-1512	C100隔油盘O形圈106.8×2	O-RING 106.8×2	1		
14	231006-1513	C100隔油盘	DISK INSULATOR	1		
15	231006-1514	定子盘油封30×42×4.5	OIL SEAL 30×42×4.5	1		
16	231006-1515	GB819.1螺钉M6×16(白锌)	SCREW M6×16	2		
17	231006-1516	C100-7#启动大链轮组件	PLATE GEAR ASSY	1		
18	231006-1517	C100-7#启动大链轮组合	PLATE GEAR ASSY	1		
19	231006-1518	C100链轮油封19×30×5	OIL SEAL 19×30×5	1		

纸垫、隔热垫 PAPER GASKET、ANTI-HEAT GASKET



3	12030021	6903轴承	Bearing (6903)	2		
4	12020016	全铁防尘盖12.5*31*6	Steel Dust cover 12.5*31*6	4		
5	02030023	万向节L: 406mm	Gimbal L: 406mm	1		
6						
7	02030276	前转角右	Front steering angel (RH)	1		
8	02030217	转向拉杆 (带球头)	Steering rod w/ balljoint	2		
9	12060015	球头	Ball Joint	2		
10	190373	转向拉杆 L:170mm	Steering rod	2		
11	02030022	方向机	Steering machine	1		
12	02030275	前转角左	Front steering angel (RH)	1		
13	02030015	方向机压板	Steering Machine Cover	2		
14	12050003	轴用卡簧17	Circlip 17	1		

换挡机构、踏板 Gearshift, Pedal



序	件号	中文名称	英文名称	数量	单价	
NO.	Code name	Chinese	Description	Q'ty	¥	\$
1	02010079	油门踏板组件	Accelerator Pedal	1		
2	02010080	刹车踏板组件	Brake Pedal	1		
3	06990015	脚刹踏板防滑套(方形)	Brake Pedal Shoe	1		
4	06990016	脚刹踏板防滑套	Brake Pedal Shoe	1		
5	08020150	油门线	Throttle Cable	1		
6	07020006	手刹杆扭簧	Hand brake spring	1		
7	02010065	手刹杆组件	Hand brake	1		

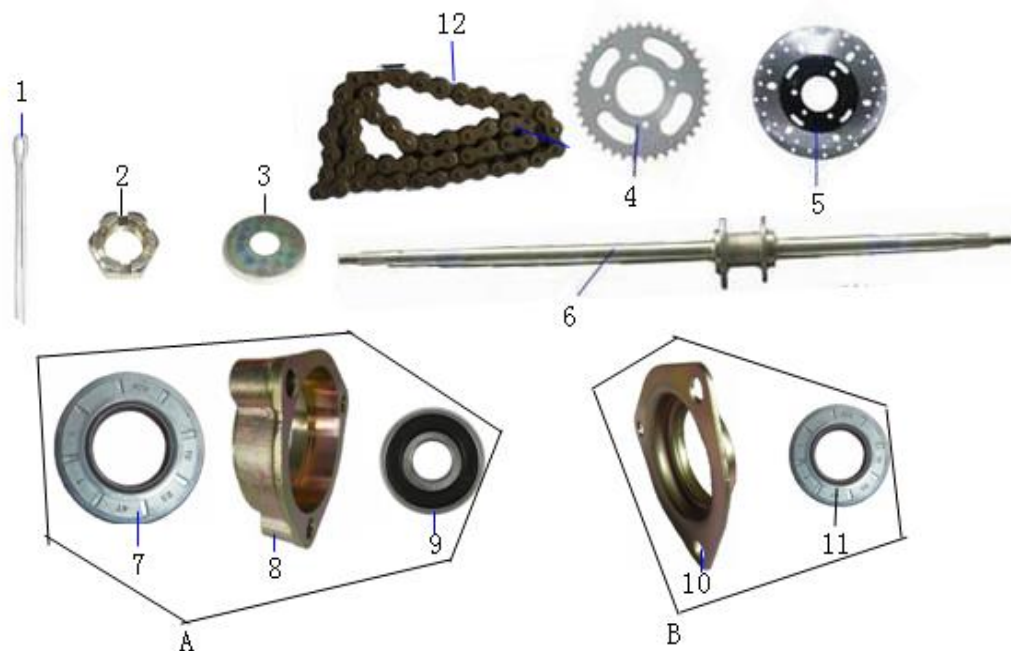
8	06990017	手刹杆球头	Hand brake ball joint	2		
9	02011079	变档杆组件	Shift-lever Assy	1		
10	02011080	换挡杆固定座	Shift-Lever seat	1		
11	08020215	换挡拉线	Handbrake	2		
12	02011081	变档摇臂	Shift Rocker Arm Assy	1		
13	07020007	刹车开关拉簧	Braking switch extension spring	2		
14	06020036	尾灯工字型橡胶	Rubber washer	1		
15	02011090	拉线固定板	Cable Seat	1		

油箱 Fuel Tank



序	件号	中文名称	英文名称	数量	单价	
NO.	Code name	Chinese	Description	Q'ty	¥	\$
1	05030050	C型油箱	Fuel tank	1		
2	06020118	橡胶垫8*22*3	Rubber Washer 8*22*3	3		
3	05050011	油箱盖	Oil Tank Cap	1		
4	06030002	汽油管4.5*8.5	Fuel pipe 4.5*8.5	50cm		
5	10060003	油箱开关	Fuel Switch/Pet Cock	1		
6	06020082	橡胶垫6*20*3	Rubber Washer 6*20*3	4		
7	06990001	二级过滤器	Secondary filter	1		
8	12010007	油管夹8.5	Fuel pipe Clip 8.5mm	4		

后传动系统 Rear Transmission ASSY



序 NO.	件 号 Code name	中文名称 Chinese	英文名称 Description	数量 Q'ty	单价	
					¥	\$
1		开口销3.0*40	Pin 3.0-40	2		
2		开槽螺母M16	slotted nut M16	2		
3	12020007	轮毂全铁防尘盖	Steel Dust cover	2		
4	02040011	链盘	Sprocket	1		
5	04020003	碟刹盘	Disc 160 mm	1		
6	02040168	后轴	Rear axle	1		
A	02040170	轴承座组件	Bearing pedestal ASSY	2		
7	12040017	油封40*28*7	Oil Seal 40*28*7	2		
8	02040174	轴承座	Bearing pedestal	2		
9	12030015	轴承6205	Bearing (6205)	2		
B	02040169	轴承座防尘盖组件	dust cover of the bearing pedestal	2		
10	02040173	轴承座防尘盖	dust cover of the bearing pedestal	2		
11	12040016	油封40*25*7	Oil Seal 40*25*7	2		
12	02040171	链条420-54	link chain 420-54	1		

覆盖件 Body covering



序	件号	中文名称	英文名称	数量	单价	
NO.	Code name	Chinese	Description	Q'ty	¥	\$
1	03010490	前车体	Main covering	1		
2	03030736	前左挡泥板	Front fender (Left)	1		
3	03030737	前右挡泥板	Front fender (Right)	1		
4	03030735	头罩	Coral covering	1		
5	03030738	后左挡泥板	Rear fender (left)	1		
6	03030739	后右挡泥板	Rear fender (Right)	1		
A	03030740	灯架	Headlights covering	1		
7	09010065	大灯左	Head Light (Left)	1		
8	09010066	大灯右	Head Light (Right)	1		
9	00608003	大灯灯泡 (35/35W)	Bulbs (35/35W)	2		
B	03030742	孔塞25	Plug 25	1		
10						
11	03030741	空塞8	Plug 8	18		

电器、电缆 Electrical parts, Wire



序 NO.	件 号 Code name	中文名称 Chinese	英文名称 Description	数量 Q'ty	单价	
					¥	\$
1	03030580	仪表板	Instrument board	1		
2	10010010	大灯开关	Switch headlight	1		
3	10010012	启动开关	Switch electric start	1		
4	10010089	熄火开关	Kill switch	1		
5	08010089	副电缆	Accessorial Cable			
6	01020021	继电器	relay	1		
7	01020010	高压包	coil,comp,ignition	1		
8	01020052	点火器	spark unit	1		
9	08010088	主电缆 (带防盗器插头)	Master cable	1		
	08010099	主电缆 (不带防盗器插头)	Master cable	1		
10	10990002	电瓶YTX5A-BS	battery 12V5A	1		
11	10080009	电门锁 (插口式)	Lock	1		
12	01020008	整流器	rectifier	1		
13	09040004	三星装饰灯	Top Lights	2		
14	10990070	防盗器	Anti-theft Device	1		

