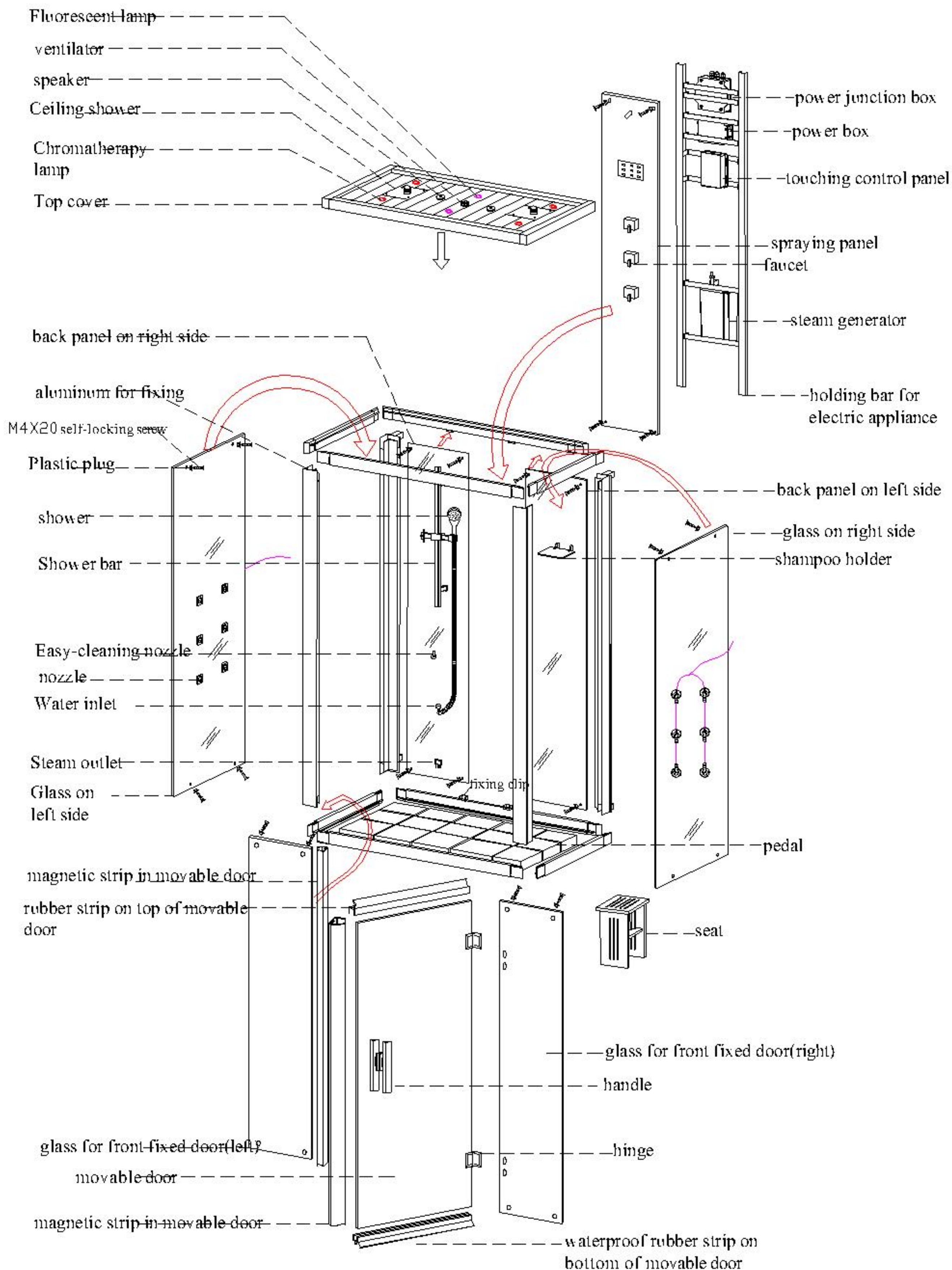


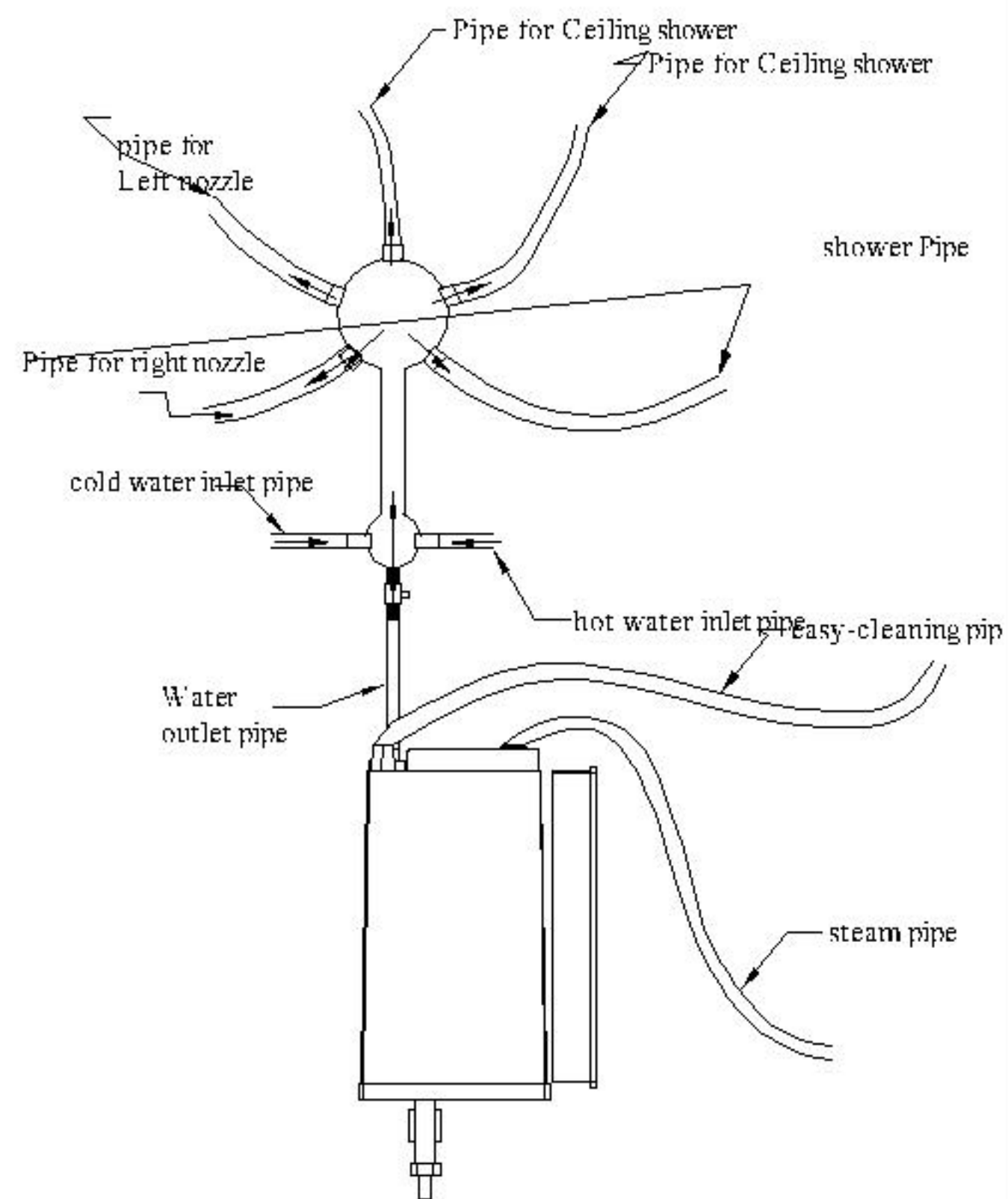
# Installation Instruction for DZ972



# Installation Instruction for DZ972

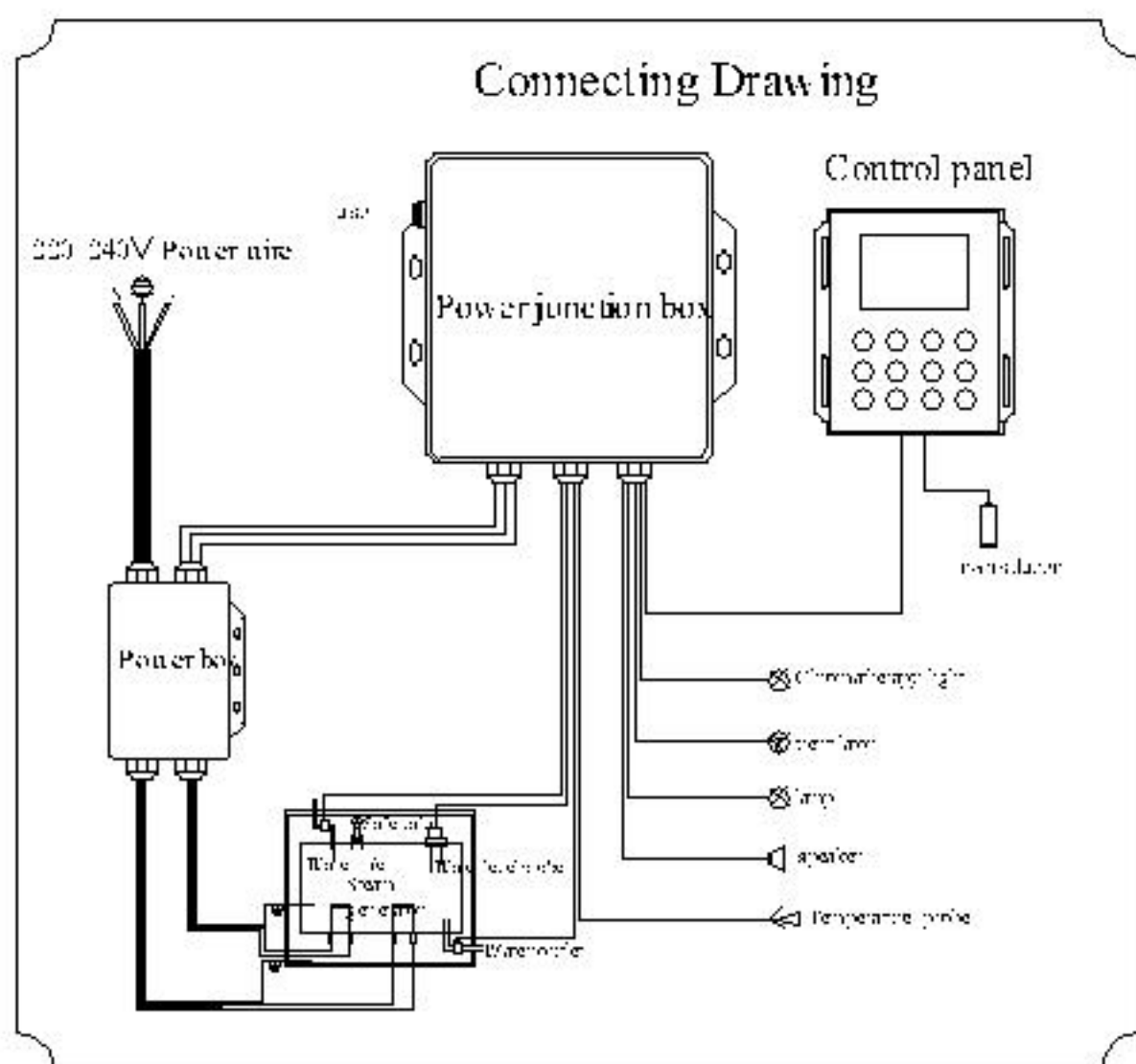
Item No.	DZ972F8
Size	1500*865*2210
Material	Tempered glass/Satin Silver Aluminium
Control Mode	ES901 Circuit Board (Plane)
Power required	Unattached RCD (Maxpower 30mA)
Rated Voltage	220V-240V
Rated frequency	50/60HZ
Power of heating pipe	Steam Generator 6KW/4.5W
Nozzle	12pcs
Number on Shower Wall	
Function	Back nozzle / Radio / Ventilator / Chromotherapy light / Fluorescent lamp / ceiling shower / shower
Faucet	5-joint quadrate faucet
Shower	SE0103252 shower
Shampoo holder	quadrate shampoo holder
Shower Bar	quadrate bar

①



②

③



④

- level bar
  - electric gun
  - scissors
  - glass cement gun
  - tapeline
  - pencil
  - screw driver
  - blade
  - wrench
- tools for installation

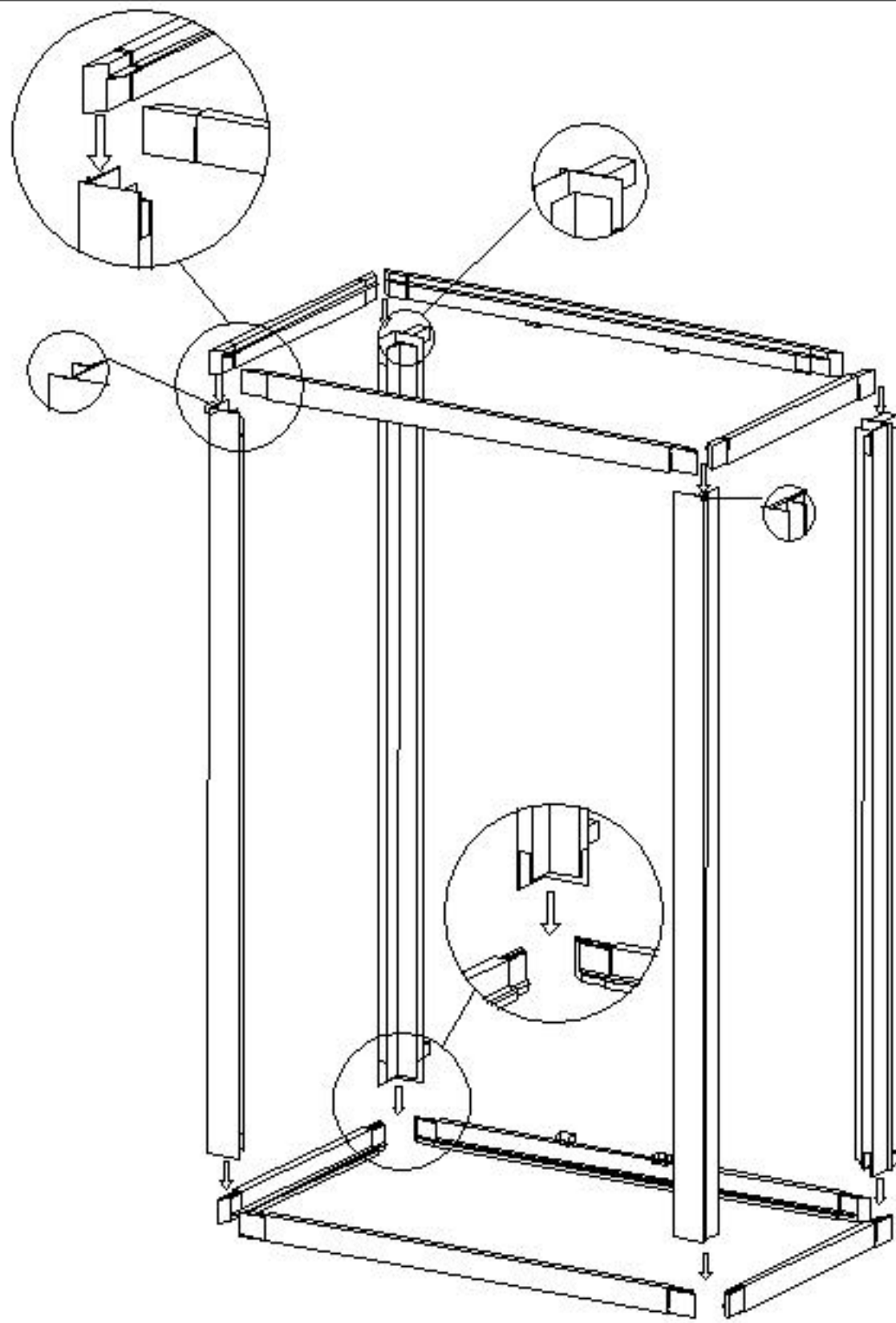
- M1x25 flat self-locking screw 36pcs
- M1x20 flat self-locking screw 16pcs
- plastic for screw 36pcs
- handle 1pair
- glass cement(black) 1pcs

accessory package  
and screw package

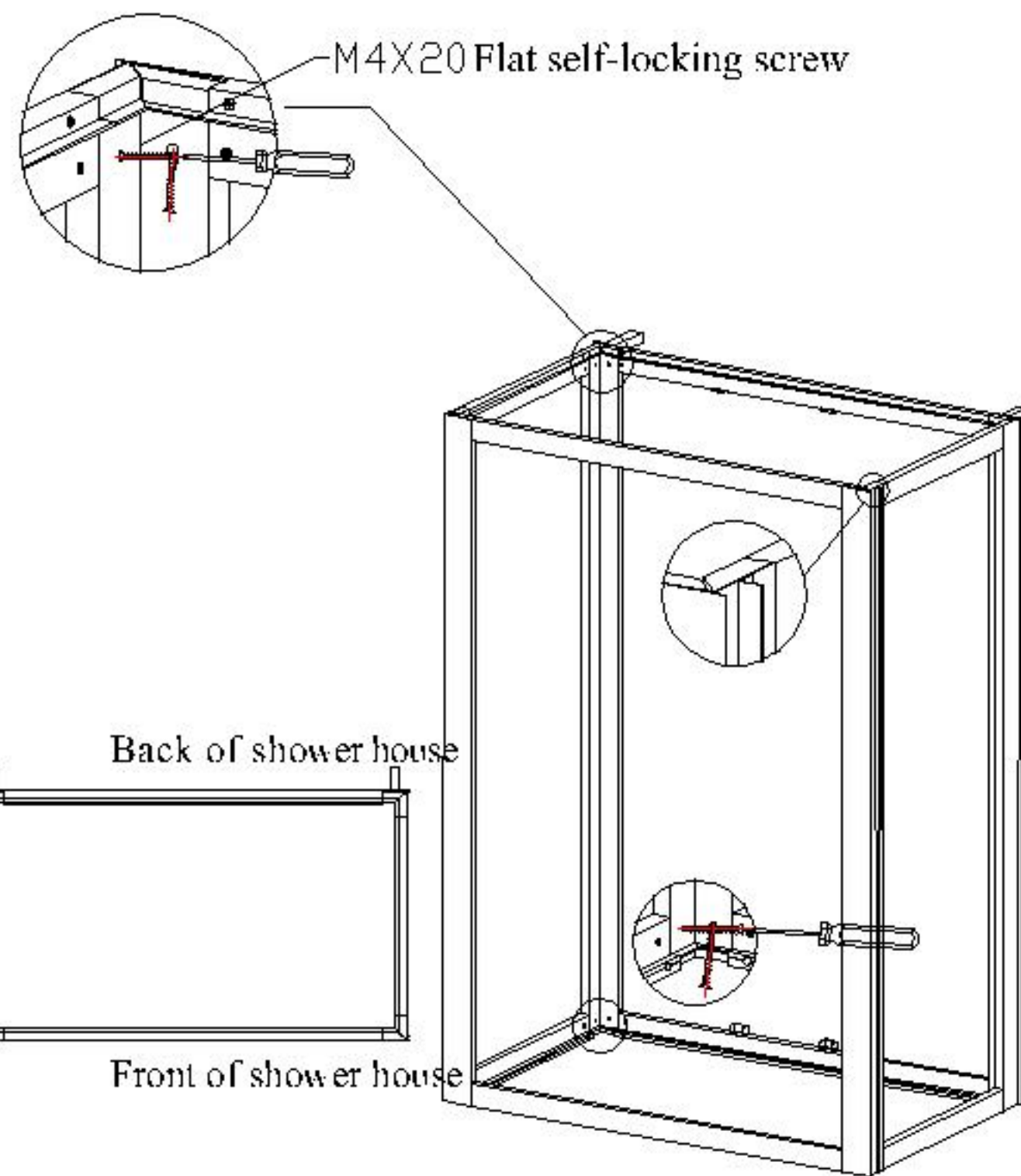
Note:  
1: Drawing 1 is relative technical parameter  
2: Drawing 2 is waterpipe connection, please refer to it while installing.  
3: Drawing 3 is wire connection, please refer to it while installing.  
4: Please check accessory package and tools.



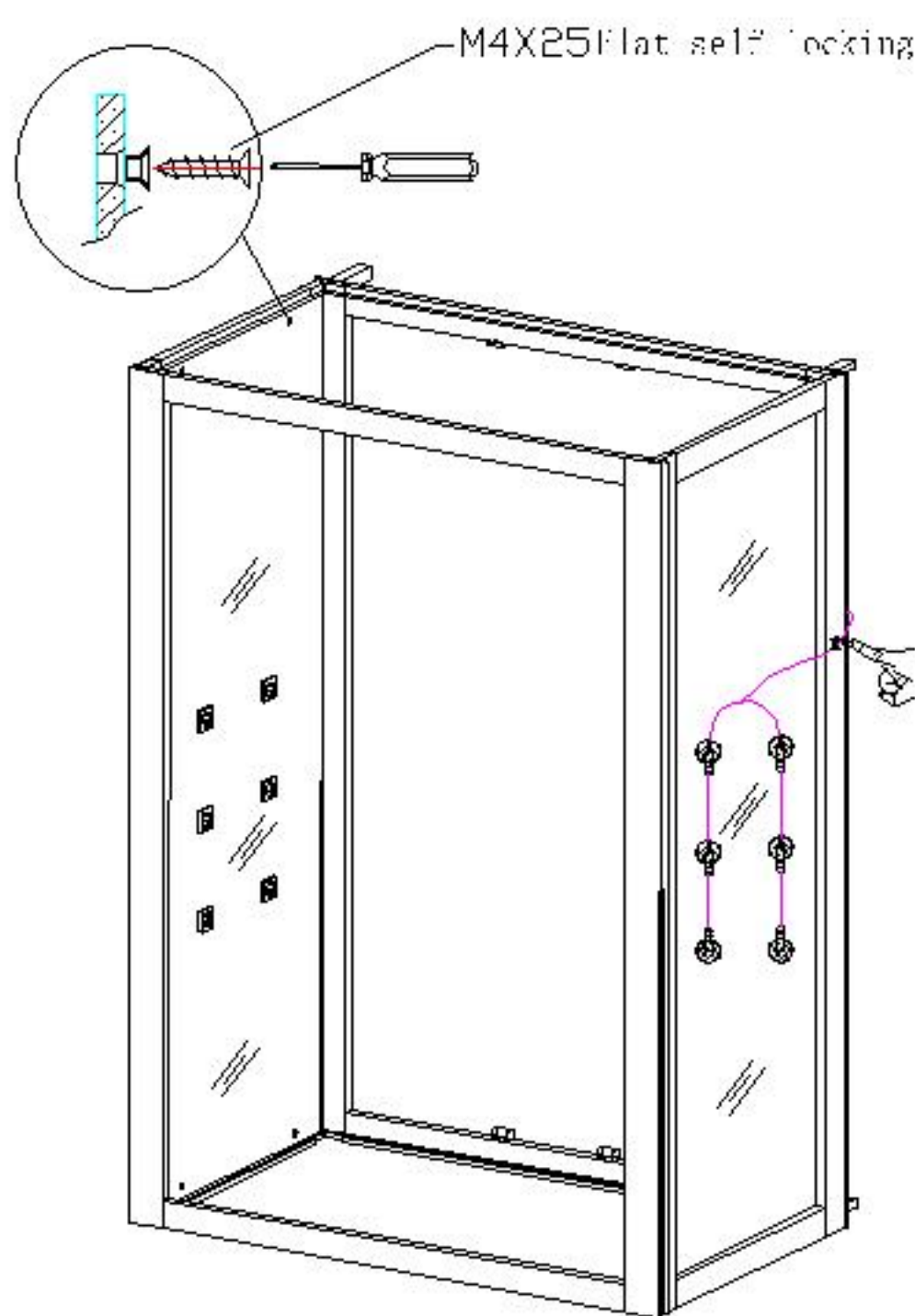
# Installation Instruction for DZ972



⑤

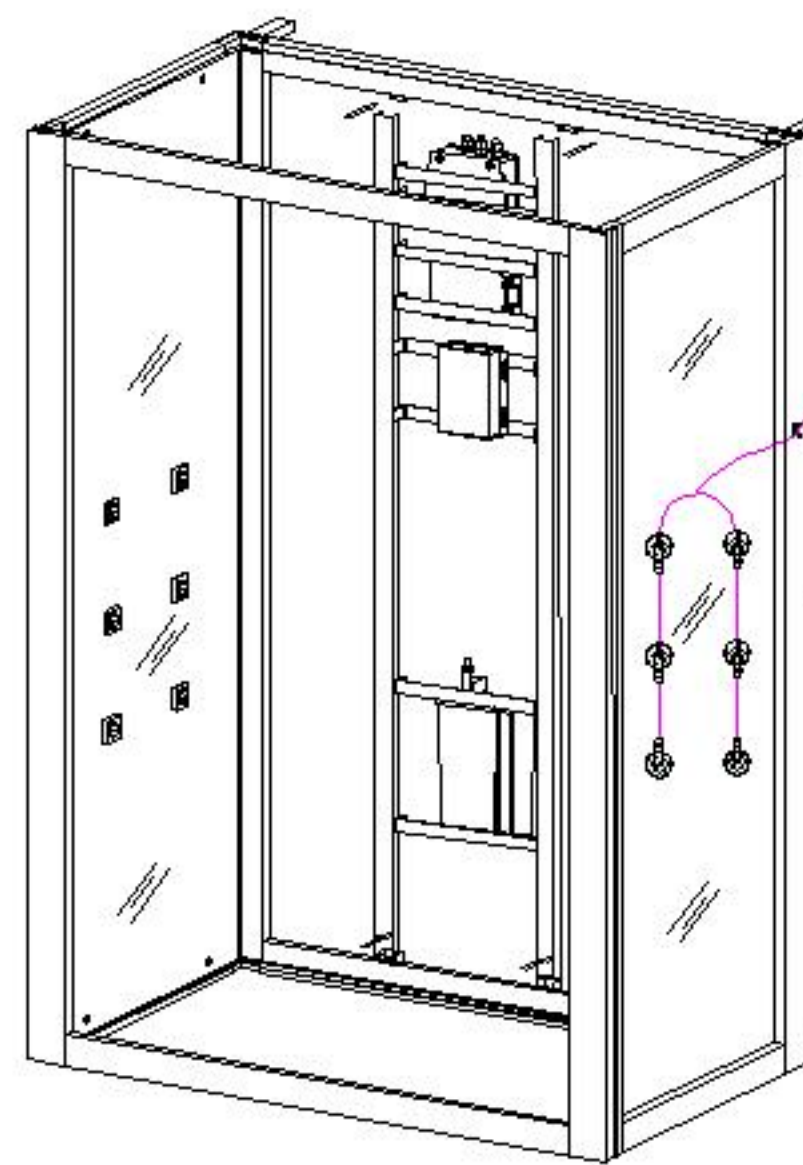


⑥



⑦

⑧

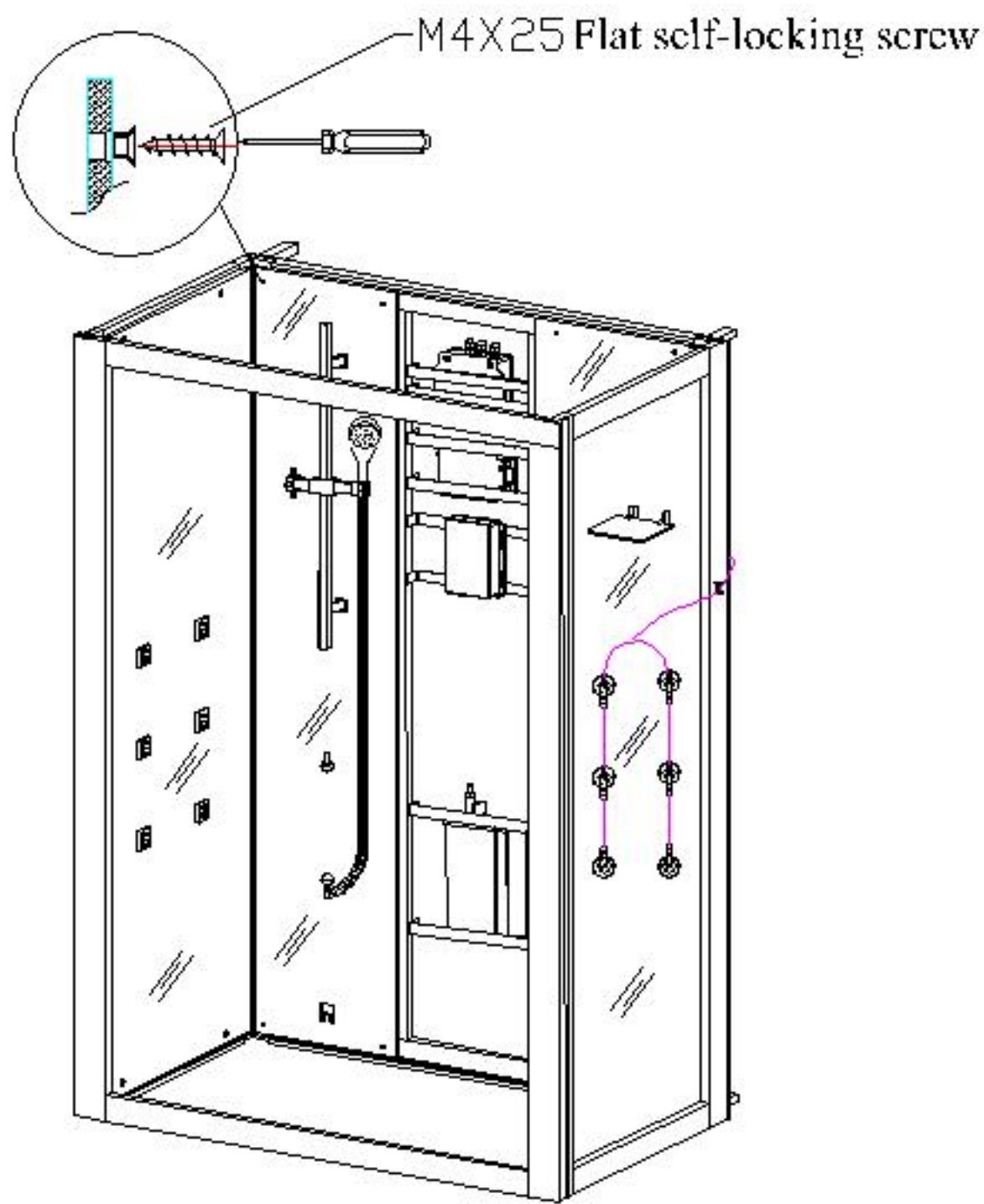


## Installation Procedures:

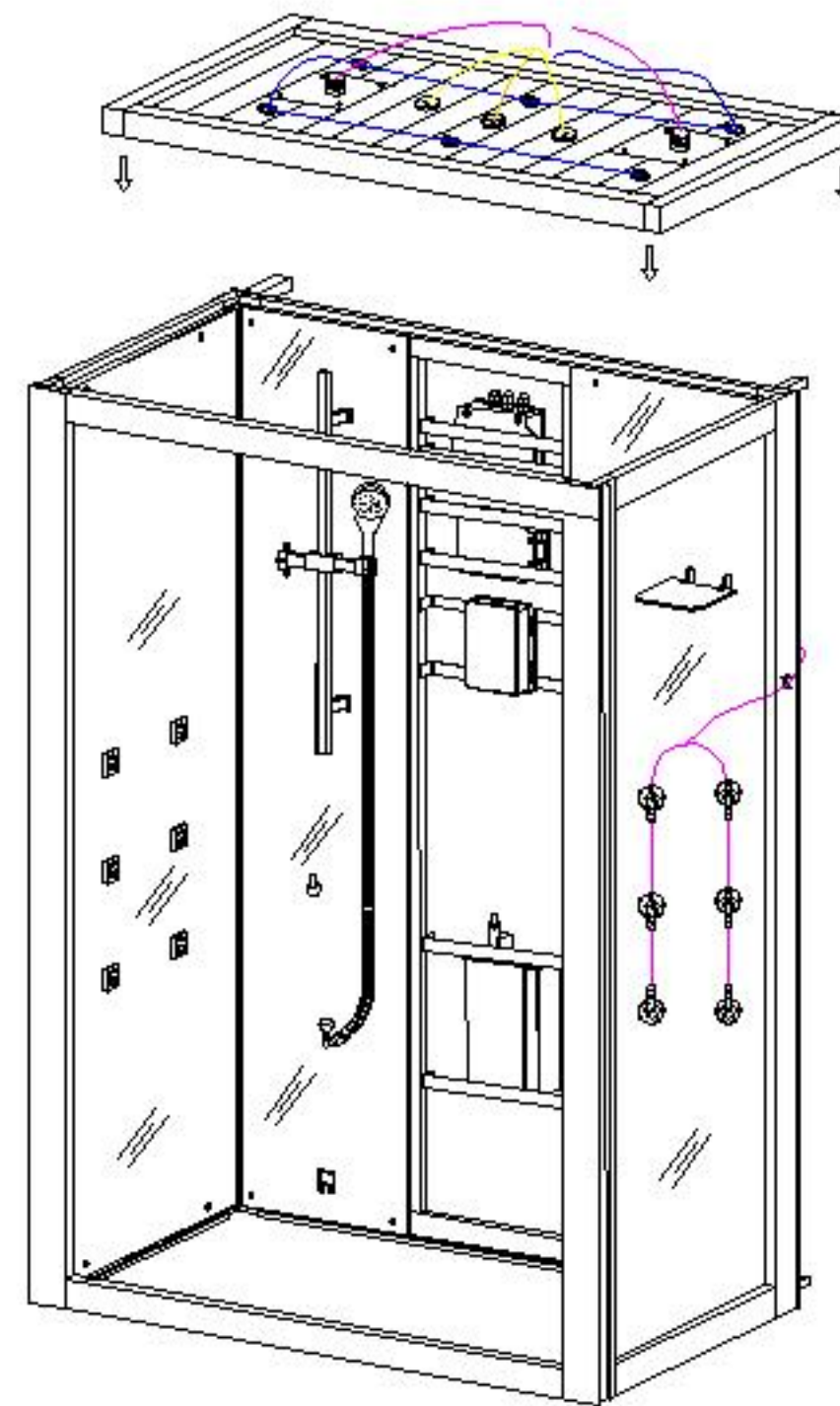
1. Get the whole frame connected. (Note: pay attention to up & down, front & back side, satin silver side is visible side.)
2. Get 8 corners fixed with M4\*20 flat self-locking screw according to Drawing 3, then check and make sure the gap of aluminum alloy is less than 0.5mm
3. Put side glass on corresponding position in the frame, and put plastic plug on holes, then make it fixed with M4\*25 flat self-locking screw as illustrated in drawing 4. (note: pay attention to the tightness) after installing, press water inlet pipe into the locked rubber with your hand
4. Install electric appliance according to drawing 5. (tightness can't be more than 1mm)



# Installation Instruction for DZ972



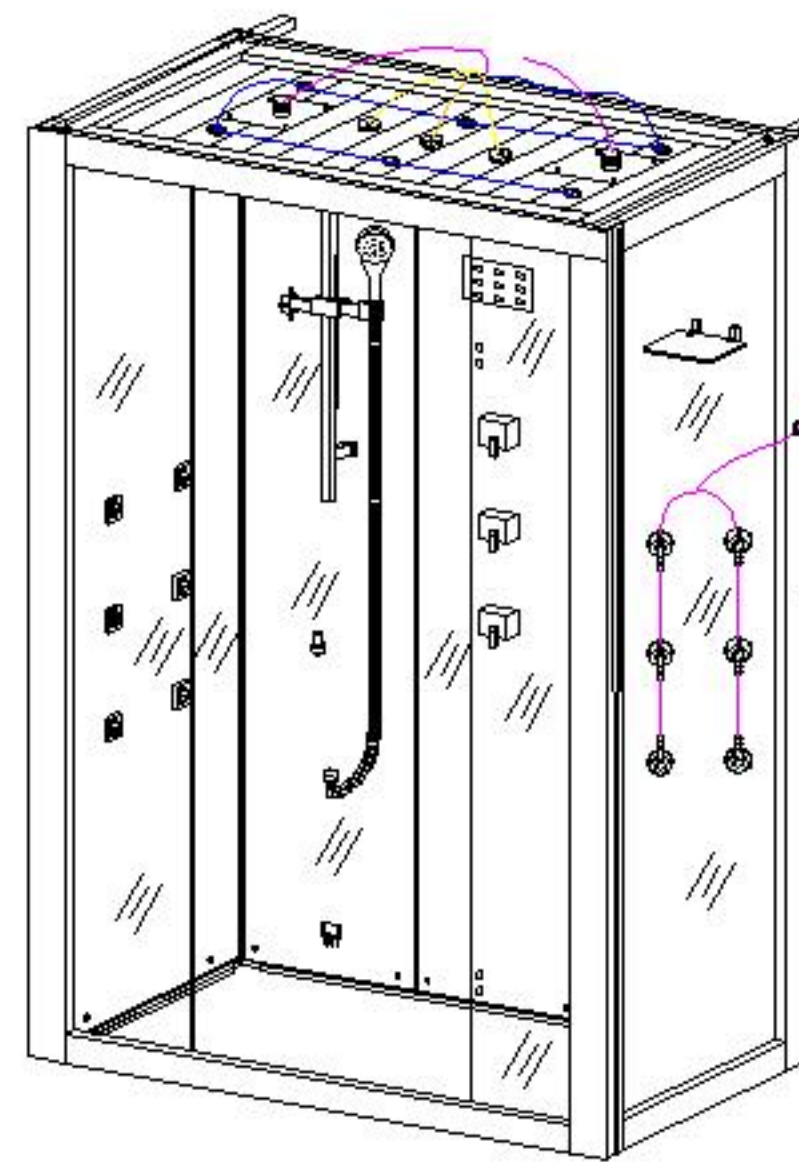
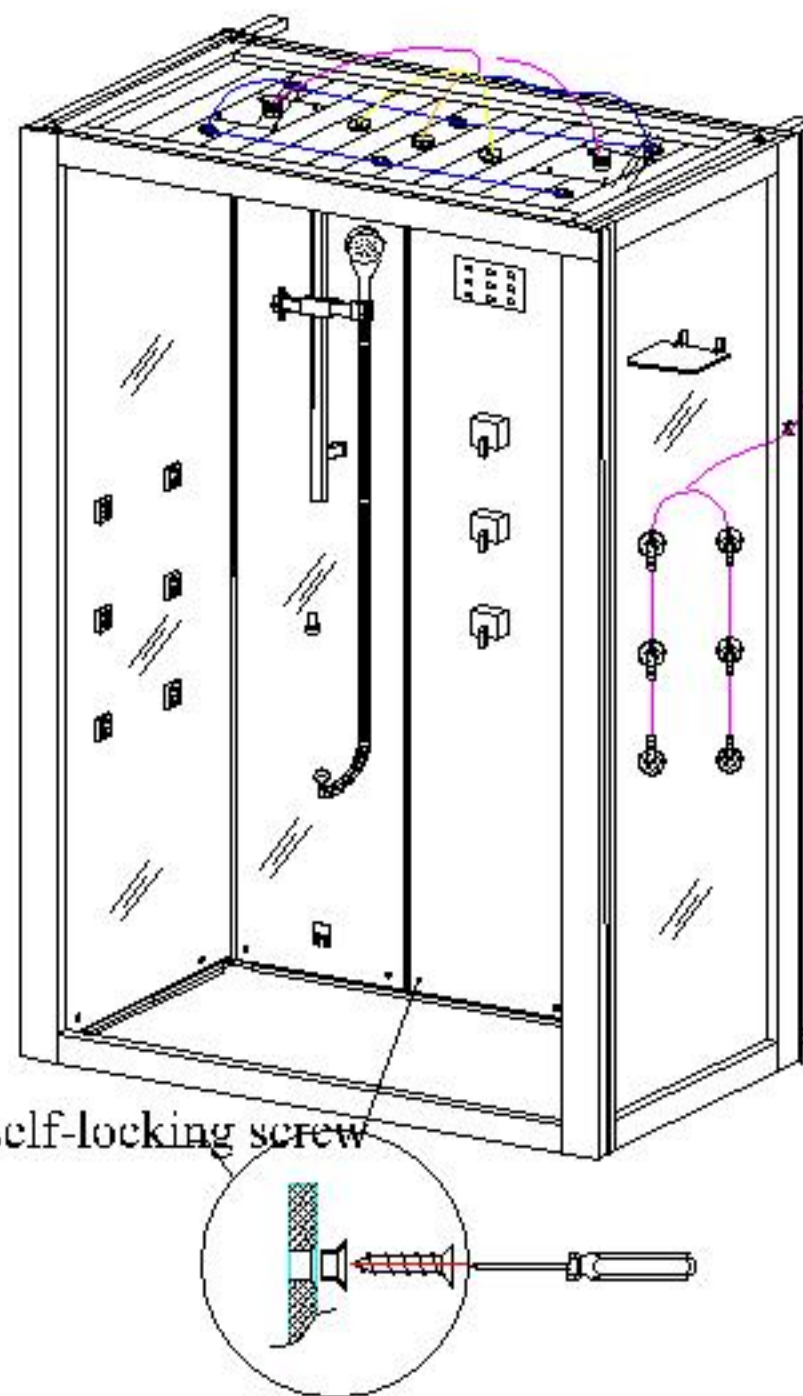
9



10

11

12



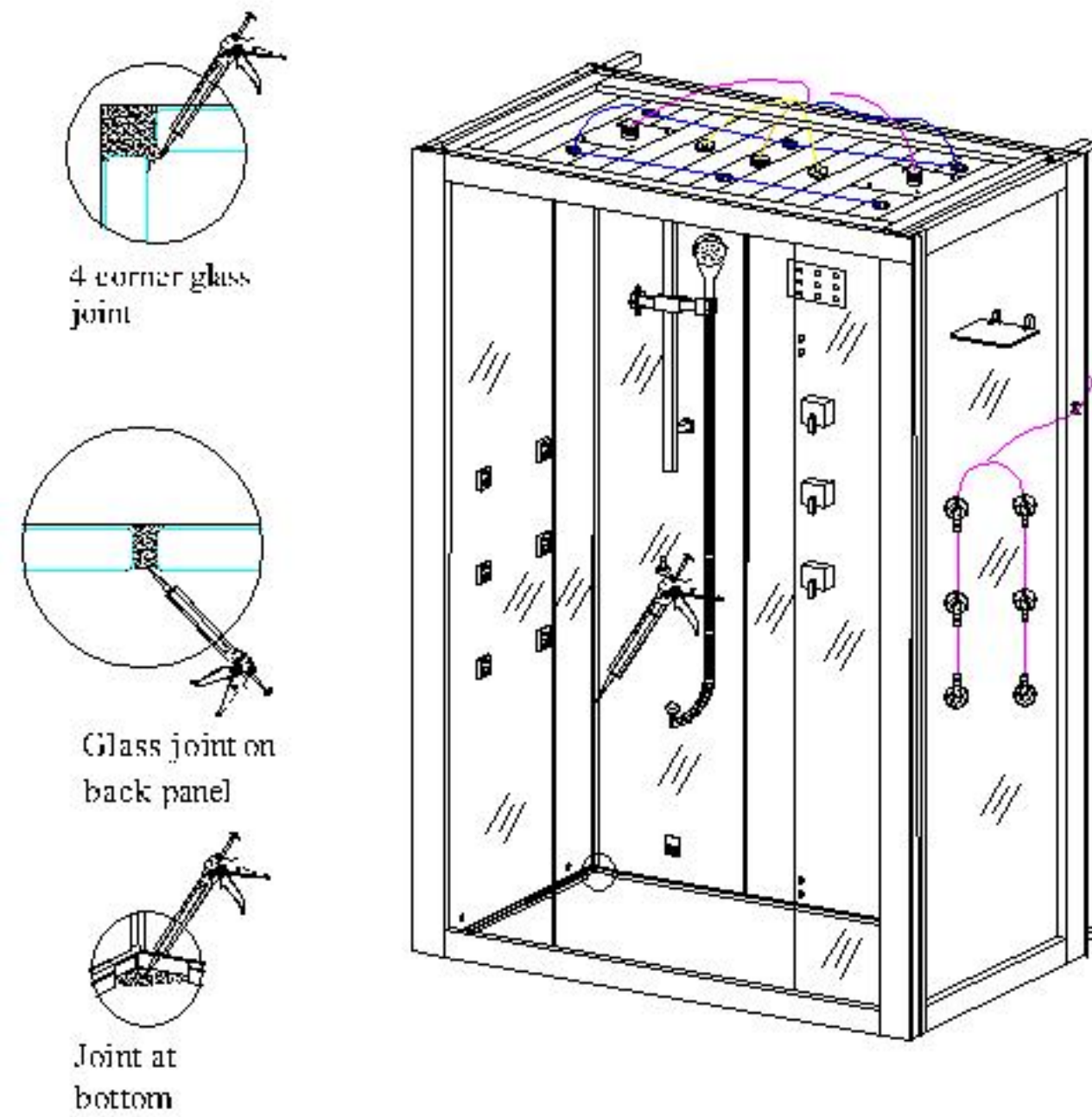
M4X25 Flat self-locking screw

## Installation Procedures:

5. Install shower bar and shampoo holder, and get them fixed with screw according to step 4, then get the pipes connected.
6. Put top cover on the right position on top.(Pay attention to the installation of wire and the pipe for ceiling shower )
7. Get middle panel and water pipes connected, and make them fixed with screw according to Step 4, and then check again water pipe and wires .
8. Get the fixed glass fixed according to Step 4, (note: pay attention to left &right side ) then test every function of steam room, make sure it works before next step.

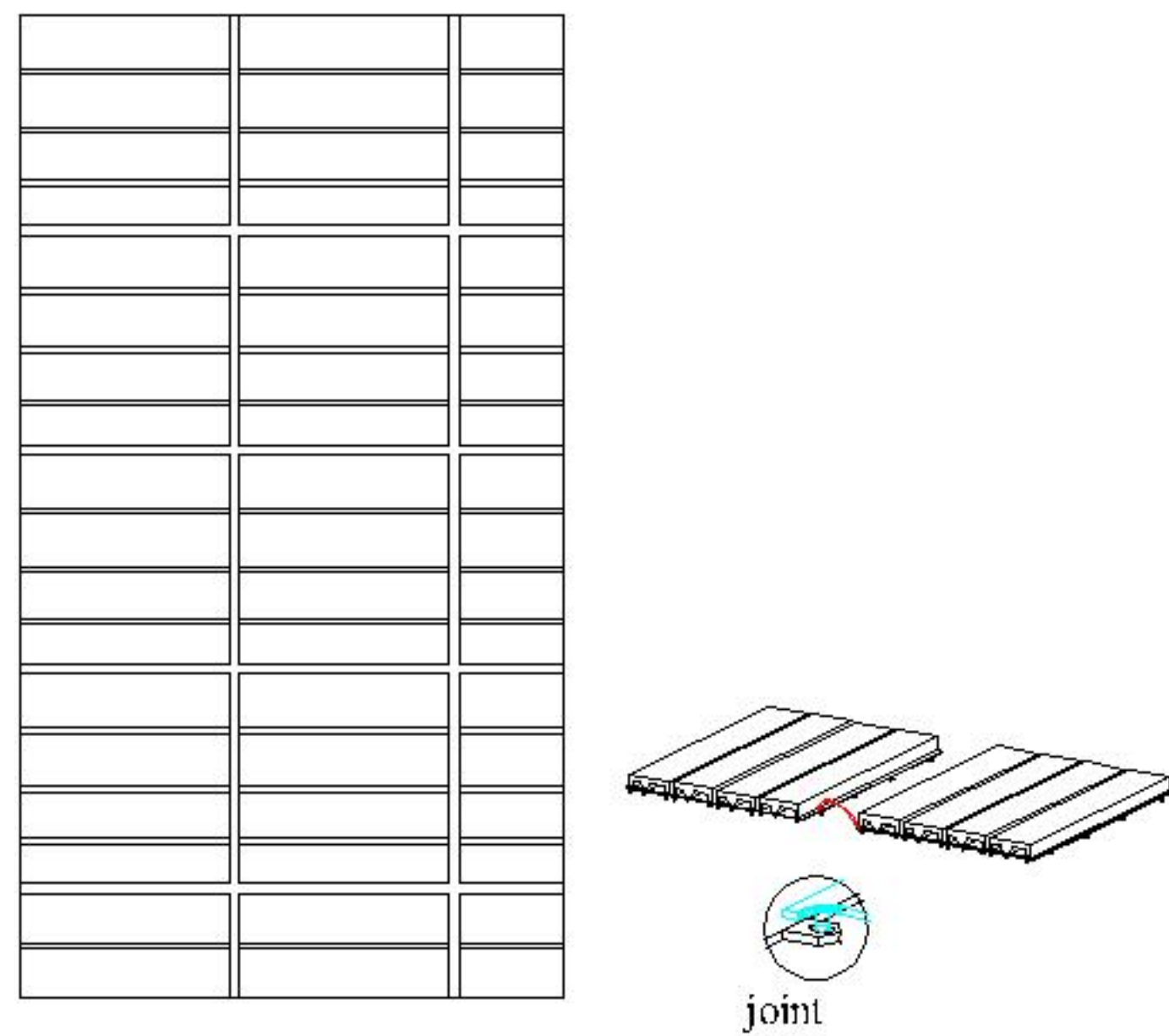


# Installation Instruction for DZ972



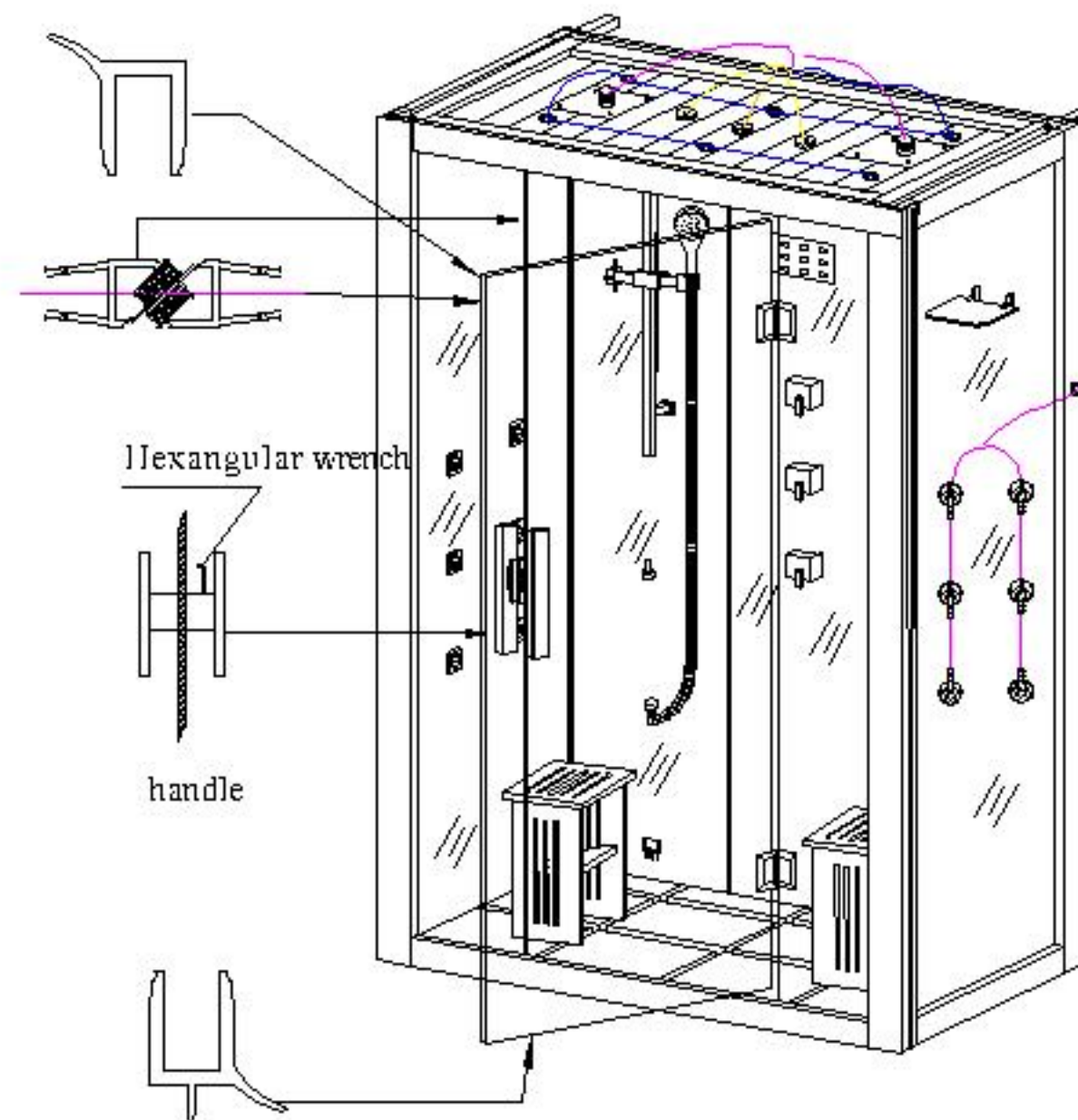
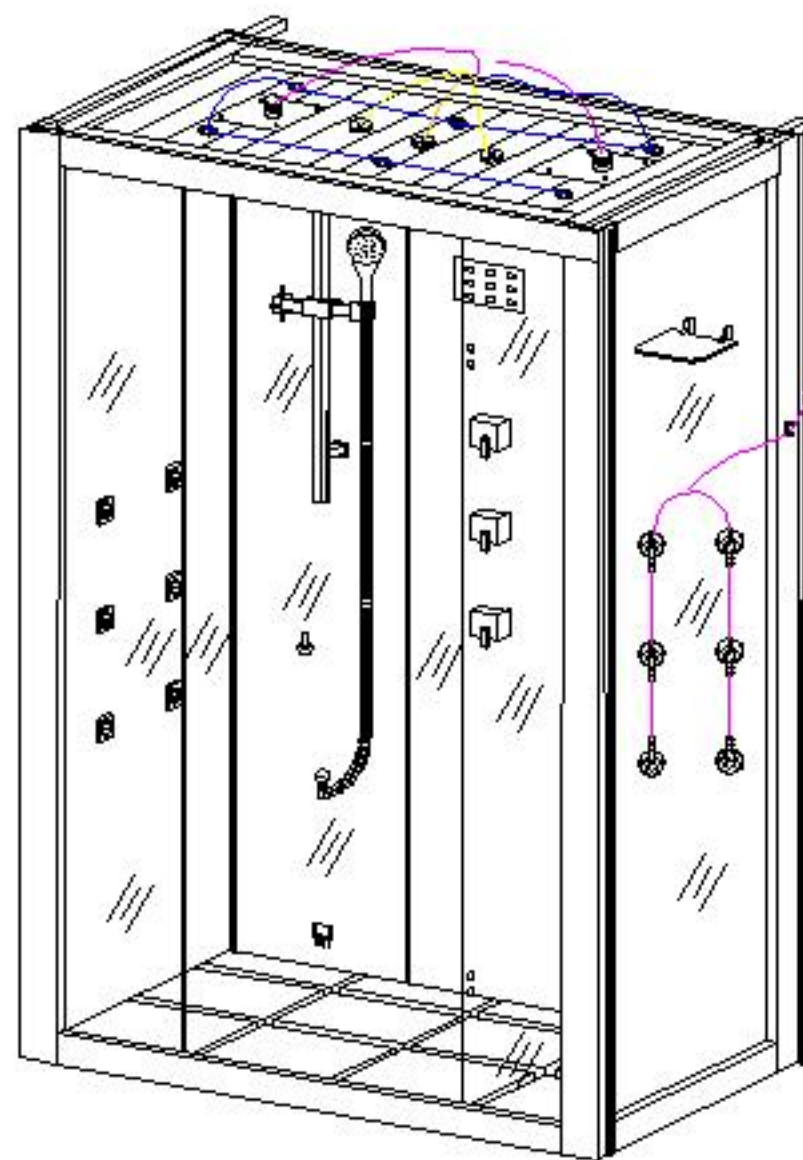
13

14



15

16



## Installation Procedures:

9. Shot some black glass cement into the position as illustrated in drawing 13 with glass cement gun, and trimming after shooting. (Note: it needs 24 hours for glass cement to be solidified).
10. Get wood pedal connected as illustrated in drawing 14.
11. Put pedal on right position as illustrated in drawing 15.
12. Install movable door, magnetic strip, up & down rubber strip and handle. Adjust the hinge to make sure the door is vertical, then put seat on right position as illustrated in drawing 16.