

INSTALL DIRECTION

MASSAGE BATHTUB

MODEL : WS-150150



Do not dispose this product as unsorted municipal waste. Collection of such waste separately for special treatment is necessary.

Installation

1. Fix shower head and pillow first.
2. Connect the drain hose to the cloaca.
3. Connect to the cool and hot water pipe.
4. Adjust the screw on the feet to make the bathtub horizontal.
5. Connect to power source, then fill water to have a test.

Parameter

Voltage: 220V-240V 50Hz Power: 1HP

Hydraulic pressure : 0.1~0.2Mpa

Size: 1520x1520x690mm

Operation

1. Fill water

Turn on the cool or hot water switch to fill water into the bathtub. Turn the cool or hot water switch to adjust the water filling speed and water temperature. Turn the shift switch to use shower head or faucet to fill water. Stop to fill water when the water level is 10-20mm above the massage nozzle.

2. Hydraulic massage

Press the pump switch to start the pump and Jacuzzi, and turn the air regulator to adjust the hydraulic power. Push the nozzle to change the water spray direction. Press the switch again to turn off the pump.

3. Shower

Turn the cool/hot water switch to get suitable temperature, then turn the shift switch to use shower head to take a shower.

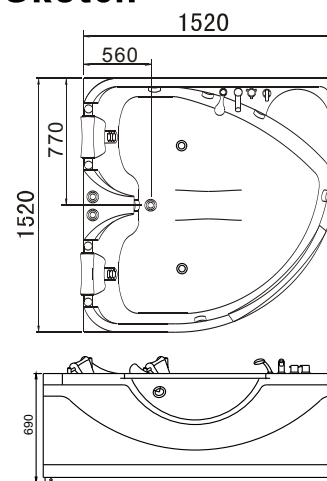
4. Power off

Press the pump switch to turn off the pump, then turn the drain switch to let out the water, when stop use, turn off the power source switch and the water supply switch.

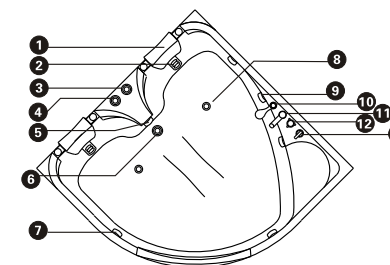
Attention

1. turn on the power and make sure it won't surpass the electric current.
2. Make sure to fix leakage protection device, and the socket must be connected with earth line.
3. Please don't block the water recycle nozzle by any part of your body, if that occurs, turn off the pump or power at once
4. A switch for the supply of the hot /cool water must be installed, when stop to use this product the water supply switch and the power source switch should be turned off.
5. Check the water level if it is 10-20mm above the spray nozzle before you start the pump or the pump could be damaged.
6. Don't use corrosive detergent to clean the bathtub, you could use common daily detergent or toothpaste to clean it.
7. Dispose of the product according to the local law when it is out of use.
8. Please contact the local dealer for help if you have any problem.

Sketch



SIZE:1520x1520x690mm



- 1, pillow
- 2, nozzle
- 3, water pump switch
- 4, air conditioning
- 5, drainage switch
- 6, drainage
- 7, water jet
- 8, water jet
- 9, water in
- 10, shower
- 11, tap
- 12, switch
- 13, cold/hot water switch