

## 1. Introduction

Thank you for purchasing Zuma Luminaire.

Here you will find product specifications and a quick guide to get you started. Enjoy!

**IMPORTANT:** The Zuma Luminaire device requires at least one Zuma Lumisonic on the same network.

### What's in the box:

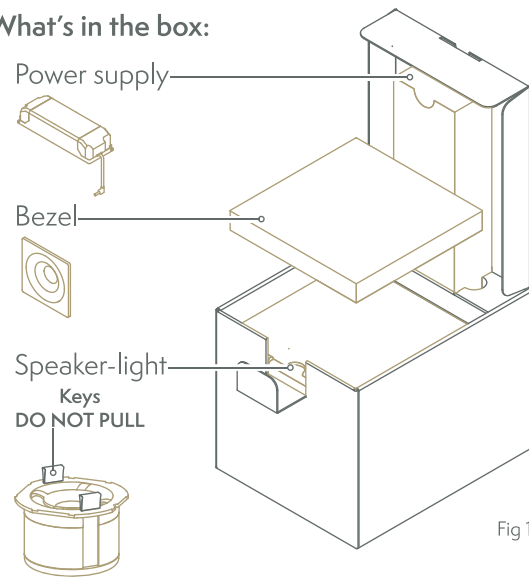


Fig 1

Scan this QR code to watch our quick install video or visit [www.zuma.ai/help](http://www.zuma.ai/help)



## 2. Preparation



**IMPORTANT:** Installing Zuma requires working with mains voltage. If you are not experienced in working with mains voltage please consult a registered certified electrician.

Install Zuma units one room at a time.

### IMPORTANT

Turn off mains power for the lighting circuit of each room where Zuma will be installed.

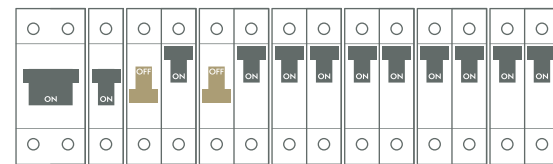


Fig 2

Check there are no obstructions such as joists, pipes or cables in installation positions. Ensure positions have clearance as per Fig 3.

### Items you will need:

95mm (3¾") rotary hole saw with drill.

A Wi-Fi® network with an active internet connection.

An iOS device with iOS 14.4 or later to setup your system.

## 3. Before you Install

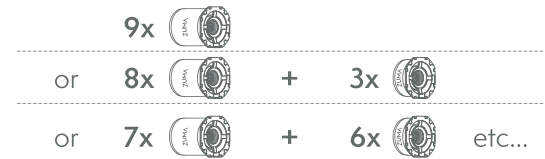
Power Supply (20W): Input 220 - 240 AC

Output: +24V DC

Max Continuous Power (9W)

You can install **up to 9 Zuma Lumisonic units** on any single 6 amp B type MCB without any other devices on the circuit.

When combining Zuma Lumisonic and Zuma Luminaire products, each Zuma Lumisonic can be replaced with 3 Zuma Luminaires. Therefore maximum numbers for a 6 amp circuit are:



**IMPORTANT:** Do not install Zuma with dimmer switches. If you have dimmers remove them from the lighting circuits and replace them with regular switches.

## 4. Ceiling Cavity

The product must operate in a void where insulation is distanced from the product as per Fig 3. The product must only be attached to a ceiling that is 1.2cm to 3cm thick.

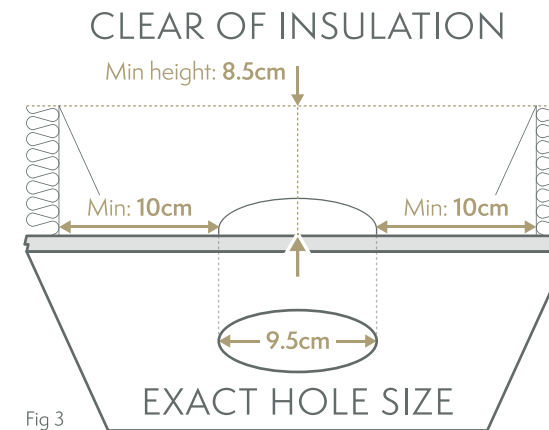


Fig 3

If you are **cutting new mounting holes** in your ceiling, use a **95mm (3¾")** rotary hole saw with drill as per Fig 3. Inspect holes and ceiling cavity ensuring edges are not damaged.

If you're **expanding existing holes** please check [www.zuma.ai/help](http://www.zuma.ai/help) for tips on how to do so easily and effectively.

## 5. Wiring

Unscrew the cover on the mains side of the power supply noted **220-240V~** to access the terminals indicated in Fig 4.

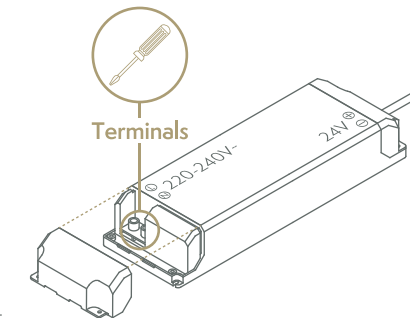


Fig 4

Connect the live and neutral cable from your lighting circuit to the high voltage terminals marked **220-240V~** as per Fig 5. Tighten the screw terminals to secure the cables. **Replace the cover and re-screw it to clamp the cable.**

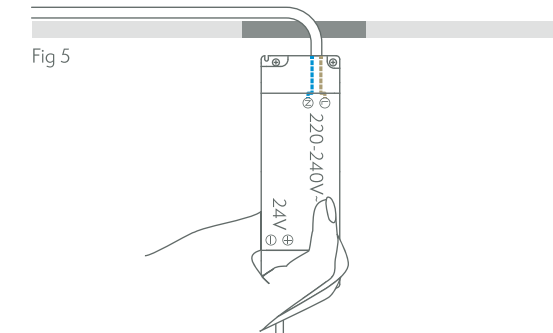


Fig 5

## 6. Installing Zuma

Place power supplies in the ceiling.

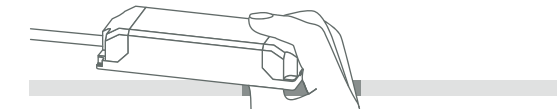


Fig 6



**IMPORTANT:** For the best sound quality, secure the power supply to a safe location in the ceiling cavity. Ensure there are no slack cables or objects which could vibrate in the ceiling. It is recommended you follow local legal requirements and regulations when doing so.

Lift the unit out of the box as per Fig 8.

**DO NOT PULL THE KEYS OUT AS PER FIG 7 RISK OF INJURY**

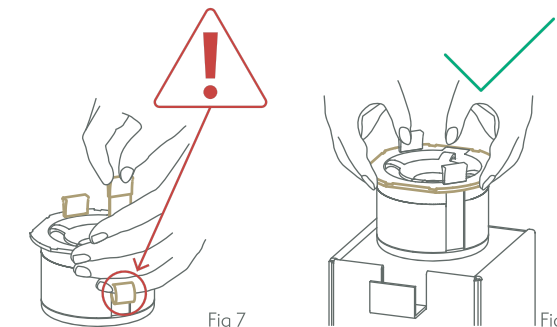
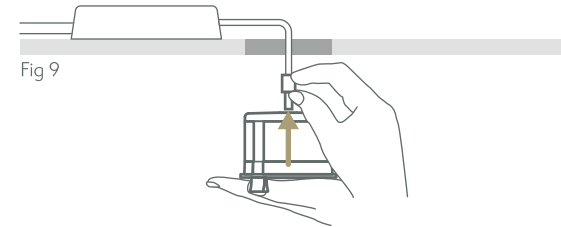


Fig 7

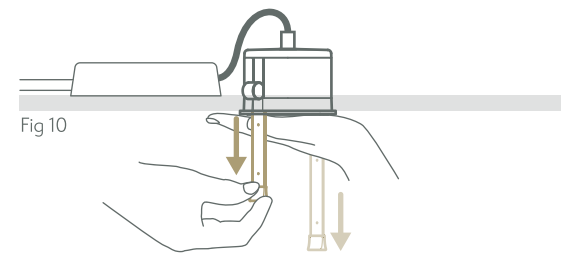
Fig 8

## 7. Connecting Zuma

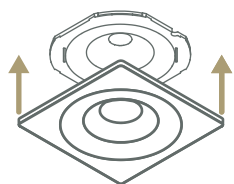
Attach the power supply unit connector to the Zuma unit.



Hold the Zuma unit to the ceiling and remove both keys gently to secure it to the ceiling. Please retain at least one set of keys after completing your install.



Attach the bezel and check orientation.



## 8. Download Zuma app

The Zuma app will walk you through connecting your Zuma units to your Wi-Fi network and managing your Zuma units.



Search for Zuma on the App Store or visit: [www.zuma.ai](http://www.zuma.ai)

Launch the app and follow the steps to install and configure your Zuma units.

For connecting other services including Alexa, please follow the instructions within the app.

## 9. Switch on power

Once instructed to do so in the app, power up your first room at the consumer unit and light switch. The main LEDs will turn on.

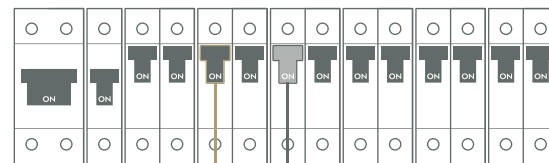


Fig 12

First room  
Second room



**IMPORTANT:** If the main LED of any Zuma unit doesn't turn on, re-check the wiring for that unit.

Configure the Zuma units in your first room when prompted to do so by the app, then move on to the next room.



**IMPORTANT:** Once you turn on the power, you will have 15 mins to configure your Zuma units. If this time lapses and you have not configured your Zuma units, please refer to instructions in the app.

Congratulations on configuring your Zuma units. Now you're ready to control your lights and play music.

## 10. Can we help?

For additional help and to get the most from your Zumas, please visit [www.zuma.ai/help](http://www.zuma.ai/help) or email us at [help@zuma.ai](mailto:help@zuma.ai)

Alternatively, scan the following QR code to watch our easy to follow support and installation videos.



The Wi-Fi CERTIFIED logo is a registered trademark of the Wi-Fi Alliance. Wi-Fi Certification provides assurance that the device has passed the interoperability test conducted by the Wi-Fi Alliance, a group that certifies interoperability among wireless LAN devices.

# ZUMA

## Installer Guide

Zuma Luminaire

ZML-01

To review your warranty coverage, please visit [www.zuma.ai](http://www.zuma.ai).

© 2021 ZUMA Array Limited or its affiliates.

Zuma and all related logos are trademarks of Zuma Array Limited or its affiliates.

The registered office of Zuma Array Limited is:

5 Garden Walk, London, United Kingdom, EC2A 3EQ.

