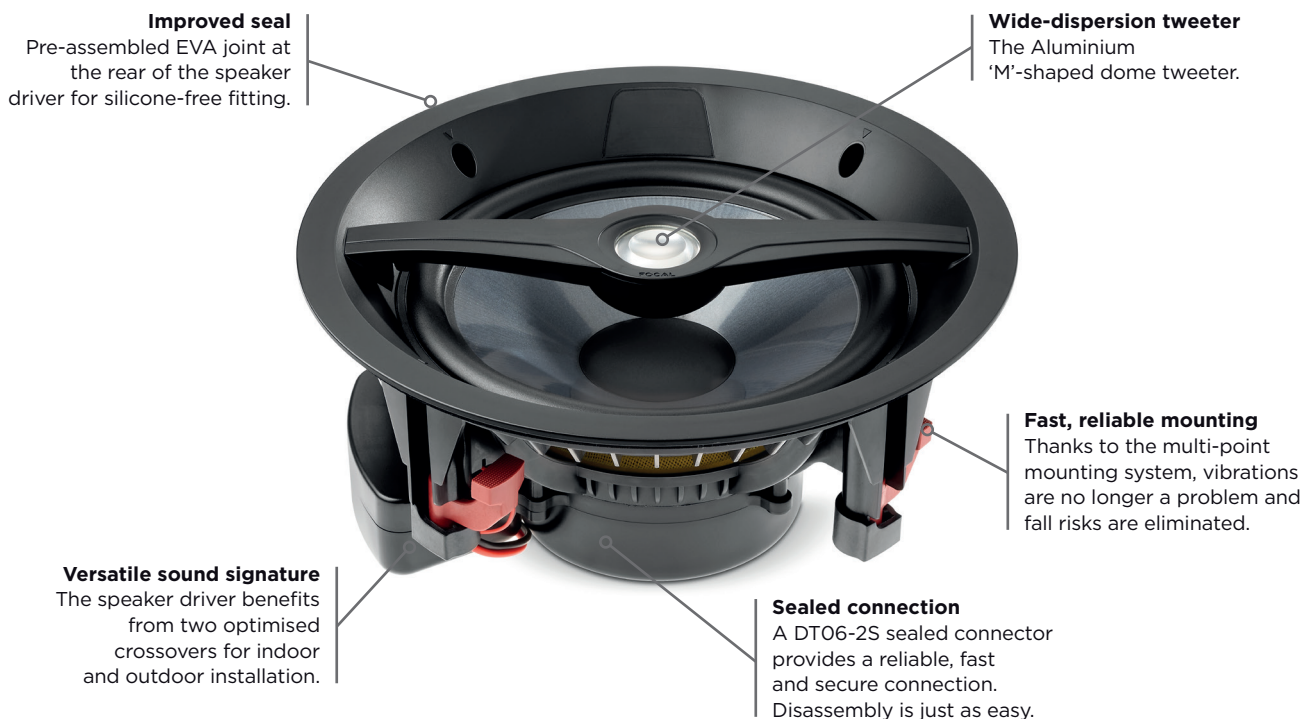


LITTORA 200 ICW8

Product sheet

Compact and high-performance, this 2-way speaker driver is perfect for covering any space exposed to environmental constraints. Its design, originally intended for a marine application, lends it a faultless longevity and robustness while meeting Focal's internationally renowned standards. In yachting, humid spaces or outdoors, Littora 200 ICW8 delivers a generous bass, and is the perfect compromise for intensive use and discreet integration.



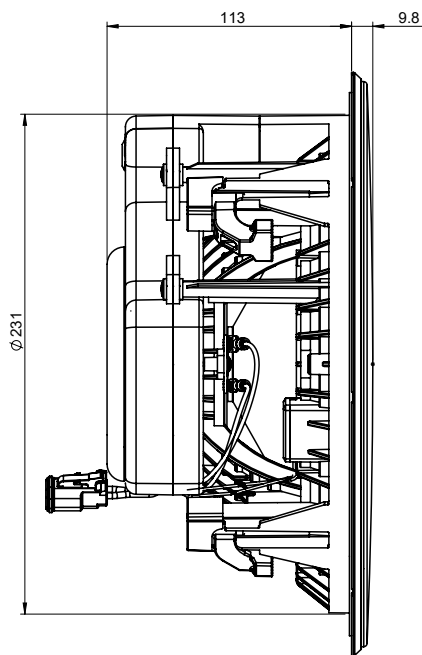
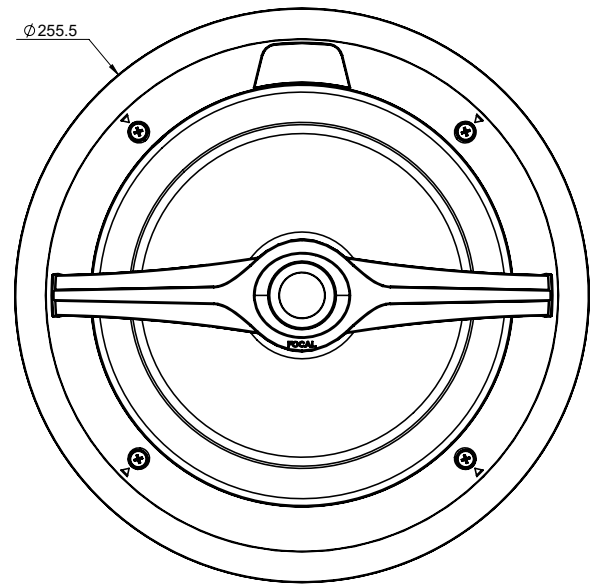
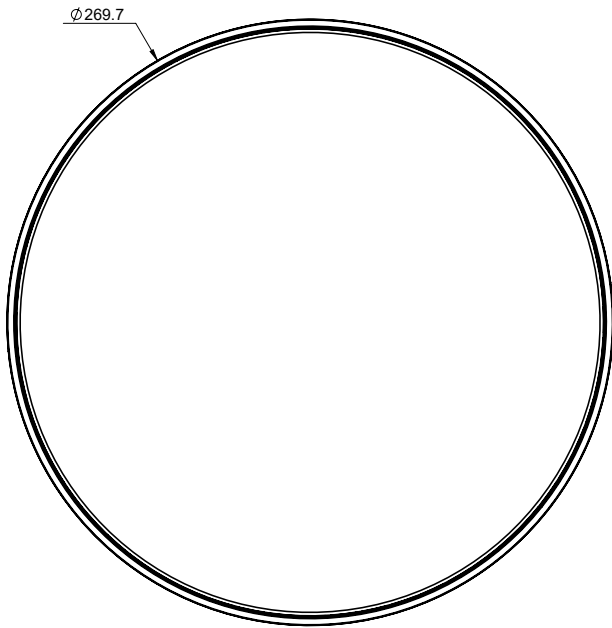
Technical specifications

Type of speaker	LITTORA 200 ICW8
Diameter	8"
Recommended amp power	25 - 150W
Nominal impedance	8 Ohms
Minimal impedance	4.2 ohms at 150Hz
Sensitivity (2.83V/1m)	90dB
Frequency response	48Hz - 28kHz
Tweeter	'M'-shaped aluminium dome
IP certification	IP65 (ASTMB117)
Crossover setting	Indoor/Outdoor switch
Grille	Ready-to-paint aluminium
UV resistance	Yes (ASTMG53)
Operating temperatures	-25°C to 90°C
Number of mounting points	4
Connector	DT06-2S sealed
Mounting depth	4 ¹ / ₂ " (113mm)
Certifications	ROHS, ROHS 2, CHINA ROHS, REACH

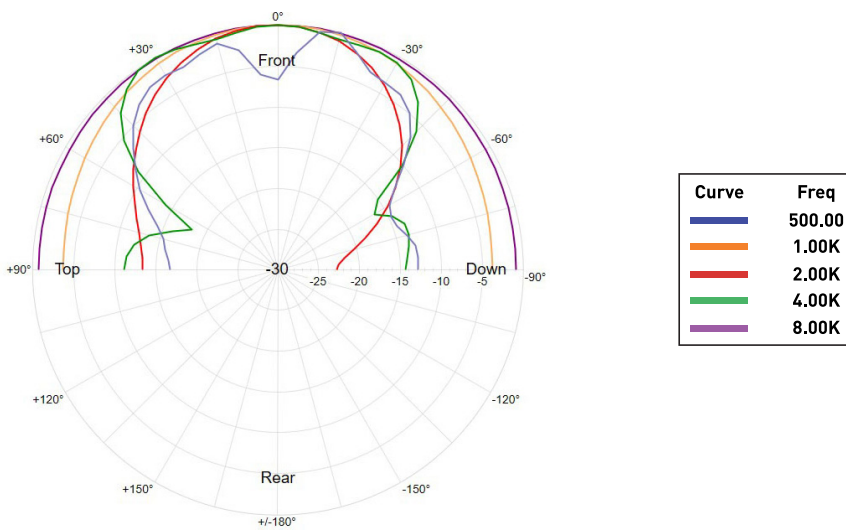
Key points

- Excellent power handling
- Developed in France
- Certified IP65 waterproofing
- Ready-to-paint white aluminium grille for limitless customisation
- Shallow mounting depth

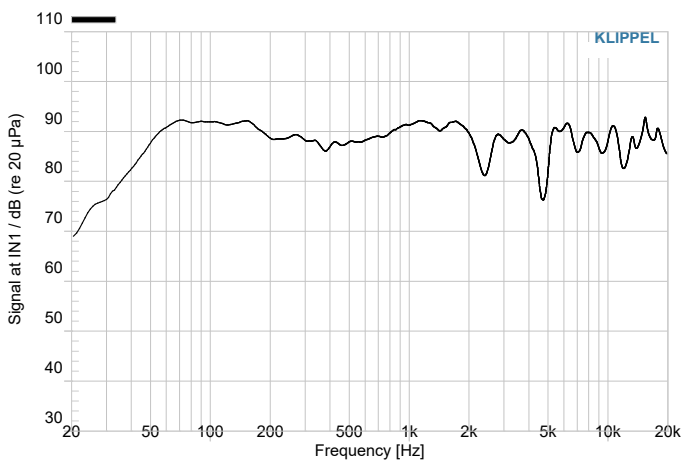
Size (mm)



Measurements Directivity



Frequency Response



Littora 200 ICW8 Speaker level Calculation Table

Littora 200 ICW8	Nominal sensitivity		
	1m	2m	5m
Power/Distance			
1W (2.83V)	90dB	84dB	76dB
20W (12.6V)	103dB	97dB	89dB
50W (20V)	107dB	101dB	93dB
100W (28.3V)	110dB	104dB	96dB

Summary	125Hz	250Hz	500Hz	1kHz	2kHz	4kHz	8kHz
NPA (2.83V/1m)(dB)	91	90	90	90	89	90	91
Aperture angle at -6dB	180°	180°	180°	180°	120°	60°	100°