

lifetime limited warranty

Your Drive brand product is warranted to be free of defects in materials and workmanship for the lifetime of the original consumer purchaser.

This device was built to exacting standards and carefully inspected prior to shipment. This Lifetime Limited Warranty is an expression of our confidence in the materials and workmanship of our products and our assurance to the consumer of years of dependable service.

In the event of a defect covered by this warranty, we will, at our option, repair or replace the device.

This warranty does not cover device failure due to owner misuse or negligence, or normal wear and tear. The warranty does not extend to non-durable components, such as rubber accessories, casters, and grips, which are subject to normal wear and need periodic replacement.

If you have a question about your Drive device or this warranty, please contact an authorized Drive dealer.



© 2006 Medical Depot, Inc. All rights reserved.
Drive is a trademark of Medical Depot, Inc.
Port Washington N.Y. 11050 USA Made in USA

plastic heavy duty
transfer bench



EU Authorized Representative
Drive Medical LTD
Ainley's Industrial Estate
Elland, West Yorkshire,
United Kingdom HX5 9JP

www.drivemedical.com

drive
WWW.DRIVEMEDICAL.COM

www.drivemedical.com

drive
WWW.DRIVEMEDICAL.COM

assembly instructions

1. Remove contents from carton.
2. Lay transfer bench upside down on a flat surface.
3. Attach leg with the large suction cup by depressing the brass push pin and inserting into the receptacle. Repeat for second leg (Figure 1).
Note: These legs are inserted into the same side that the arm support will be.

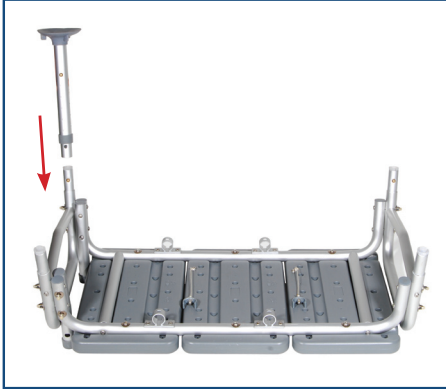


figure 1

4. Attach leg with small rubber tip by depressing brass push pin and inserting into the receptacle. Repeat for second leg (Figure 2).



figure 2

5. To assemble backrest, insert pole into backrest support and lock in place using attached locking collar. Repeat for second pole (Figure 3).

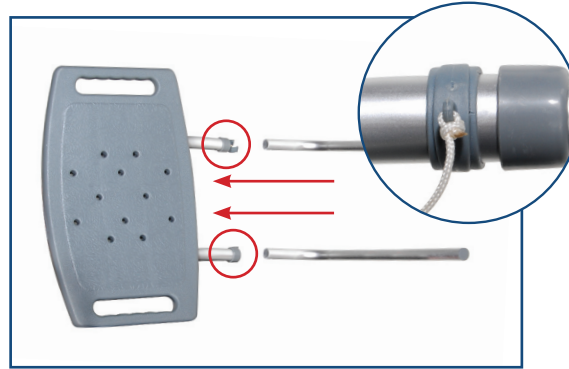


figure 3

6. Insert backrest into base by sliding supports through both receptacles and locking in place using attached locking collars,
Note: backrest must go through both sets of receptacles to become secure (Figure 4).

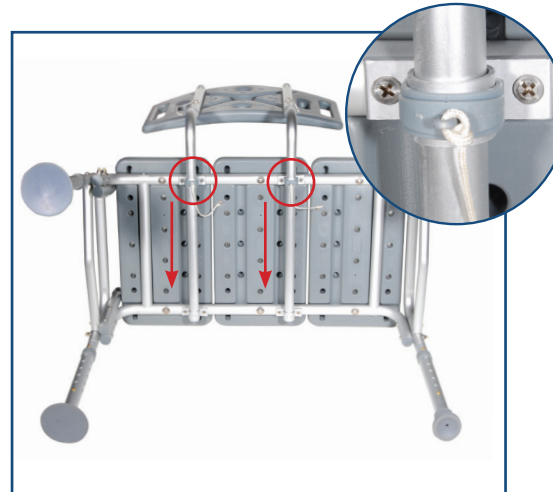


figure 4

7. Turn transfer bench right-side-up. Attach armrest by depressing brass push pins and sliding into the arm receptacle on the side of the bench. Make sure the arm arcs outward, not inward (Figure 5).



figure 5

NOTE: Back support is reversible to accommodate left or right tub entry.

8. Place legs with suction cups into bath tub.
Note: Pull Tab on the suction cup to release from the tub.
Adjust legs to the need of the patient.
The transfer Bench is best used when the bench is level.

