

strands®

-lighting division

MANUAL

CRUISE LIGHT STROBE CONTROLLER

INCOMING CABLES

RED - Positive (+)

BLACK - Ground (-)

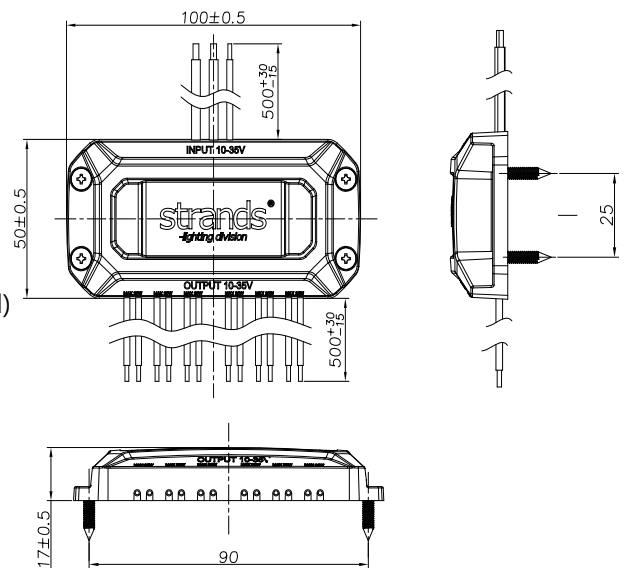
YELLOW - Pattern selection

OUTGOING CABLES

6 CHANNELS

RED - Positive (+) (Maximum 30W/channel)

BLACK - Ground (-) (not needed if light is connected to ground)



PATTERNS

1. All single flash
2. All double flash
3. All quad flash
4. Channel 1, 3, 5 alternating with 2, 4, 6
5. 1, 3, 5 / 2, 4, 6 alternating double flash
6. 1, 3, 5 / 2, 4, 6 alternating quad flash
7. 1 >>> 6, single (1channel lit at a time)
8. 6 >>> 1, single (1channel lit at a time)
9. 1 >>> 6, double (2channels lit at a time)
10. 6 >>> 1, double (2channels lit at a time)
11. All patterns random, ~13seconds on every pattern
12. Steady on

READ THIS BEFORE INSTALLATION

READ ALL INSTRUCTIONS AND STUDY DIAGRAMS BEFORE INSTALLATION!

LEGAL MOUNTING

Check with state or local authorities for laws governing usage and proper mounting of your new product.

TAKE CARE OF YOUR PRODUCT

Keep the product clean. Dirt may shorten the products lifetime.

WARNING!

Do not use higher volts than the product description states.

Do not overload channels with lights consuming more wattage than each channel is intended for.

Part no. 270490

Contact us if you need support: support@strands.se or +46(0)320-450450



www.strands.se
www.strandseurope.com