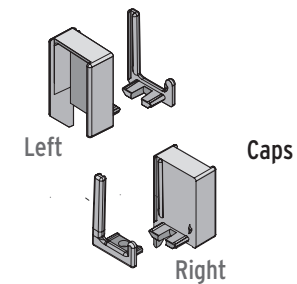
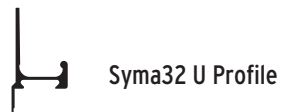


# SYMA32 LEFT/ RIGHT PARTIAL CLIP SYSTEM EXTRUSION HANDLES

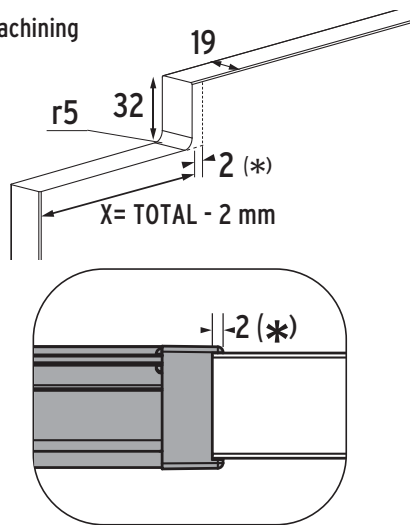
## COMPONENTS



Assemble end caps using a rubber mallet to avoid damages

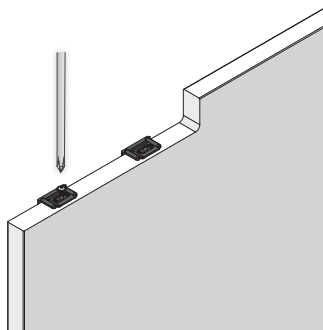
### 1 \_\_\_\_\_

Machining



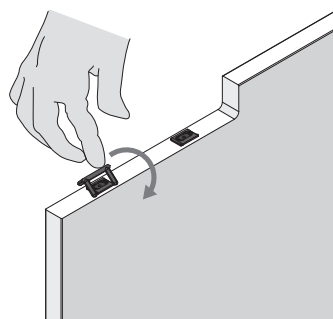
### 2 \_\_\_\_\_

Place the reference from the back side and screw.



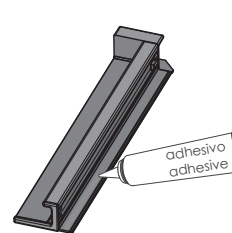
### 3 \_\_\_\_\_

Remove references



### 4 \_\_\_\_\_

Apply adhesive



### 5 \_\_\_\_\_

Place the handle from the front side and Push handle down towards the back side until you hear Clip! and slide

