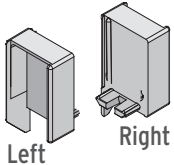


# SYMA32 INSET CLIP SYSTEM EXTRUSION HANDLES

COMPONENTS



Syma32 U Profile



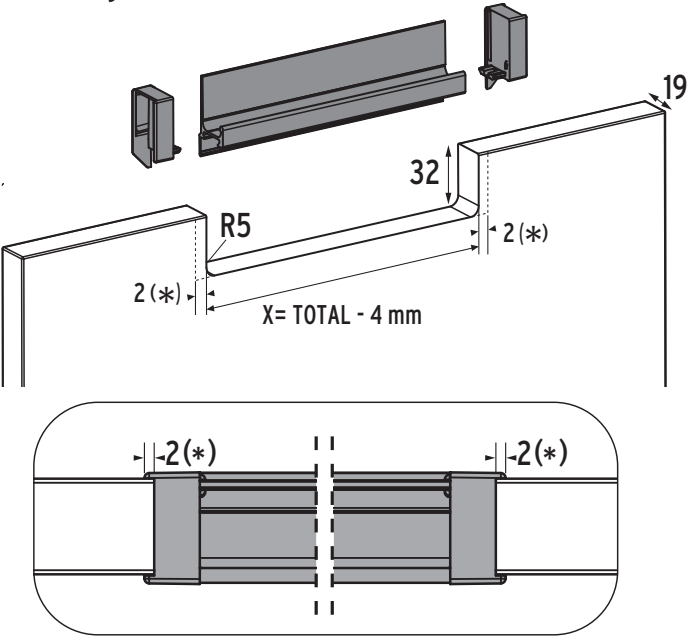
Left

Right

Caps

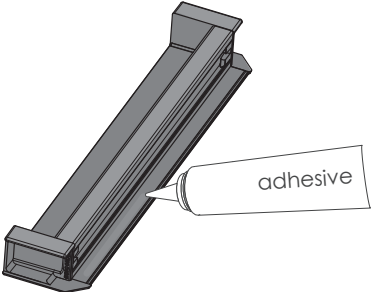
## 1 \_\_\_\_\_

Machining



## 2 \_\_\_\_\_

Apply adhesive



## 3 \_\_\_\_\_

Press downward

