

SYMA32 U PROFILE CLIP SYSTEM EXTRUSION HANDLES

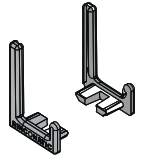
COMPONENTS



Syma32 U Profile



Clips



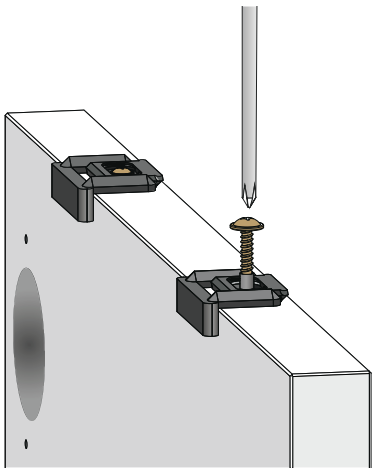
Caps

Assemble end caps using a rubber mallet to avoid damages

1

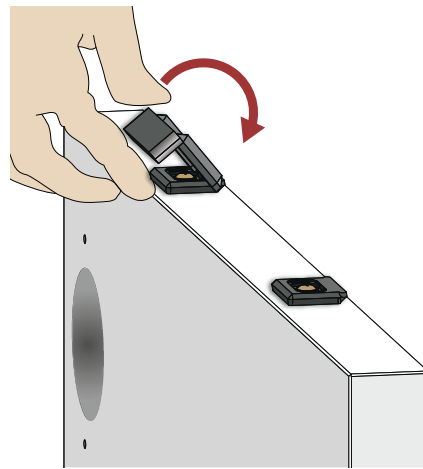
Place the reference from the front side and screw.

16mm \geq Board Width



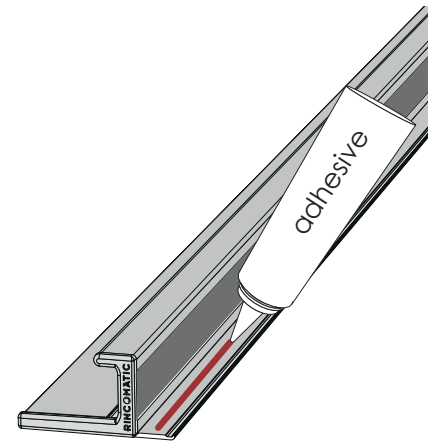
2

Remove references



3

Apply adhesive



4

Place the handle from the front side.

Push handle down towards the back side until you hear Clip!

