



GLORYFIRE[®]

SAFE INSTRUCTION MANUAL

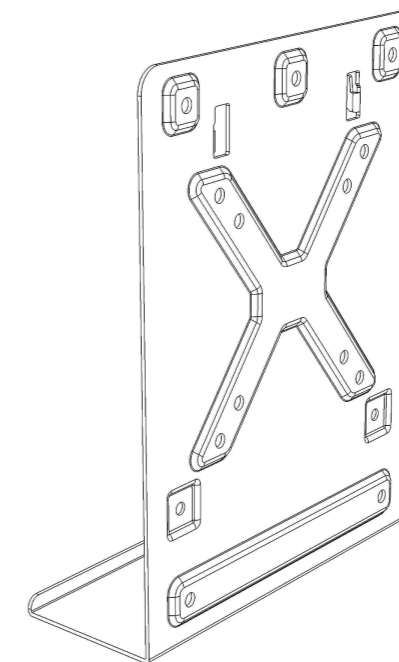
MANUAL DIRECTORY

Box Contents	1
Product Overview	2
Warnings	2
Disclaimers	3
Charging Tips	4
Battery Installation	5
Master Code Programming	6
Registering Fingerprints	7
Programming the Fingerprints	8
Delete the Registered Fingerprint	9
Low Battery Warning	9
Securing Your Safe	10
Customer Support / Warranty	11
FCC Caution	11

BOX CONTENTS



GLORYFIRE® Safe



Mounting plate

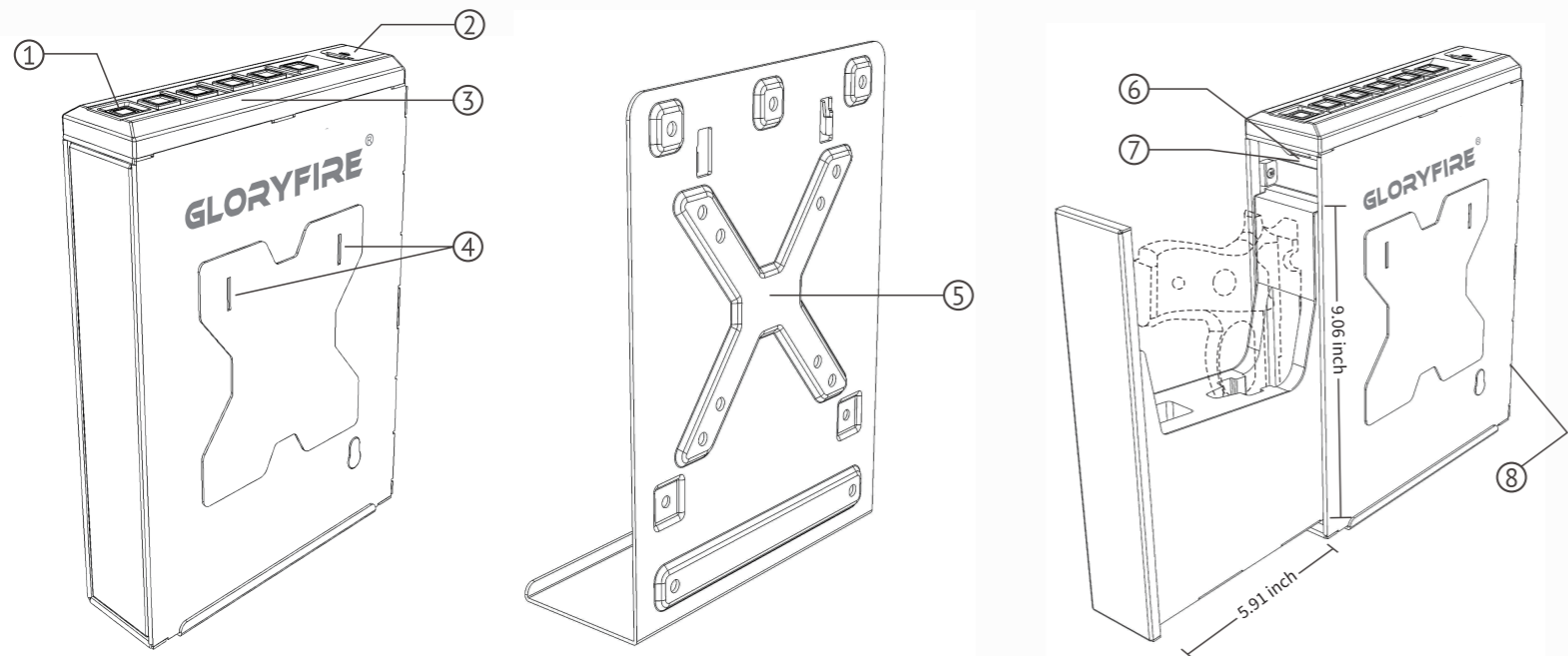




Accessories list:

- Backup Keys(2)
- USB cable(1)
- Mounting screws(4)
- Expansion tubes(4)
- Owner's Manual

PRODUCT OVERVIEW



- ① Fingerprint Scanner
- ② Key Hole Cover
- ③ Panel Keypad
- ④ Mounting Slots
- ⑤ Mounting Plate
- ⑥ PROGRAM Button
- ⑦ LED Light
- ⑧ Battery Compartment Door

WARNINGS

To prevent damage to your GLORYFIRE® unit or injury to yourself or to others, read the following safety precautions before using this unit.

DO NOT PLACE OR STORE THE BACKUP KEYS INSIDE THE SAFE AT ANY TIME.

IF THE BATTERY FAILS, YOU WILL BE UNABLE TO OPEN THE SAFE.

DO NOT expose to extreme heat or cold. Battery power may be affected.

DO NOT store loaded guns in this unit. Firearms are serious in nature and must be handled with respect. Store responsibly.

ALWAYS check to make sure the door has latched when closing; The door requires a firm press and locks automatically.

DISCLAIMERS

Neither seller nor manufacturer shall be liable for unauthorized access, any injury, loss or damage to personal property direct or consequential, arising out of the use of, or the inability to use the GLORYFIRE® Safe.

The user shall determine the suitability of the GLORYFIRE® Safe before the intended use and user assumes all risk and liability whatsoever in connection therewith, GLORYFIRE® Safe are not intended to protect against environmental hazards including fire and water.

Be sure and follow all local and state firearm laws.

DO NOT operate a firearm without proper training and experience.

Quick Access:



Manual Keys



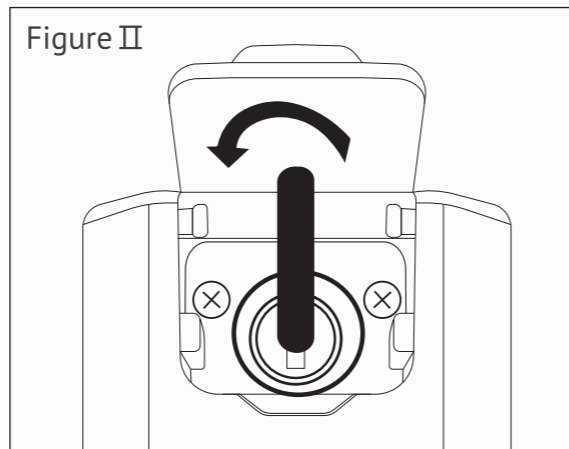
Password



Fingerprint

- To get started, remove the key cover (see Figure II) and insert one of your backup keys into the keyhole at the front of the safe. Push key in and rotate the key 30 degrees counterclockwise to open the safe.

Figure II



CHARGING TIPS

To charge the safe, plug the micro-USB cable into the receiving jack located on the back side of the safe (see Figure I).

The charging kit can also function as an external power supply, which means you can open your safe even when there is no battery. Each safe box is equipped with two keys. It is recommended to keep them separately to avoid losing at the same time.

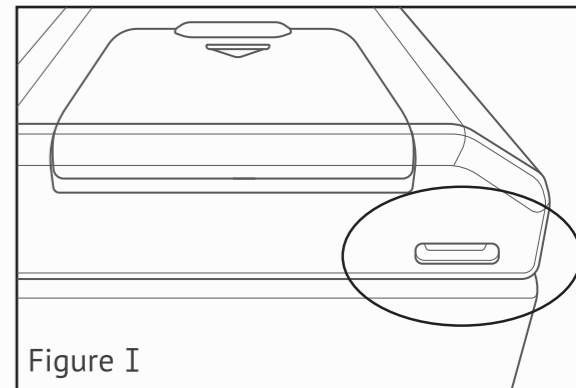
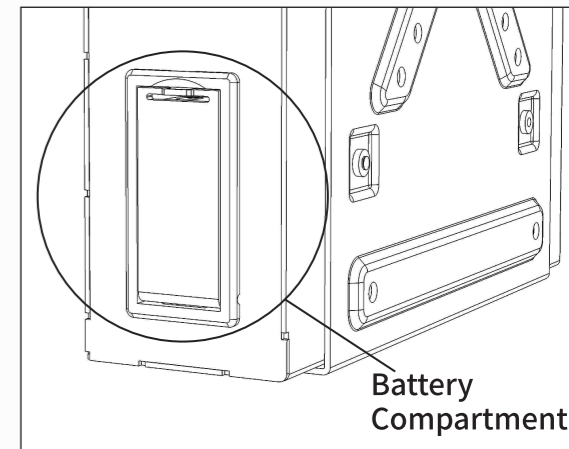


Figure I

BATTERY INSTALLATION

1. Open the battery cover and insert the 4 AAA alkaline batteries (not included) into the battery compartment. Note that pay attention to the "+" and "-" signs. The "-" end of the batteries go against the spring inside of the compartment.
2. When the batteries are inserted correctly you will hear a short beep.
3. Once you hear the beep, place the batteries cover. You are now ready to program your safe.

IMPORTANT: Use the NEW AAA alkaline battery. Using other batteries may cause unusable conditions.



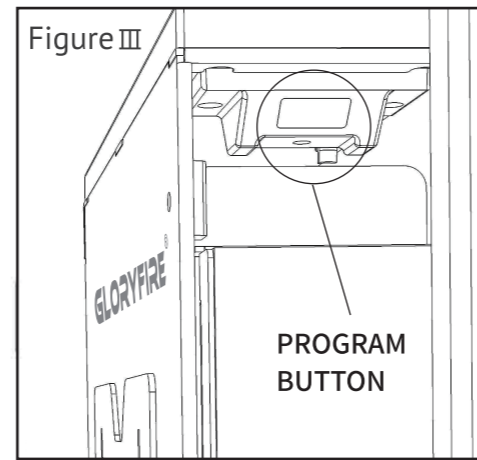
MASTER CODE PROGRAMMING

First time users should change the default code as soon as possible to prevent unauthorized access to your safe, so it should be kept confidential.

TIPS : Code Requirements

- Your code can be a minimum of 4 and a maximum of 8 digits. For your security, the safe will time out and sleep for five minutes if 5 incorrect entries are made. The safe can still be opened by using the backup keys override.
- Two keys cannot be pressed simultaneously.
- Programming a new code will overwrite your previous code.

1. Enter default code **1-2-3-4-5** on the keypad to open your safe.
2. With the safe open, press and hold the "PROGRAM" button (see Figure III), all keys (1-5) will **flash blue once with one beep**.
3. Enter your NEW master code.
4. Press and hold the "PROGRAM" button until all keys **flash blue twice with 2 beeps**, then release it. This tone confirms that the password has been **reset**. If fail, all keys will flash red 5 times with 5 beeps.
5. Now test the code.
If it is right, all keys will light up blue and the lid open. If there is no other operation, the light will turn off automatically.
If wrong, the keys will flash red 5 times with 5 beeps. It means that the new code do not work, simply repeat the above steps.

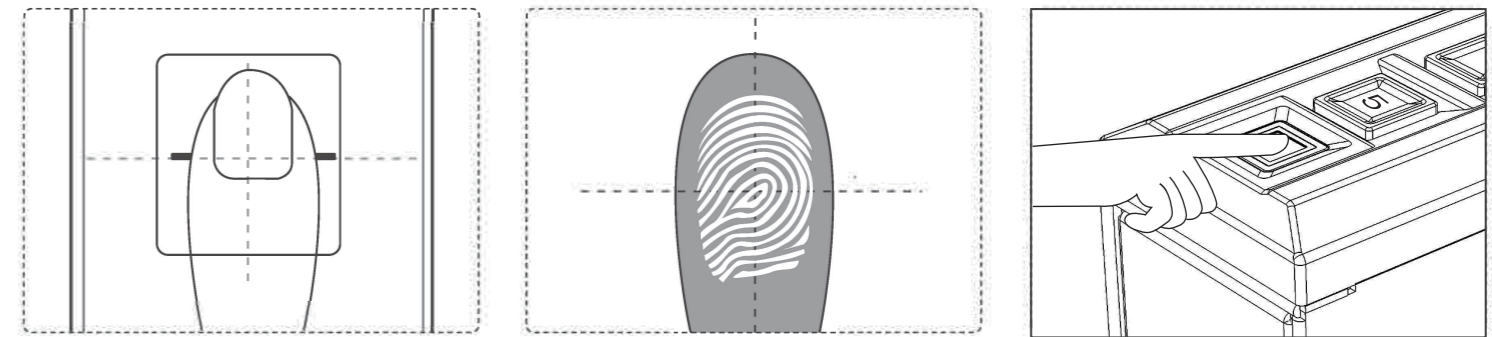


REGISTERING FINGERPRINTS

Helpful Programming TIPS:

1. Place your finger on the center of the scanner (this allows the scanner to read where most of the fingerprint detail is located).
2. Adjust your finger slightly between scans for increased accuracy.
3. Excessive moisture, lotions, or dirt will affect your fingerprint and may cause inaccurate sensor reading.
4. Try different fingers if you are experiencing difficulty. Each finger is unique, and some fingers such as your thumb, contain more readable information than others.
5. To increase your success rate, please register the same fingerprint multiple times

Figure IV



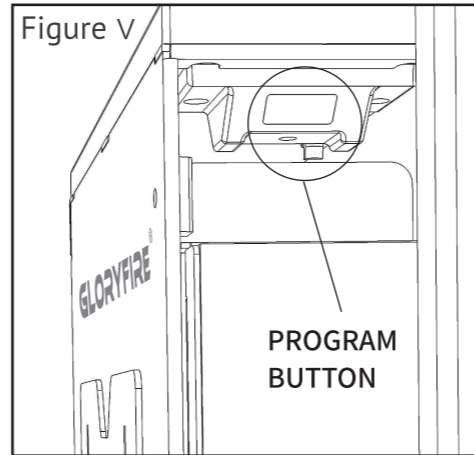
PROGRAMMING THE FINGERPRINTS

To Register Your Fingerprint, Locate the "Program" Button.

1. With the safe open, press and hold the "PROGRAM" button until all keys (1-5) **flash blue once with one beep** (see Figure V).
2. Using the helpful programming tips provided on page 7 (see Figure IV) **place your finger on the fingerprint scanner for the 1st of four scans**. Remove your finger after all keys (1-5) flash blue once with one beep. You will repeat this process four times, until all keys (1-5) flash blue twice with double beeps.
3. Now your fingerprint has been successfully registered. Close the door and test to see if the safe will open with your fingerprint. If it is right, the key will light up blue and the door open. If there is no other operation, the light will turn off automatically.

NOTE:

- If the keys flash red 5 times with 5 beeps, it means registration has failed and you must repeat the above steps.
- You cannot register more than 20 fingerprints. If it flashes red 5 times with 10 beeps when you register one of your fingerprints, it means the fingerprint storage capacity is full.
- To silence the audible sound of the electronics, hold the "1" button for 4 seconds until you hear one beep and the key flashes blue once. To unmute the keys, repeat this step.



DELETE THE REGISTERED FINGERPRINT

1. Press and hold the "PROGRAM" button until the key **flashes blue once with one beep**.
2. Keep pressing and holding until it **flashes blue 2 times with 2 beeps**.
3. Now all registered fingerprints are erased.

IMPORTANT

When only flash once with one beep, do not let go. You must hold the program button until the keys flash twice with double beeps, then release it.

LOW BATTERY WARNING

If the keys flash red 10 times with 10 times beeps when opening the safe by electronic way, your battery level is critically low and your safe needs to be replaced the 4 new batteries.

IMPORTANT

Use the NEW AAA alkaline battery. Using other batteries may cause unusable conditions.

SECURING YOUR SAFE

Mounting Plate

There are some mounting screws included to mount your GLORYFIRE® safe. A five point(a1-a5) configuration can be used for standard horizontal surface mounting.

TIPS:

- Without any tools, the mounting plate can be easily snapped to either side of the safe while it is in the unlocked state and removed in seconds.
- The mounting plate also meets **VESA standards of 75mm and 100mm(c)**.

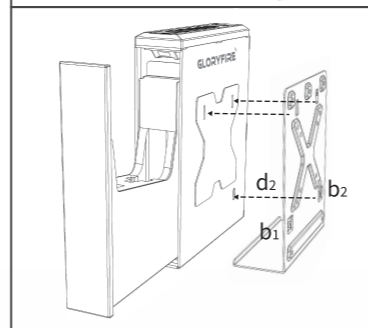
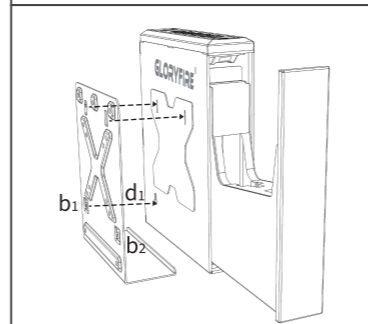
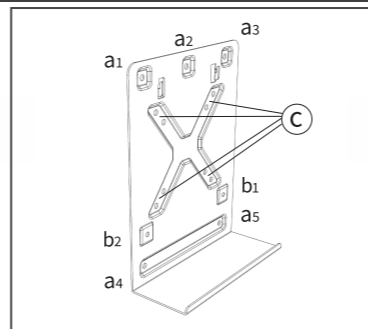
Three-step Installation Method

1. Locate mounting surface, making sure the safe will have enough clearance to open properly prior to installing.
2. Fix the mounting plate, align it with the hole, and fix the mounting plate in place and tighten it using the screws provided.
3. Locate **the two receiving slots** on the safe box, align them with the two hooks, screw the nut into **the desired hole (b1 or b2)** and tighten it. And then adjust them to appropriate positions until the box and the mounting plate are stuck.

If the mounting plate needs to be changed to **the other side of the box**, manually **unscrew the nut** and screw it into **the corresponding hole (d1 or d2)**.

One-step to Remove Safe from Mounting Plate

- Open the safe. Lift the box up until the two receiving slots and the nut hole on the box are separated from the mounting bracket.



CUSTOMER SUPPORT/WARRANTY

CUSTOMER SUPPORT

If you have any problem with your GLORYFIRE® safe that is not mentioned in this manual, we encourage you to email us: serviceteam-gloryfire@hotmail.com

FCC CAUTION

Warning: Changes or modifications to this unit not expressly approved by the party responsible for compliance could void the user authority to operate the equipment.

Notes: This equipment has been tested and found to comply with the limits for a Class B digital device, pursuant to Part 15 of the FCC Rules. These limits are designed to provide reasonable protection against harmful interference in a residential installation. This equipment generates, uses and can radiate radio frequency energy and, if not installed and used in accordance with the instructions, may cause harmful interference to radio communications. However, there is no guarantee that interference will not occur in a particular installation. If this equipment does cause harmful interference to radio or television reception which can be determined by turning the equipment off and on, the user is encouraged to try to correct the interference by one or more of the following measures:

- Reorient or relocate the receiving antenna.
- Increase the separation between the equipment and receiver.
- Connect the equipment into an outlet on a circuit different from that to which the receiver is connected.
- Consult the dealer or an experienced radio/TV technician for help.

Note: If shielded cables or special accessories are required for compliance, a statement must be included which instructs the user to employ them, for example, shielded cables must be used with this unit to ensure compliance with the Class B FCC limits.

GLORYFIRE[®]

Customer Support Hours:

Monday - Friday 9:00AM - 6:00PM(PST) Saturday - Sunday 9:00AM - 12:00PM(PST) Excluding Holidays

Hours subject to change