

## Antenna / Antena

Ref. 148830

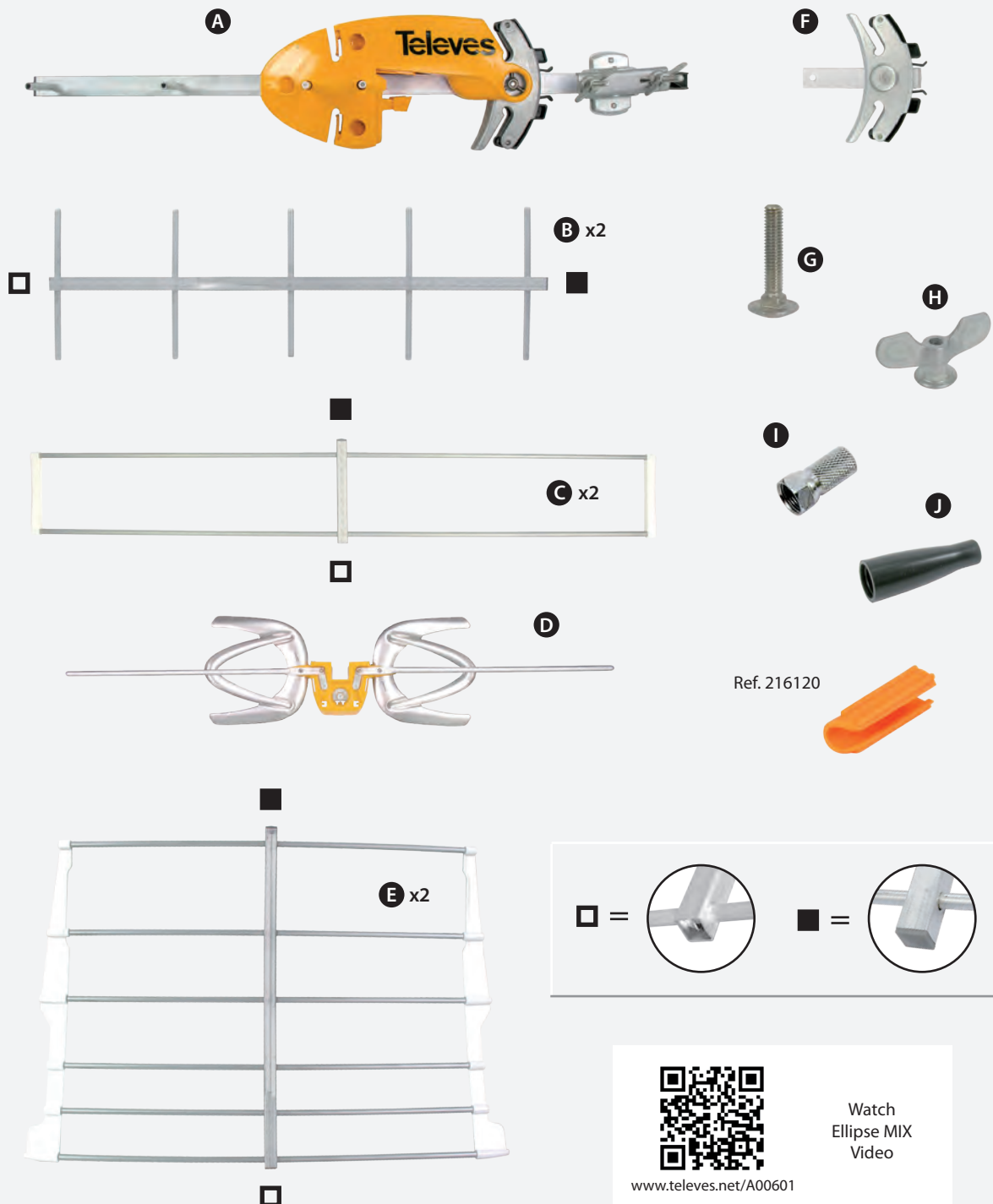
Kit: 148883

**REPACK  
READY**

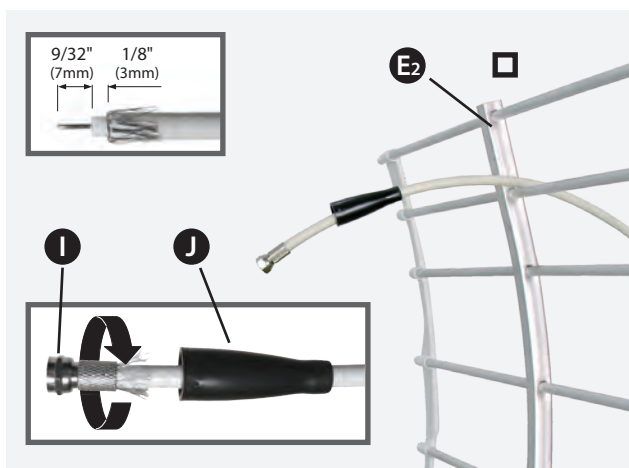
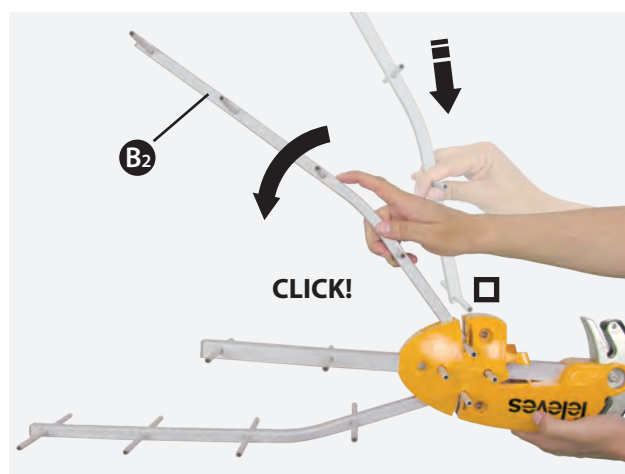
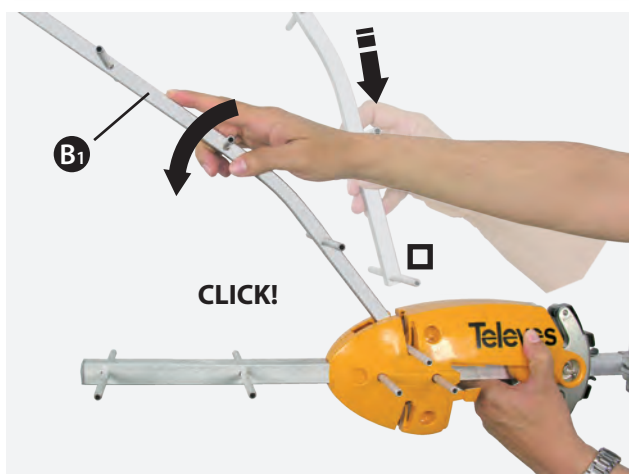
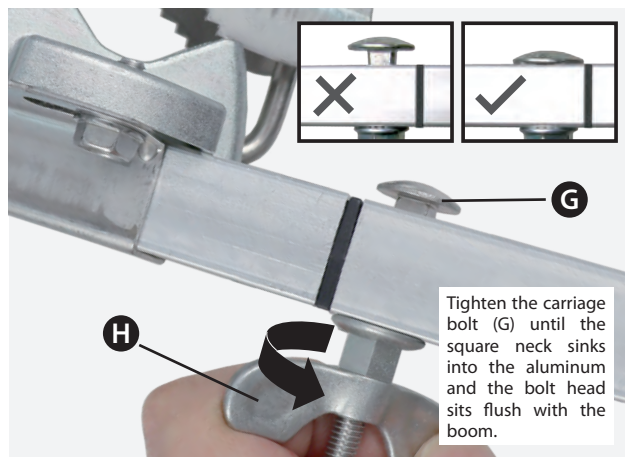
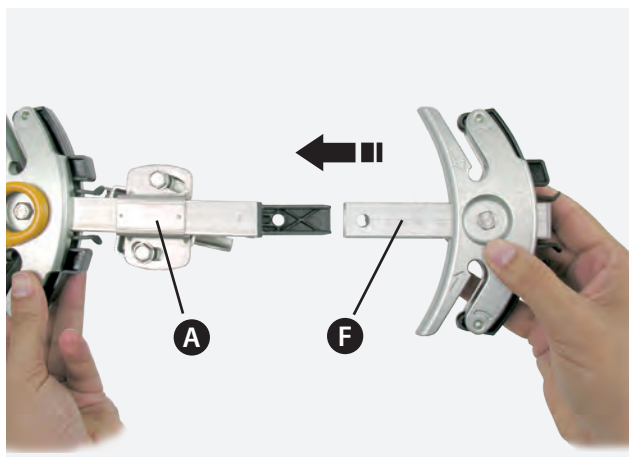
**Ellipse®** MIX

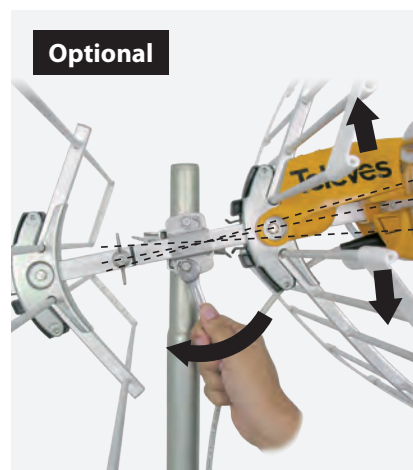
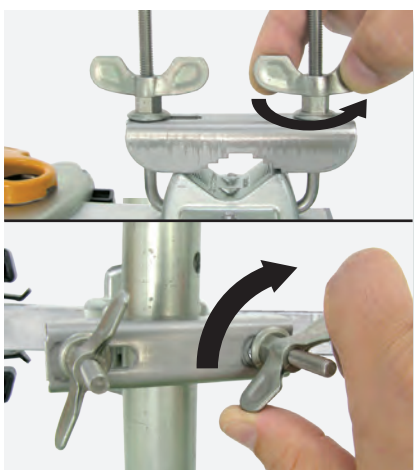
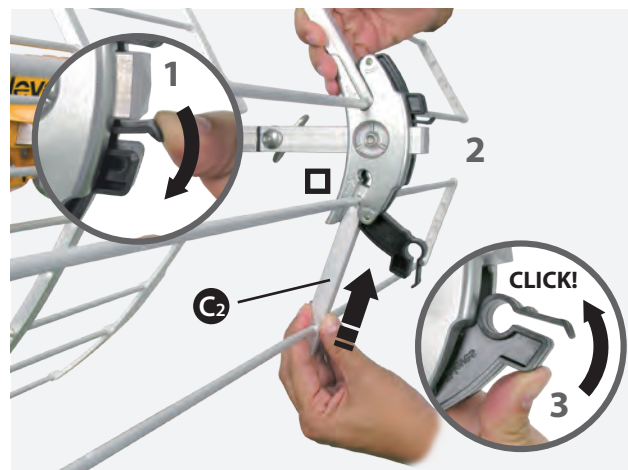
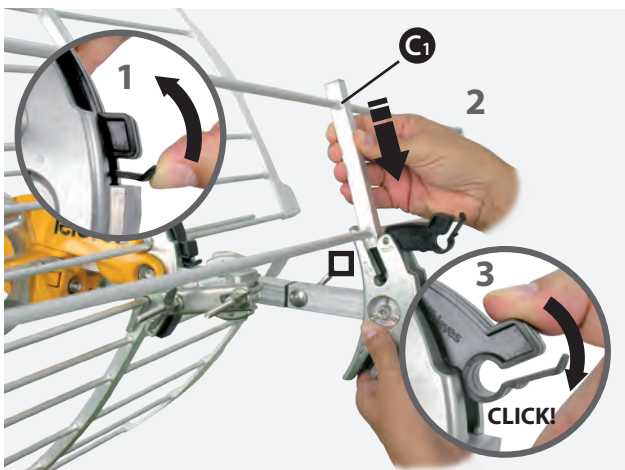
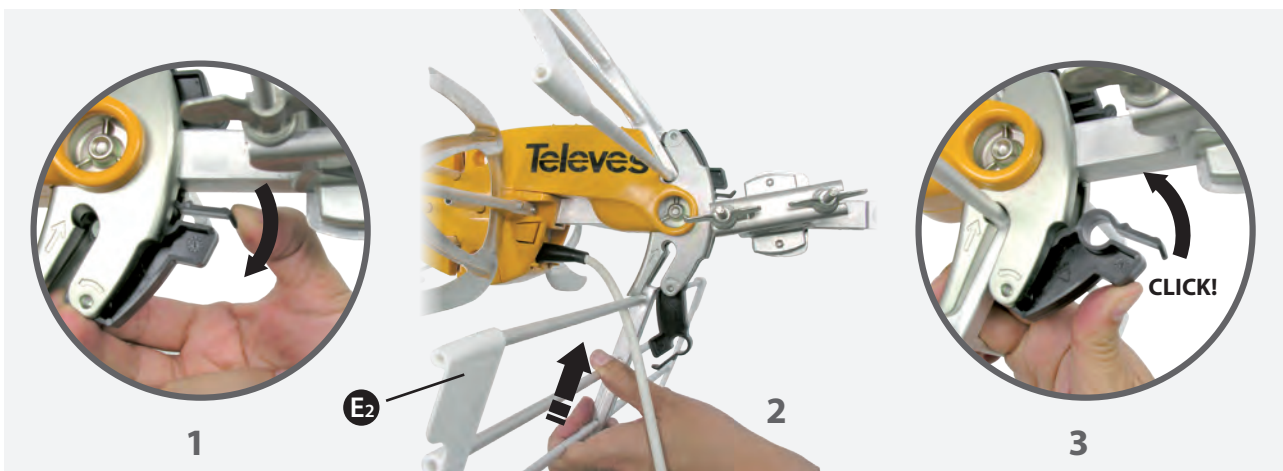
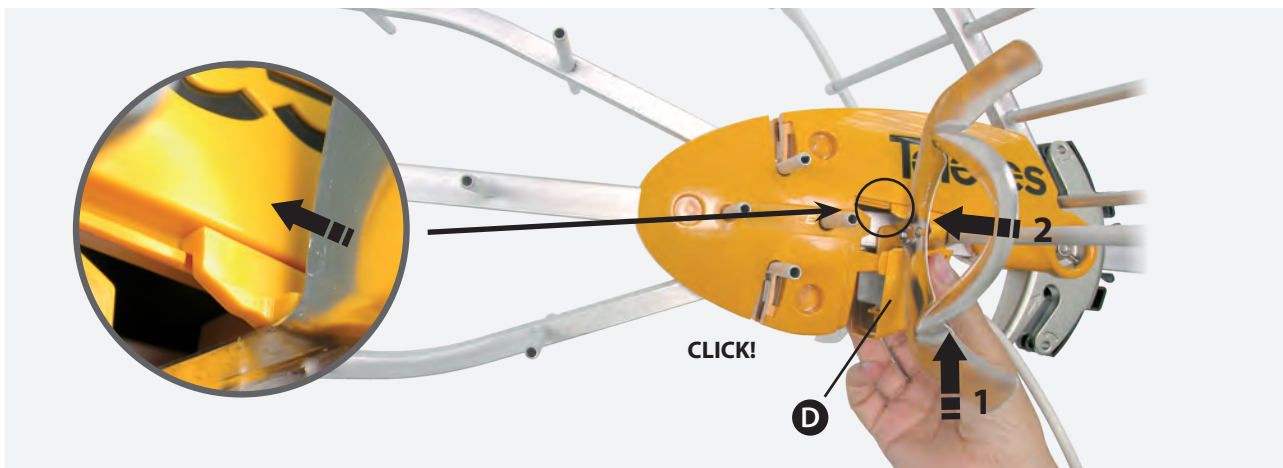
KIT	COMPOSITION
148883	Antenna 148830 + P.S.U. 550104

POWERED BY  
**T-FORCE**



Antenna mounting / Montaje de la antena



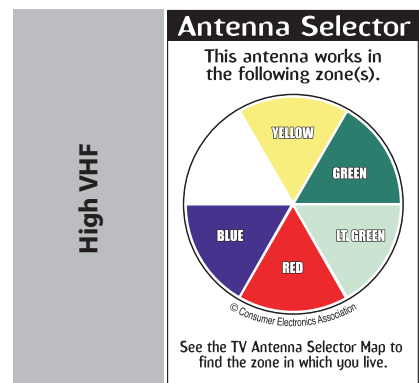
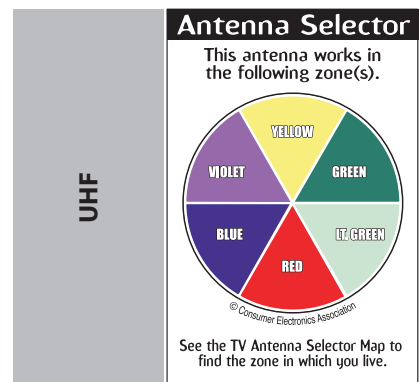
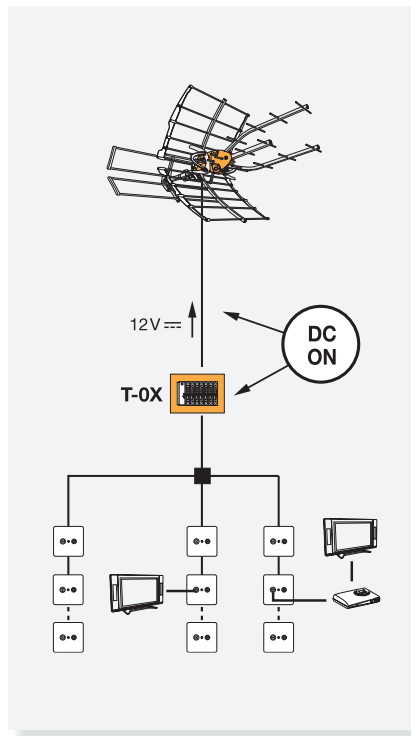
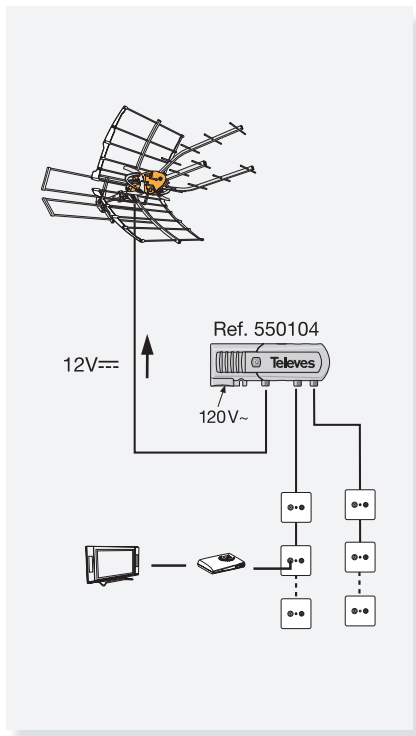


**Technical specifications of the intelligent antenna (it must be powered)**  
**Características técnicas de la antena inteligente (debe estar alimentada)**

Ref.	Ref.		148830	
Working band	Banda de trabajo	MHz	174 - 216 (CH7 - CH13)	470 - 608 (CH14 - CH36)
Mode	Modo		INTELLIGENT (BOSS ON)	
Gain	Ganancia	dBi	36.5	40
Output level	Nivel de salida		Auto <sup>(1)</sup>	
Signal level of use (recomm.)	Nivel de señal de uso (recomend.)	dBμV	< 75	
Powering voltage	Tensión de alimentación	V===	12	
Consumption	Consumo	mA	70 (max) @12V===	
Beamwidth	Ancho de haz	°	60	40
F/B ratio	Relación D/A	dB	>20	
Wind load	Carga al viento	N	96 (@ 80 mph) 132 (@ 93 mph)	

<sup>(1)</sup> - The gain is automatically adjusted according to the output level / La ganancia varía automáticamente en función del nivel de salida.

**Application examples / Ejemplos de aplicación**



**Safety Instructions:**

**LIGHTNING PROTECTION**

- ◆ If installed outdoors, be sure the antenna system is grounded so as to provide protection against voltage surges and built-up static charges. Section 810 of the National Electrical Code ANSI/NFPA70, or CSA C22.1 sections 10, 16, and 54, of the Canadian Electrical Code, provide information with respect to proper grounding of the mast and supporting structure, grounding of the antenna lead-in wire to an antenna discharge unit, size of grounding conductors, location of antenna-discharge unit, connection to grounding electrodes, and requirements for the grounding electrode (see figure and instructions).
- ◆ Mount the lightning arrester or 75 ohm coaxial grounding block as close as possible to where the 75 ohm coaxial cable download enters the house.
- ◆ The ground wires for both the mast and the download should be copper or aluminium wire, number eight (8) or larger.

- ◆ The download wire from the antenna to the lightning arrester and the mast ground wire should be secured to the house, spaced from four (4) to six (6) feet apart.
- ◆ In the case of a "ground up" antenna installation it may not be necessary to ground the mast if the mast extends four or more feet in the earth. Consult a TV serviceman for the proper depth in your location.

**WARNINGS**

- ◆ To prevent fire or shock hazard, do not expose the included power supply to rain or moisture.
- ◆ Installation of off-air antennas near power lines is dangerous. For your safety, follow the installation instructions.
- ◆ Any alteration or modification to the product or usage not in accordance with product instructions voids the warranty.

Example of antenna grounding as per National Electrical Code, ANSI/NFPA 70

