



---

**Helping you achieve your installation needs!**

---

**DirectConnect®**

is one of the largest manufacturers of products specifically for the custom installation of audio, video, security, telecom and data networking industry.

**Our extensive product line**

offers items in the categories of bulk wire and cable, connectors, interconnect cables, installation hardware, distribution panels, a/v transceivers, cameras, punch blocks, splitters, tools and wall plates—virtually everything a custom installer needs!

**Since 1996, DirectConnect®**

has offered unique products that provide solutions to everyday installation headaches. How do we come up with these ideas? By listening to you, the professional, who battles in the field and is looking for someone on the front line he can rely on.



**DirectConnect®**  
Houston, Texas 77027  
Phone 800 – 531 - 3224

*Would it make your day to know that someone is waiting to hear from you?  
We are. Your DirectConnect® representative is ready to take your call.  
Or if you prefer, contact us online at ...*

**<http://www.directconnecthome.com>**

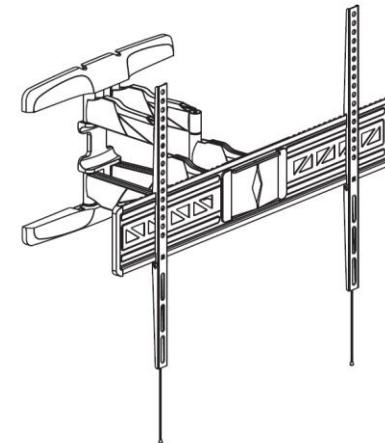
**Full Motion  
LCD/LED Bracket**



**DCA4790** .40774

---

MULTIFUNCTIONAL DOUBLE DECK CANTILEVER WALL MOUNT  
**USER MANUAL**



**FULL MOTION LCD / LED TILTING MOUNT - 800 x 600 VESA**

**EASY INSTALLATION:** Just hang up the display with Built-in Level

**SAFETY:** Lock in place with magnetic pull tabs

**MAXIMUM LOAD CAPACITY:** 132 lbs / 60 kg

**DISTANCE TO THE WALL:** 2.2" / 55mm

**TV SIZE RANGE:** 47" - 90"

**CABLE MANAGEMENT:** Integrated Management

**DISPLAY ADJUSTMENTS:** Vertical Tilt, Swirl (+/- 45°); Balance Adjustment

---

**IMPORTANT:** Product for professional installation only, please consult your installation specialist.

---

---

## Thank you for choosing DirectConnect® Products

---

### **SAFETY WARNING:**



1. *This DirectConnect® LCD/LED Wall Mount Bracket is intended for use only within the maximum weights indicated. See apparatus instructions. Use with products heavier than the maximum weights indicated may result in instability, causing possible injury.*
2. *Only someone with good mechanical aptitude, who has experience with basic building construction and fully understands this manual should install this product.*
3. *Make sure that the wall surface will safely support the combined load of the equipment and all attached hardware and components.*
4. *Never exceed the Maximum Load Capacity.*
5. *If mounting to wood stud wall construction, make sure that mounting screws are anchored into the center of the studs. Use of a stud finder is highly recommended.*
6. *Always use an assistant or mechanical lifting equipment to safely lift and position equipment.*
7. *Tighten screws firmly, but do not over-tighten. Over-tightening can damage the items, greatly reducing their holding power.*
8. *Around the mount location, there should be no cables, water lines or gas pipes, etc.*
9. *This product is only for wooden, brick, and concrete walls.*

**IMPORTANT:** Product for professional installation only, please consult your installation specialist.

---

\* This DirectConnect® is a registered trademark.

\*UL® is as registered trademark of Underwriters Laboratories.

---

---

## **DISPLAY ADJUSTMENTS**

### **VERTICAL TILT**

Function - adjusting the screen tilt to improve viewing angle/picture quality.

### **SWIVEL**

Purpose – Optimize viewing angle for off-center viewing positions.

Operation - Grasp edges of display and swivel into desired position.

Adjust swivel tension - Adjust tension with wrench.

### **±45° PAN**

Purpose - Allows display to be positioned perpendicular to wall.

Operation - Extend cantilever arm completely. Fully swivel display in desired direction. (Fig. 5b)

### **STOWING THE SCREEN**

Purpose - Allows display to be folded flat to the wall.

Operation - Grasp center pivot point of cantilever arm and edge of display.

Fold arm in half at pivot point and push display back flat against wall.

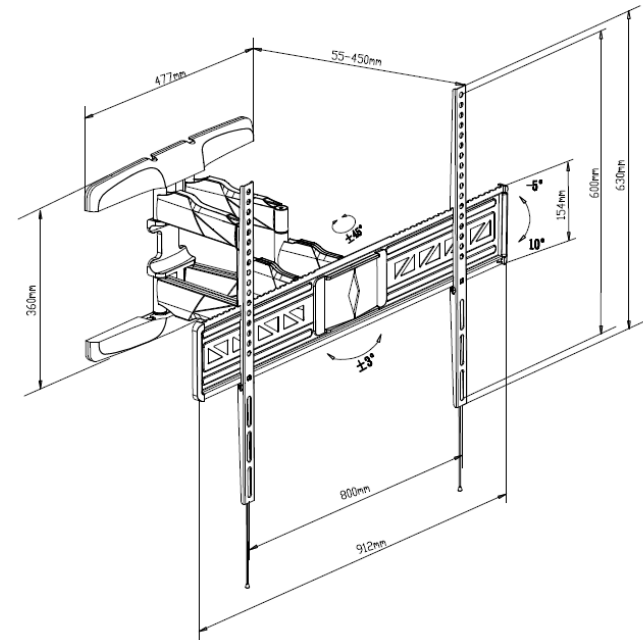


Fig 5b

**Step4: Using Cable Management**

Remove the Cable Management Clips (6/7/8) and End Clips (4) and route cords to Cantilever Arm in needed location. Clip into place as shown in Fig. 4.

**NOTE:** Make sure cords have enough slack to allow full movement of the arm.

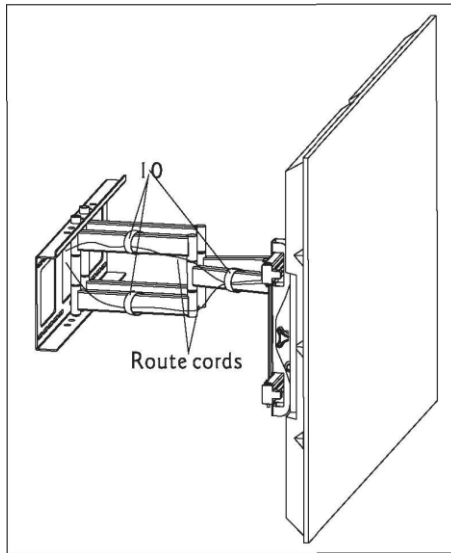
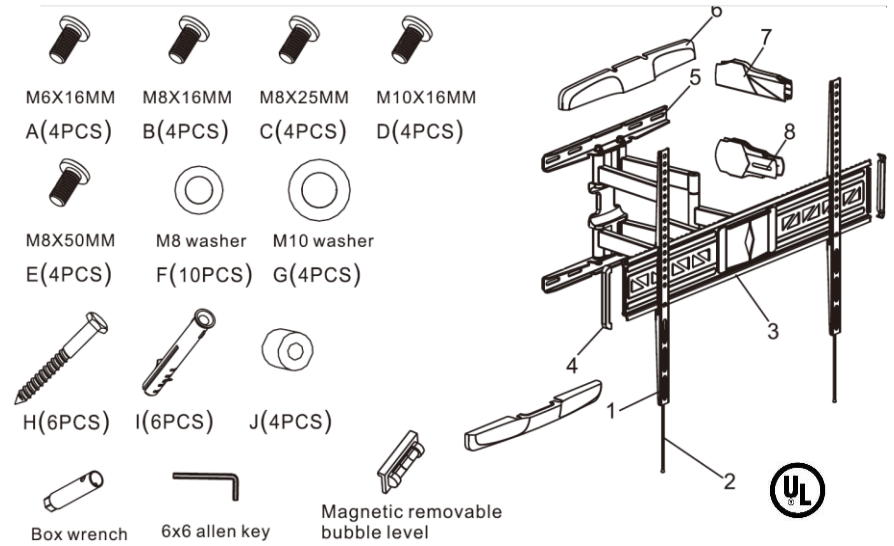


Fig 4

**HARDWARE LIST:** Actual parts appearance and quantity may differ from illustration.



ID	Quantity	Description	ID	Quantity	Description
1	2	SCREEN BRACKET	A	4	M6x 16MM BOLT
2	2	PULL STRING	B	4	M8x 16MM BOLT
3	1	CANTILEVER ARM	C	4	M8x 25 MM BOLT
4	2	EDGE CLIPS	D	4	M10x 16MM BOLT
5	1	WALL BRACKET	E	4	M8x 50MM BOLT
6	2	CABLE MANAGEMENT CLIP (TOP/BOTOM)	F	10	M8 WASHER
			G	4	M10 WASHER
7	4	CABLE MANAGEMENT CLIP (LONG ARMS)	H	6	LONG BOLT
			I	6	WALL ANCHOR
8	2	CABLE MANAGEMENT CLIP (SHORT ARMS)	J	4	SPACER



## INSTALLATION GUIDE

We are not responsible for any personal injury or product damage due to mishandling, incorrect mounting, incorrect assembly or incorrect use of this product

**NOTE:** The supplied wall mounting hardware is not for use on steel stud walls or cold cinder block walls. If you are uncertain about the nature of your wall, please consult a qualified contractor. If the hardware you require is not included, please contact your local hardware store.

**CAUTION:** This DirectConnect® LCD/LED wall mount bracket is intended only with the maximum weights indicated. See apparatus instructions. Use with products heavier than the maximum weights indicated may result in instability, causing possible injury.

### **Step 1:** Attach bracket to TV.

Check your TV manual to confirm the diameter of bolts to be used or choose appropriate bolts, spacers and washers according to size, height and position of the holes on your TV for installing the bracket at the back of display. Adjust two brackets to equal heights and level. Once aligned, tightly secure the bolts. See page 5 - 7 of these instructions for examples.

For correct installation, make sure that the hook of every bracket faces down. Use selected bolts, spacers and washers for installing bracket at the back of display.

**IMPORTANT:** Don't force the bolt into the hole, which may damage equipment and injure persons. Don't use electric drill to fasten any bolts.

### **Step 3:** Hanging Display

First lift the bracket-mounted display over the wall mount. And then hook the brackets over the top of the wall mount. Rotate the display, let the bottom of the brackets hook over the bottom of wall mount, as shown in Fig.3a.

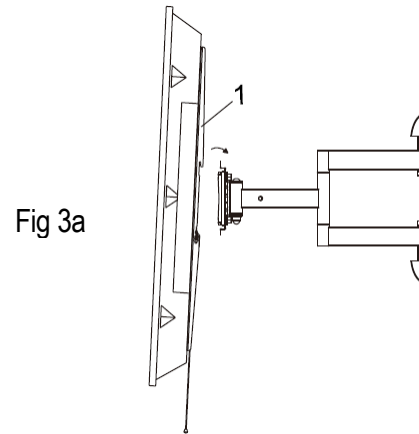


Fig 3a

Press the bracket into the wall plate to lock into place See Fig.3b. Stick the magnet pendants on the bracket to stow away.

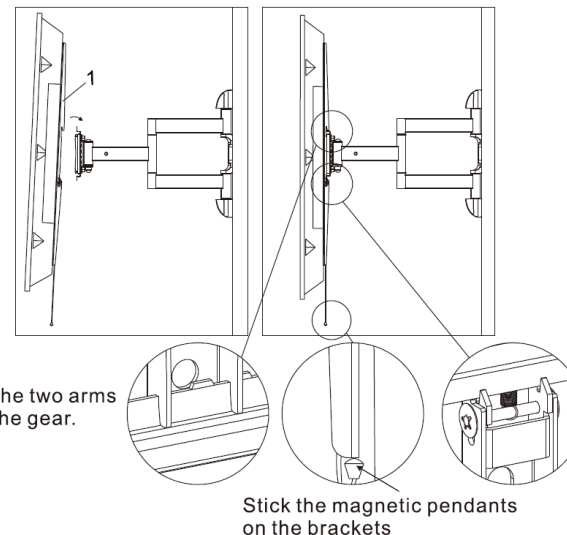


Fig. 3b

Clip the two arms into the gear.

Stick the magnetic pendants on the brackets

**WARNING:** Note that some TVs require two people to lift, as we are not responsible for any personal injury or product damage due to mishandling.

## MOUNTING TO MASONRY/CONCRETE

Determine the location where you want the display mounted on the wall. Remove LCD/LED from box. Using the wall plate as a template, mark the 6 mounting holes. Install J box as required.

**NOTE:** Electrical outlets should only be installed by a qualified electrician.

Drill 6 mounting holes with 10mm masonry bit. Mounting holes should be a minimum of 50mm deep. Insert 6 wall anchors (I) into holes, and tap flush with hammer. Mount cantilever assembly to wall using 6 long bolts (H) and washers (F/G) (Fig.2c).

## BRICK CONCRETE WALL

Use the wall mount as template to mark 6 holes locations on the wall. These holes are located at the top row of the slots and three more are located at the bottom row. The outer holes must fall to the left and right of the two holes in the middle of the mount. Please make sure these holes are level and at least 6" between any two lines.

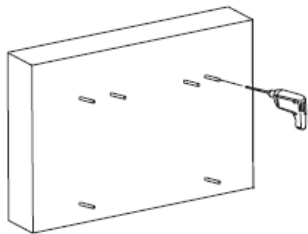


Fig 2b

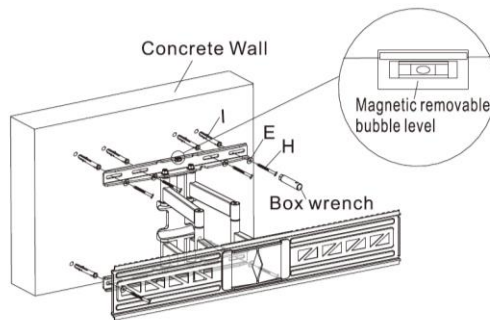


Fig 2c

Pre-drill these holes with a 10mm drill bit to at least a 50mm deep hole. Insert wall anchors (I) into each of these holes. Attach the wall mount to the wall using 6 long bolts (H) and washers (F/G).

Following examples show how to use bolts, spacers and square washers.

**A.** Some displays have vertical backs. No spacer is required. Install the bracket directly to the back of display by using bolts and washer provided. As shown in Fig 1a.

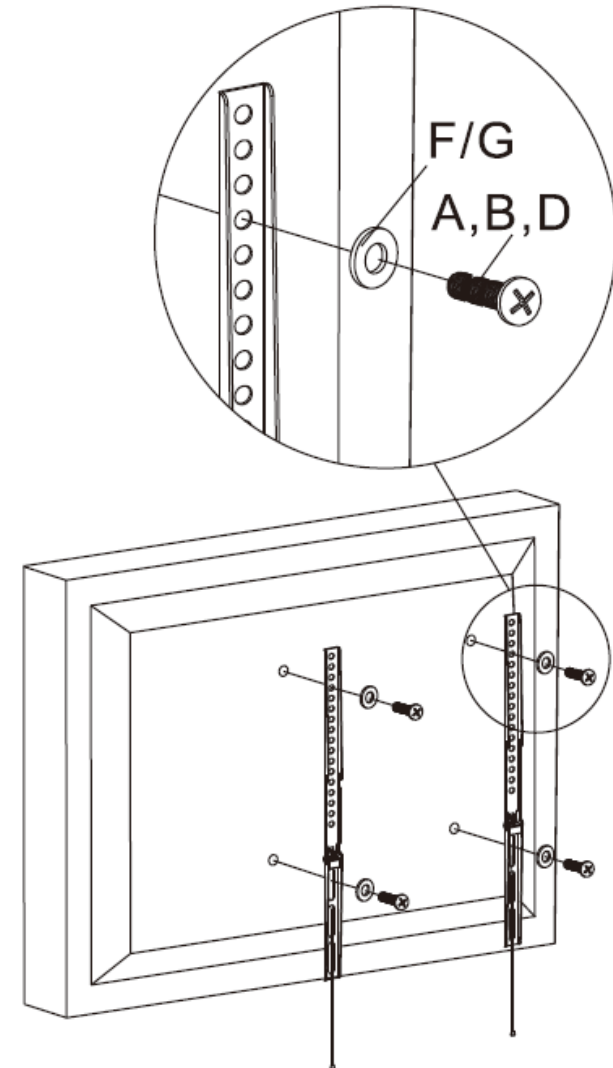


Fig 1a

**B.** Some displays have curved backs with recessed mounting lands (Fig. a).

It will require the use of a spacer. For this display, install a spacer (J) between display and the bracket. As shown in Fig 1b.

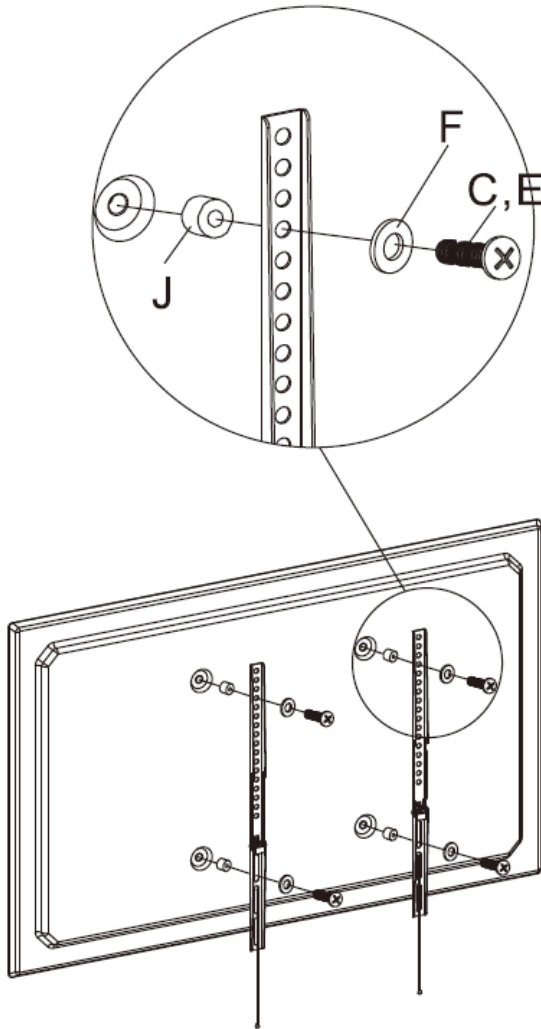


Fig 1b

## Step 2: Attach bracket to Wall

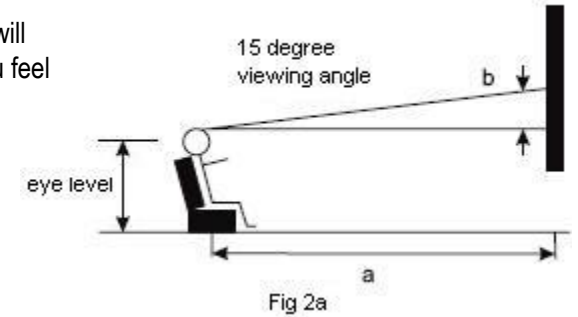
**FIRST**, determine the height of the mount. The best height is parallel to eye level of a person sitting on a couch. Normally, the horizontal distance of eye level is about 4' from ground level. The following two conditions are for determining the perfect height.

- 1) The distance between wall and couch (Fig 2a).
- 2) The distance of eye level from ground level plus the distance measured from eye level of a person sitting on couch with viewing angle of 15° (Fig 2a).

### FOR EXAMPLE:

- 1) The distance of 'a' is 5'-7', the distance of 'b' is about 1'
- 2) The distance of 'a' is 8'-1 3', the distance of 'b' is about 3'
- 3) The distance of 'a' is 14'-17', the distance of 'b' is about 4'

The perfect height of TV center will be anywhere within b, where you feel comfortable for viewing.



After determining the height, follow the installation instructions to install mount to different kinds of wall - wooden, brick and concrete.

### MOUNTING TO WOODEN STUD

Using an awl or nail, mark where the nails are located, as shown as fig.2b. Distance between two nails for fixing wall mount must not be less than 12". Pre-drill these holes with a 5mm drill bit to at least a 40mm deep hole. Please sure these holes are level and located at center. Use wall mount template to mark the location of the other three holes and drill holes. Fix the wall mount to the wall with 4 lag bolts (H) and washers (L).

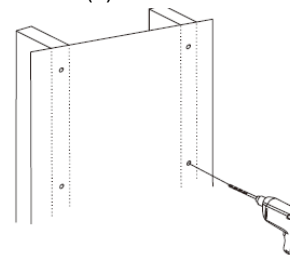


Fig 2b

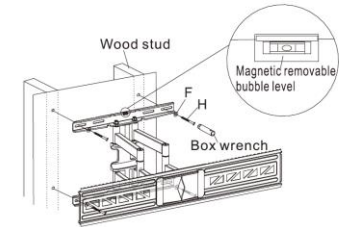


Fig. 2c