

Antenna

Ref. 108380

Kit: 108381

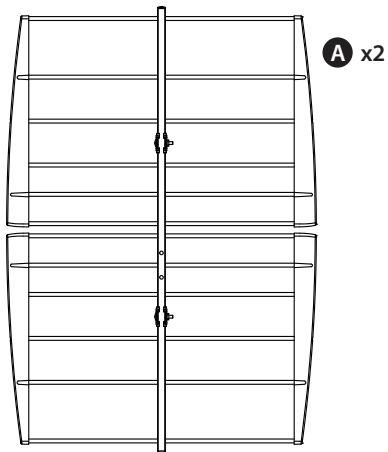


<https://qr.televes.com/A81176>

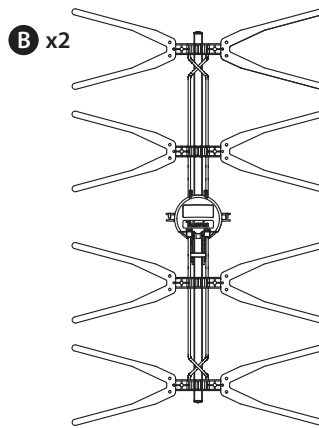
KIT	COMPOSITION
108381	Antenna 108380 + P.S.U. 550104



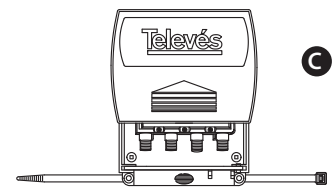
UHF Reflectors



UHF Dipole Assembly



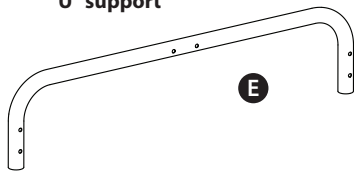
Mixer/Amplifier



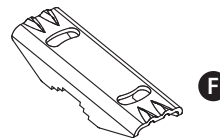
High VHF dipole element



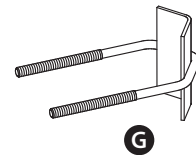
"U" support



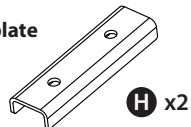
Reinforced jaw



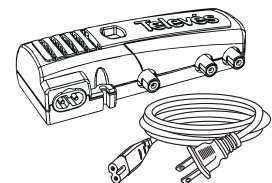
Reinforced "U" bolt



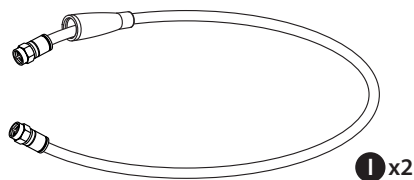
"U" plate



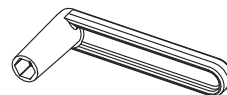
PSU 550104



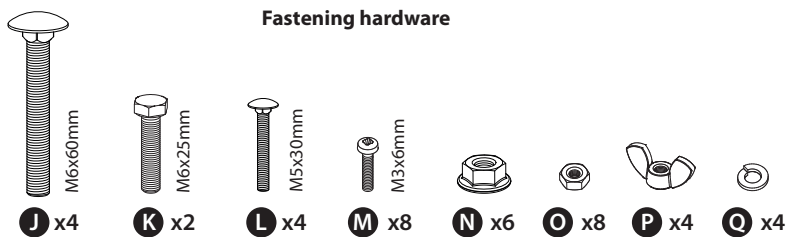
Antenna's connection cable



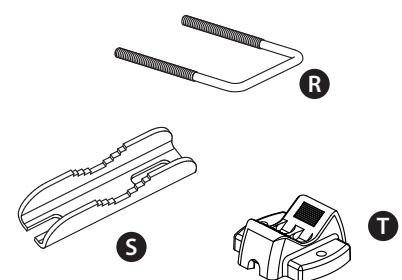
Included 10mm wrench



Fastening hardware

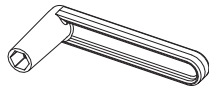


"One rotated" option clamp assemblies



Antenna assembly

NEEDED TOOLS



Included 10mm wrench



Screw driver*



Cutter*

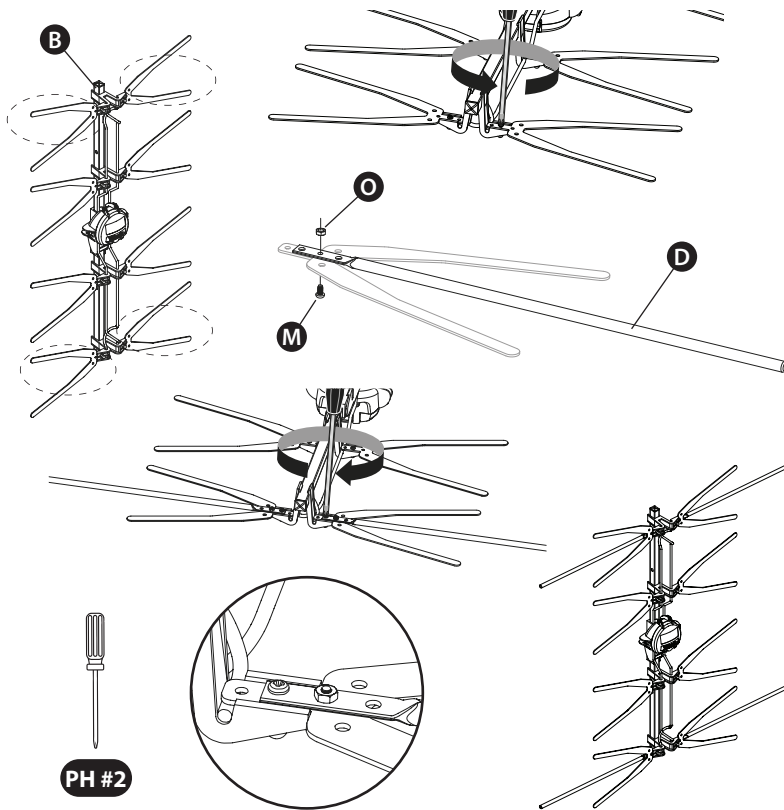


or Cable stripper*

*(NOT included)

Note: Start the assembly procedure after thoroughly checking all parts and becoming familiar with them.

1



For High VHF reception, start from here

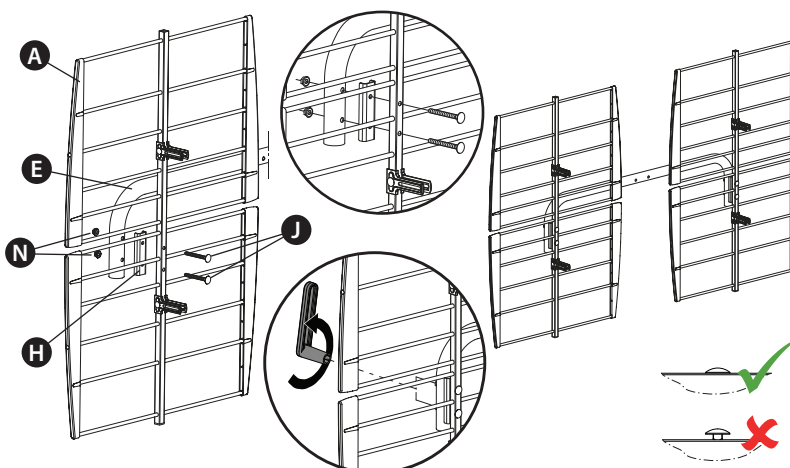
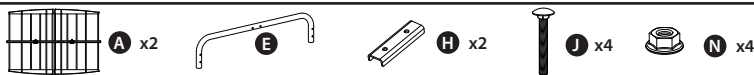
Remove the marked UHF dipole elements in both assemblies **B** by removing the screws.

Proceed to insert the High VHF dipole element **D** into the UHF element using the screws **M** and the nuts **O**.

Use the removed screws to connect again the dipole (with the High VHF elements) to the panel.

Repeat the process with the 8 elements.

2



For only UHF reception, start from here (ignore previous step)

OPTION 1 (BOTH PANELS FIXED)

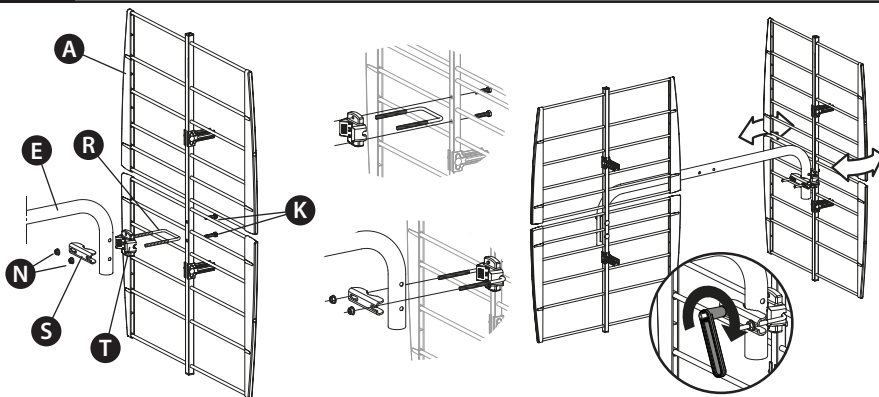
Mount the UHF reflectors **A** in the "U" support **E** by using the bolts **J**, the "U" shape plate **H** and the nuts **N**.

Make sure to put the "U" support arms **E** downwards and to orient the UHF reflector's holes in the lower position of the antenna.

Repeat the process with the second reflector. The assembly should be as it shows the picture.

Note: Tighten the nuts **N** until the square carriage head of the bolts **J** sinks into the aluminum and the heads sits flush with the boom. The bolt base will bite into the aluminum, securing the joint.

3

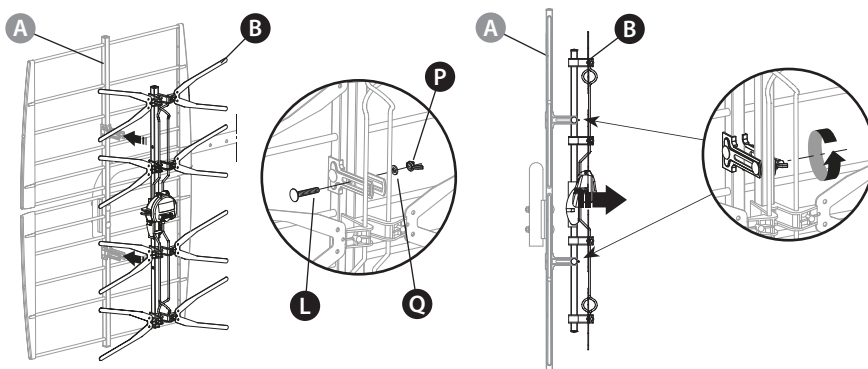


OPTION 2 (ONE PANEL FIXED, ONE ROTATED)

Mount one panel in fixed mode, as it is described in the previous step.

To assembly the second panel, first, fix the mounting clamp assembly **T** and the U - bolt **R** to the UHF reflector **A** by using the bolts **K**. Secure the panel to the arm of the "U" support **E** by using the mounting clamp **S** and the nuts **N**.

4



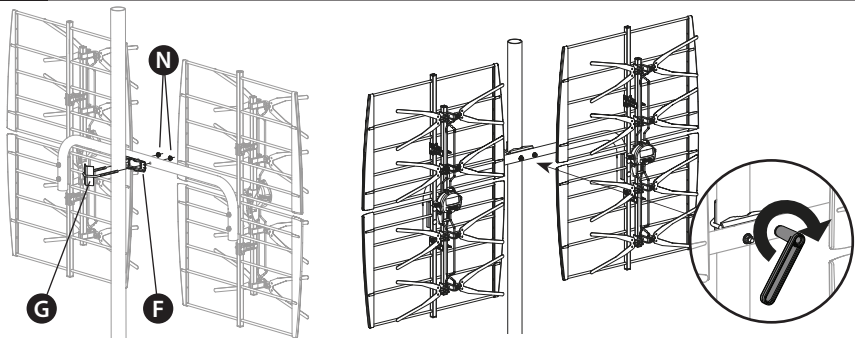
Insert the UHF dipole assembly **B**, with the connector in the lower position, into the UHF reflector's guides **A**, matching the dipole's holes with the guides.

Put the assembly together by using the bolts **L**, the washers **Q** and the nut wings **P** in both guides.

Be sure the UHF Dipole assembly **B** and the UHF reflector **A** are completely separated (the whole length of the guide), before fix and tighten the nut wings **P** of the assembly.

Repeat the same process with the second panel.

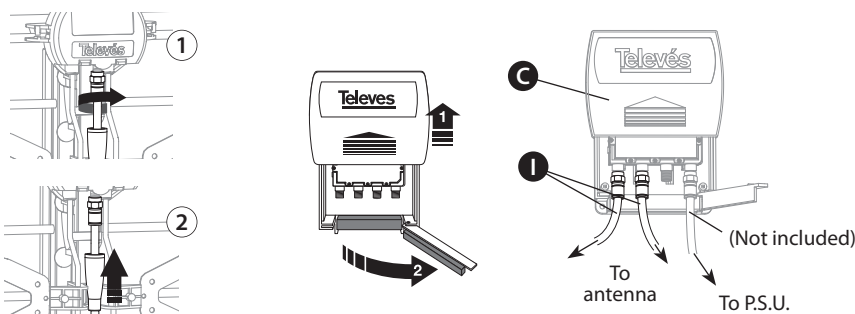
5



Fix the antenna to the mast by using the reinforced U-bolt **G**, the reinforced jaw **F** and the nuts **N**.

Before tightening the nuts, adjust the antenna to the orientation of the TV transmitter.

6

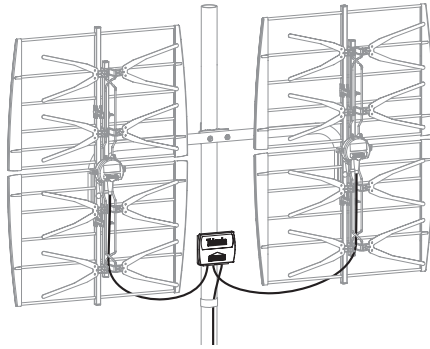


Join the two panels with the Mixer/ Amplifier **C** using the provided cables **I**. The connection between the cables and the antenna will be protected by the weatherproof boot. The connection to the Mixer Amplifier is directly made by opening the outdoor case.

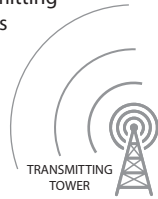
Connect the Mixer/Amplifier exit to the power supply unit using a coaxial cable (not included).

7

BACK of Antenna
Aim this end
AWAY from TV
transmitting
towers

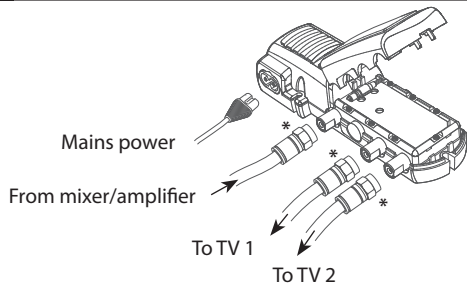


FRONT of Antenna
("><" elements)
Aim this end
TOWARDS TV
transmitting
towers



Fix the Mixer/Amplifier **C** between the two antenna panels by using the provided tie.
Find the final orientation to the TV transmitter and firmly tighten all the elements.

8



PSU 550104

*(NOT included)

Connect the included power supply to the antenna using the leftmost connector (closest to wall power) with an appropriate length of 75 ohm coax (RG-6 or larger is recommended). Make sure than any device installed between the power supply and the antenna, such as a splitter, is DC power passing. The two connectors on the right of the power supply are for connecting your TV's and/or coaxial distribution.

FINAL NOTES:

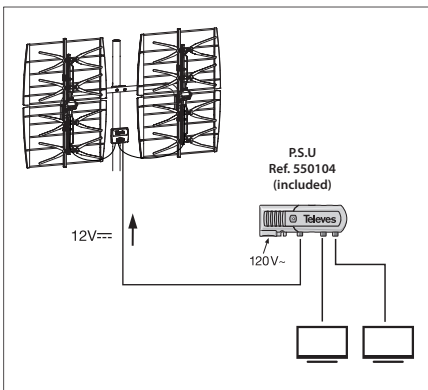
- When aiming the antenna it may be necessary to alternate adjustments between left and right several times in order to achieve peak signal reception for the largest number of desired channels.

- The antenna will work in an un-amplified, pass-through mode, if the power supply is not connected or power fails to reach the antenna for any reason. However, it is recommended to always use the antenna with power

applied in order to activate the industry leading, TForce automatic gain preamp.

- Always be sure to follow all local, state, and national electric codes. Seek the assistance of a local professional if needed.

Application example



Technical specifications of the intelligent antenna (it must be powered)

Operating band	MHz	High VHF 174 - 216 CH7 - CH13	UHF 470 - 608 CH14 - CH36
Mode		INTELLIGENT (BOSS ON)	
Gain	dBi	36	44
Output level		Auto*	
Power supply	V	12	
Consumption	mA	70 (max) @12V	
Wind load	N	373 (@ 80 mph)	513 (@ 93 mph)

*The gain is automatically adjusted according to the level of output.

Antenna Selector

This antenna provides optimal reception for the following zone(s)

High-VHF **UHF**

See www.antennaweb.org for the list of broadcasters in each reception zone where you live.

Safety Instructions:

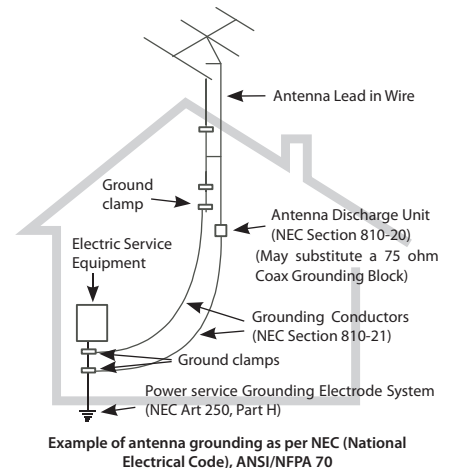
LIGHTNING PROTECTION

- ◆ Be sure the antenna system is grounded so as to provide protection against voltage surges and built-up static charges. Section 810 of the National Electrical Code ANSI/NFPA70, or CSA C22.1 sections 10, 16, and 54, of the Canadian Electrical Code, provide information with respect to proper grounding of the mast and supporting structure, grounding of the antenna lead-in wire to an antenna discharge unit, size of grounding conductors, location of antenna-discharge unit, connection to grounding electrodes, and requirements for the grounding electrode (see figure and instructions).
- ◆ Mount the lightning arrester or 75 ohm coaxial grounding block as close as possible to where the 75 ohm coaxial cable down lead enters the house.
- ◆ The ground wires for both the mast and the down lead should be copper or aluminium wire, number eight (8) or larger.

- ◆ The down lead wire from the antenna to the lightning arrester and the mast ground wire should be secured to the house, spaced from four (4) to six (6) feet apart.
- ◆ In the case of a "ground up" antenna installation it may not be necessary to ground the mast if the mast extends four or more feet in the earth. Consult a TV serviceman for the proper depth in your location.

WARNINGS

- ◆ To prevent fire or shock hazard, do not expose the included power supply to rain or moisture.
- ◆ Installation of off-air antennas near power lines is dangerous. For your safety, follow the installation instructions.
- ◆ Any alteration or modification to the product or usage not in accordance with product instructions voids the warranty.



Example of antenna grounding as per NEC (National Electrical Code), ANSI/NFPA 70

