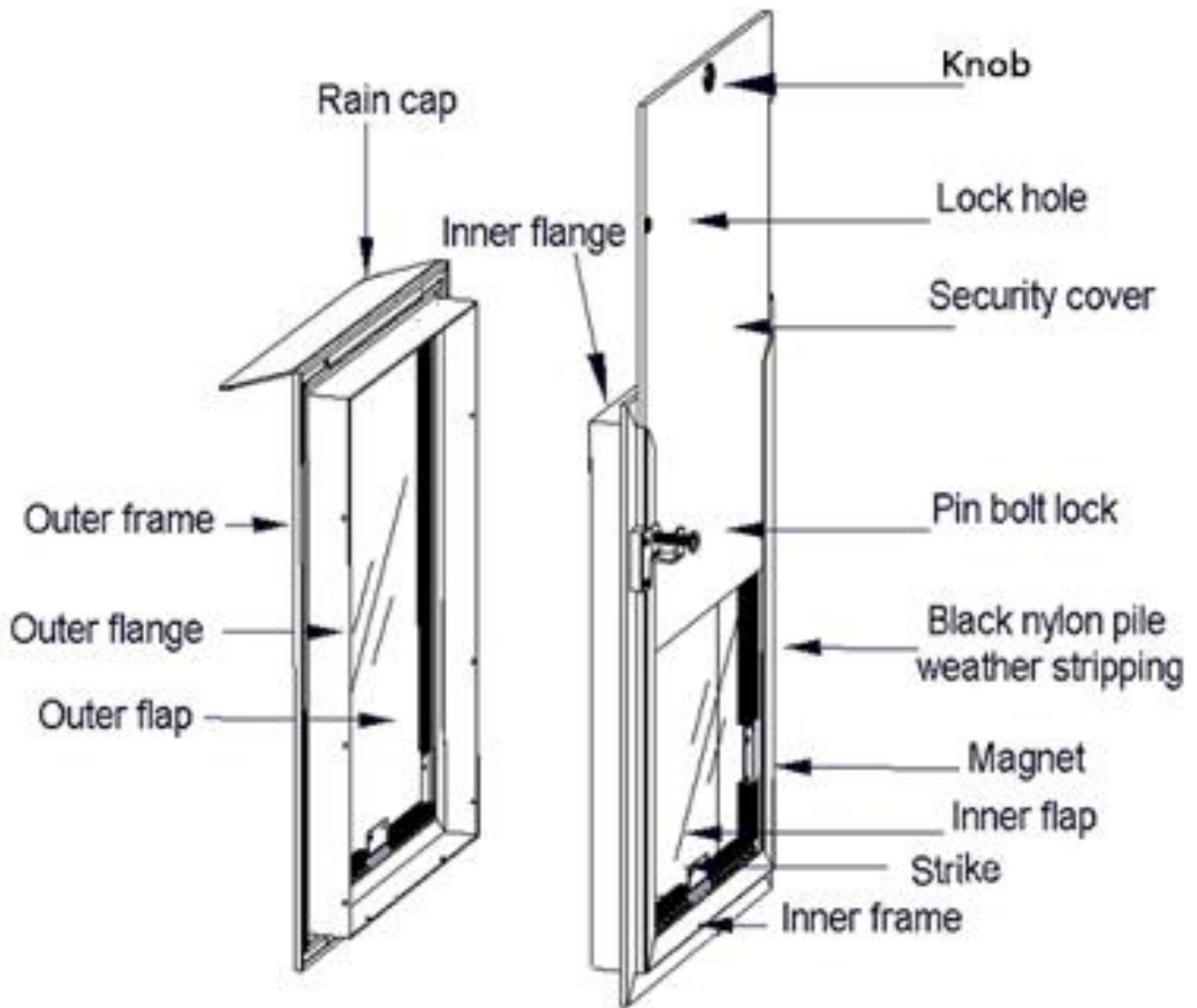




Door Model Pet Door





The Hale Pet Door™ “Door Model” is a popular model. It’s self-framing and self-supporting design makes it easy to install in almost any door location. No need to frame out the door. Just cut the correct size rough opening in the door, slip the inside and outside frames together and attach with provided screws. Instructions for installation included in the box or on our website. We offer technical support when needed and professional installation is available in many locations nationwide.

SPECIFICATIONS:

Flaps: Double flaps (one flap on each door surface) made of flexible 3/16” clear PVC vinyl.

Inner Frame: Inner frame made of two different metal extrusions. A built-in groove on three sides supports the security cover. (Placement depends on direction cover slides.) Both metals are .063” wall thickness and made of extruded 6063-T5 aluminum.

Outer Frame: Extruded 6063-T5 aluminum with .063” wall thickness. Designed to sleeve into the inside frame.

Flange: The outer frame flange is .070” smaller than the inner frame flange to allow the frame to sleeve together.

Alnico5 Magnets: A ¼” rod magnet 1 ½” long made from an aluminum, nickel and cobalt alloy known for its strength and durability. Metal holders secure magnets into door frame. Door size determines number of magnets.

Strikes: Made of ferrous stainless steel. 1 ½” long, ¾” tall and 1/32” thick. U shaped with a center hole for a rivet to securely attach to the flaps.

Weather stripping: Flap is surrounded by ½” nylon pile for maximum insulation. Nylon is woven into a backing 9/32” wide and 1/32” thick.

Security Cover: 1/4" thick high-density polyethylene sheet. Extremely shock and impact resistant. Has a 3/8" diameter locking hole and preinstalled knob for easy removal.

Cover Knob: A lightweight zinc alloy cabinet knob pull-type handle in a satin nickel finish that is 25/32" wide, 19/32" tall and 53/64" deep with a 1/2" deep and 21/32" wide finger hole. It is attached to the cover with a 12 mm long zinc-coated steel flat head Philips screw with a .70 thread size that is countersunk to prevent scratching the frame.

Pin Lock: A 1/4" diameter positive action steel pin encased with 5/32" thick fabricated plated steel.

Gap: Standard range between door frames is from 1 9/32" to 2". A dimension larger than 2" would normally be considered a wall unit. Can be factory modified to collapse to as small as 3/4" gap.

Raincap: An awning like attachment made of .063" extruded 6063-T5 aluminum. Hooks to the outside frame for use in diverting water and preventing it from entering the pet door from above. Its use on the door model is optional but can be included at the time of order as a no-cost option.

OPTIONS:

Flaps: *Training flap*—use for a limited time when pet is timid and getting used to the pet door. *Single flap*—designed for installation through interior doors where added insulating factor is not needed.

Frame Colors: Available in four color choices—Brushed aluminum, dark bronze, white and Arizona beige—can be mixed to coordinate with interior and exterior colors of the home

Security Cover Load: Standard top loading. Also available in side loading model if there is an obstruction above door.

Security Cover: Can be installed outside, inside, or with dual security covers. Available in four colors to coordinate with our frame colors.

Sizes: 12 standard sizes available from small to giant. Custom sizing also available.

OUTSTANDING FEATURES:

- Self-supporting, self-framing
- Energy efficient
- Easy to clean

APPLICATIONS:

Designed to be installed through almost any door.

- Wood doors
- Metal doors
- Multi lite French doors
- Hollow core doors
- Raised panel doors

Can be used through interior or exterior doors