

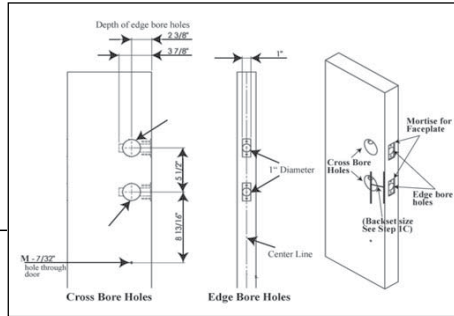
# Nostalgic Warehouse Door Hardware Installation Instructions

## ROSETTE PRE-ATTACHED KNOBS

## Single Cylinder Handleset

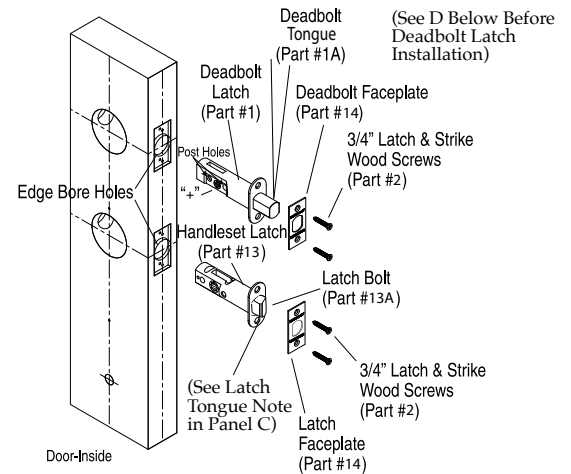
Note: Handlesets fit doors 1-3/4" to 2-1/4" thick.

### A USE INCLUDED DOOR PREPARATION TEMPLATE FOR NON-PREPARED DOORS



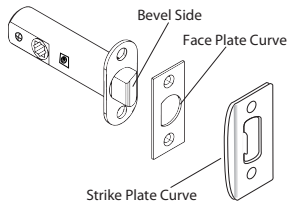
### USE INCLUDED PLASTIC TEMPLATE FOR PREPPED DOORS

### B Install Deadbolt and Handleset Latches

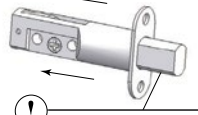


### C Latch Tongue Note

Bevel side of latch tongue should contact curved end of face plate, and curved end of strike plate.

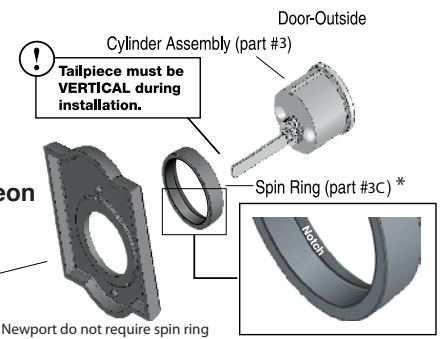


### D Deadbolt Latch Tongue Note

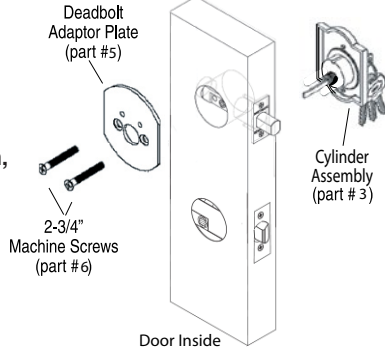


Door-Inside

### E Install Cylinder and Escutcheon

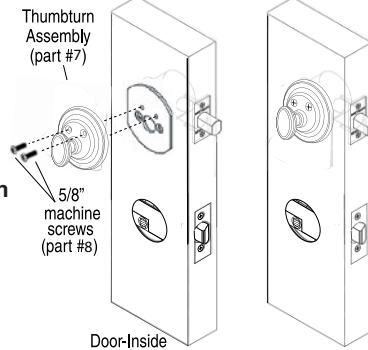


### F Insert Cylinder Assembly into Escutcheon, and place on door exterior. Attach deadbolt adaptor plate with provided screws.



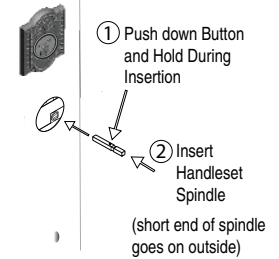
Door Inside

### G Attach Thumbturn Assembly with provided screws.



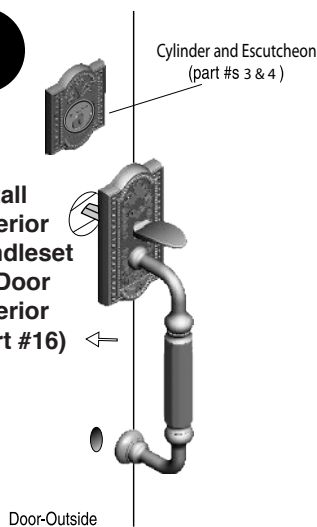
Door-Inside

### H Insert Handleset Spindle



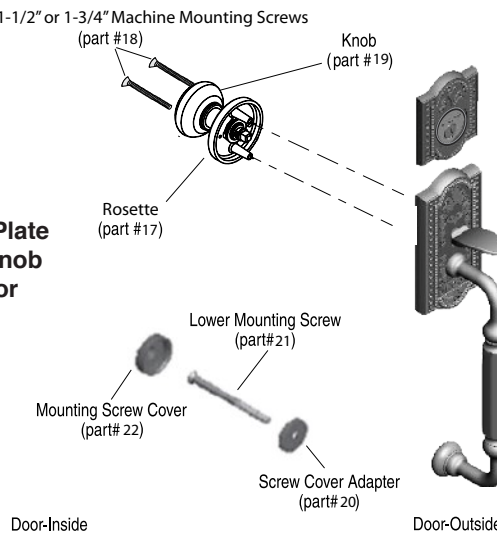
Door-Outside

### I Install Exterior Handleset on Door Exterior (part #16)



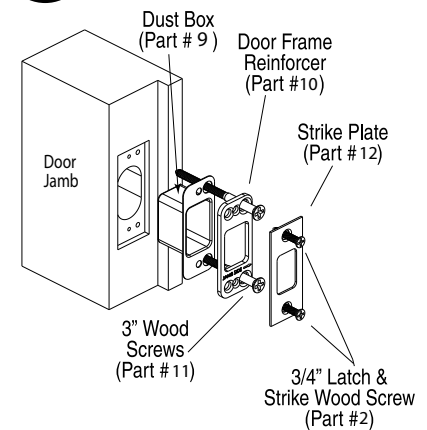
Door-Outside

### J Install Long Plate with Knob on Door Inside



Door-Inside

### K Install Jamb Strike Plate



# Exploded Drawing Single Cylinder Handleset Rosette With Pre-Attached Knob

**Part  
Number**   **Part  
Description**

1. Deadbolt Latch
- 1A. Latch Tongue
2. 3/4" Faceplate & Strike Wood Screws (8)
3. Cylinder Assembly (W/Keys)
  - 3A. Cylinder Body
  - 3B. Tailpiece
  - 3C. Spin Ring  
(Georgetown & Newport  
do not require spin ring)
4. Escutcheon
5. Deadbolt Adapter Plate
6. 2-3/4" Machine Screws (2)
7. Thumbturn Assembly
8. 5/8" Thumbturn Machine Screws (2)
9. Dustbox for Deadbolt
10. Door Frame Reinforcer
11. 3" Reinforcer Wood Screws (2)
12. Strike Plate for Deadbolt
13. Handleset Latch
  - 13A. Latch Tongue
14. Latch Faceplate
15. Handleset Spindle
16. Handleset
17. Rosette
18. 1-1/2" or 1-3/4" Machine Mounting Screws
19. Knob
20. Screw Cover Adapter
21. 2-7/8" Lower Mounting Screw
22. Mounting Screw Cover
23. Dustbox for Handleset
24. Strike Plate for Handleset

