

# Installation Instructions

# Pre-Attached Rosettes and Short Plates

## IMPORTANT!

All wood screws require 7/64" pilot holes, 1" deep in the door and jamb. Electric drills/drivers should NOT be used to install any wood screws.

NOTE: Passage and privacies fit doors 1-3/8" to 1-3/4" thick.

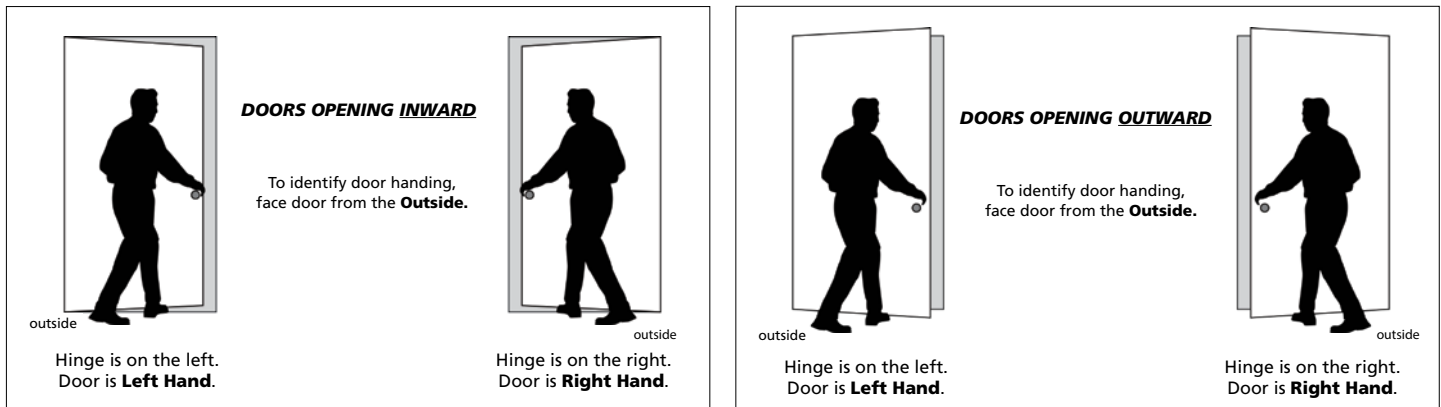
**Tools Required: #2 Phillips Screwdriver & electric drill, 7/64" bit**

## DOOR HANDING - ROSETTES AND SHORT PLATES

Door handing is critical for Split-Finish, or Split-Design products. It's also used to determine where the Interior and Exterior halves of the lockset are located on the door. And, it's used to position the latch tongue in relation to the strike plate.

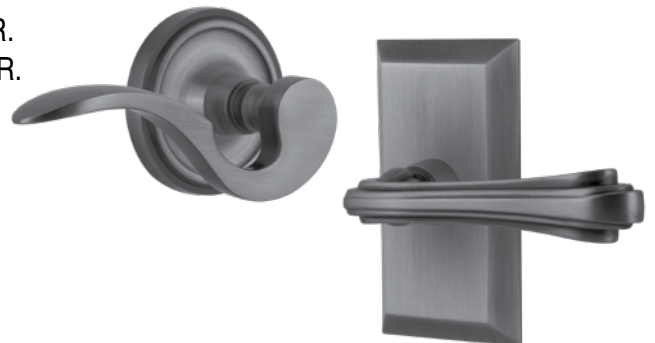
Inside of Door - The Inside of a door refers to the side of the door that **faces the room**. For example, for a bedroom door on a hallway, the Inside of the door would face the bedroom.

Outside of Door - The Outside of a door refers to the side of the door that **faces away from the room**. For example, on a bedroom door, the Outside would face the hallway.

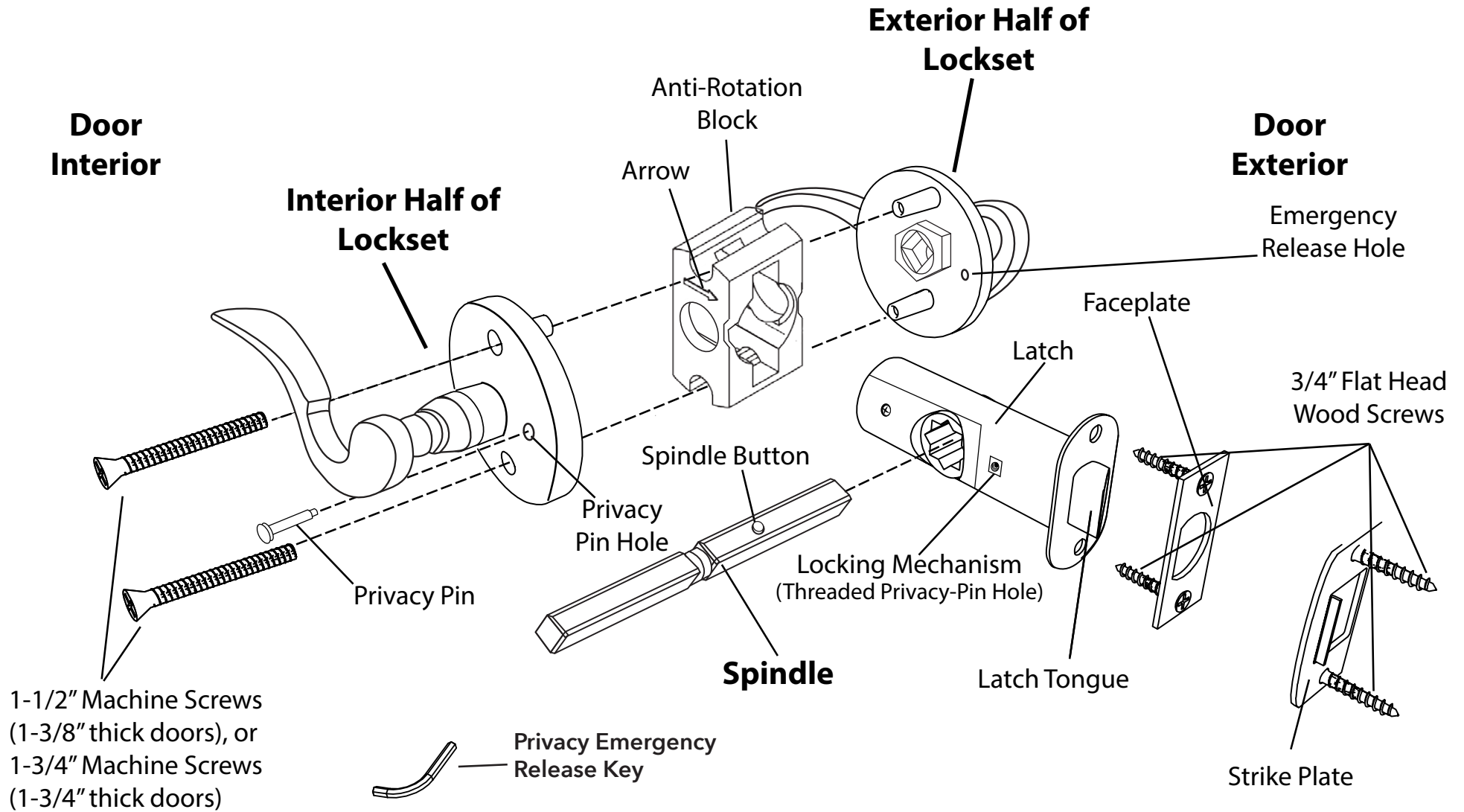


## INSTALLATION RULES:

- 1) READ ALL INSTRUCTIONS AND FOLLOW EACH STEP IN ORDER.
- 2) DO NOT MIX PARTS FROM ONE BOX WITH THOSE OF ANOTHER.
- 3) Lockset machine mounting screws are inserted from the inside.
- 4) Privacy pin holes are next to the door edge containing the latch.
- 5) Latch tongues have a beveled side, and this side should contact the curved end of the face plate, and curved end of the strike plate.  
(See \*Latch Tongue Notes on page 3.)



# Exploded Drawing for Pre-Attached Rosette/Short Plates Passage/Privacy - Lever



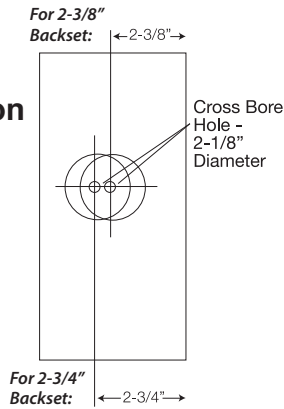
**Fits doors  
1-3/8" to 1-3/4" thick**

# Passage/Privacy Lever ROSETTE

**Tools Required: #2 Phillips Screwdriver (Not power tools)**

## A

### Backset Information

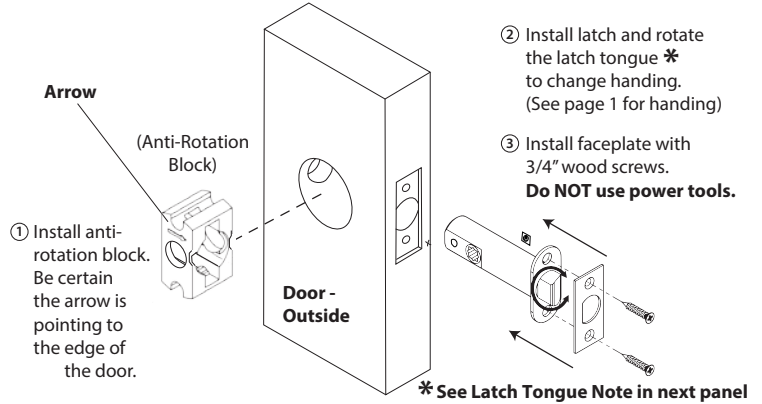


**NOTE:**  
DRILLING  
TEMPLATES  
ON  
SEPARATE  
INCLUDED  
SHEET

## B

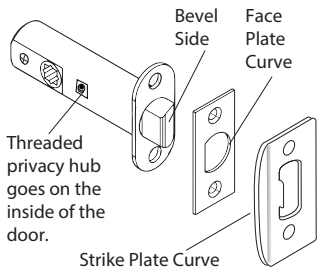
### Install Latch

**IMPORTANT!** All wood screws require 7/64" pilot holes, 1" deep in the door and jamb. Electric drills/drivers should NOT be used to install any wood screws.



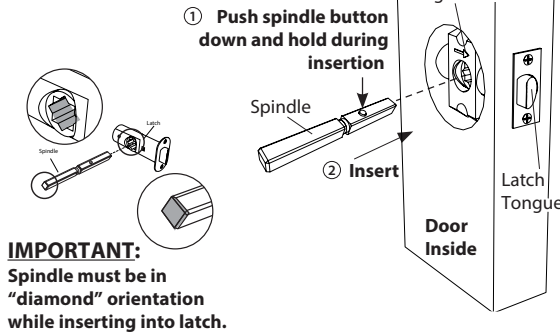
### \* Latch Tongue Note

Bevel side of latch tongue should contact curved end of face plate, and curved end of strike plate.



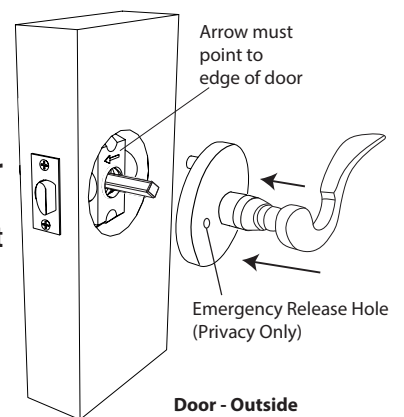
## C

### Insert Spindle



## D

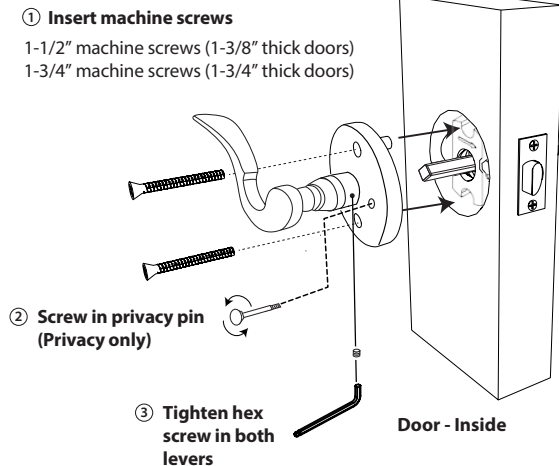
### Install Exterior Half of Lockset



## E

### Install Interior Half of Lockset

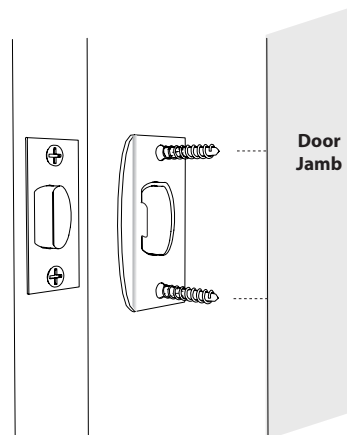
**NO POWER TOOLS!!!**



## F

### Install Strike Plate

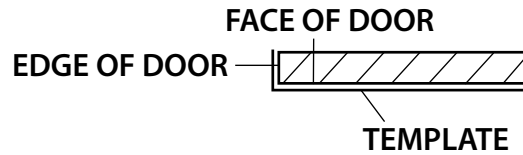
**NO POWER TOOLS!!!**



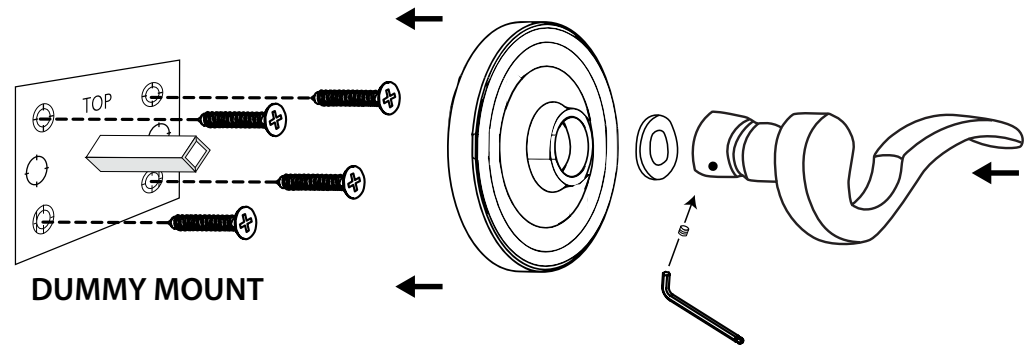
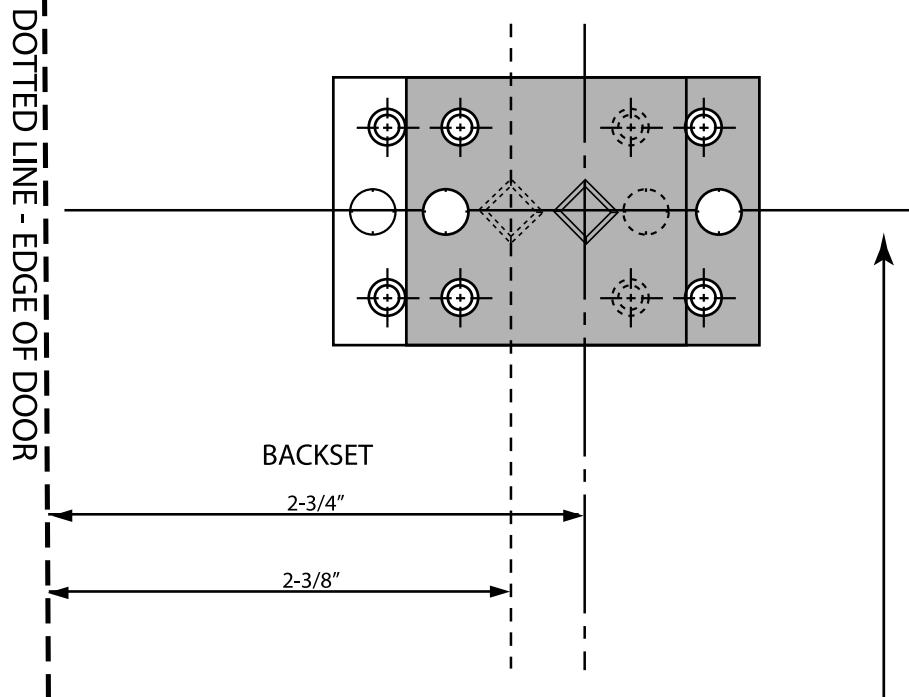
Attach the strike plate to the door jamb using 3/4" long wood screws.

# DUMMY INSTALLATION AND DOOR PREPARATION TEMPLATE - ROSETTE/LEVER

- (2) Fold template along dotted line, and position fold on the edge of the door. Tape template to face of door.



- (4) Insert four wood screws, in dummy mount, and tighten WITHOUT power tools.



- (5) Slide rosette over dummy mount, slide lever on mount, press and hold in position.

- (6) Tighten hex screw.

- (3) Before drilling verify the backset of your existing doors. Drill pilot holes using a 5/64" diameter bit, 1" deep.

- (1) Measure from the floor to the center of existing locks, and use this distance as the Height of the dummy mount. If there are no existing locks, position the dummy mount 36" to 38" from the floor.

FLOOR