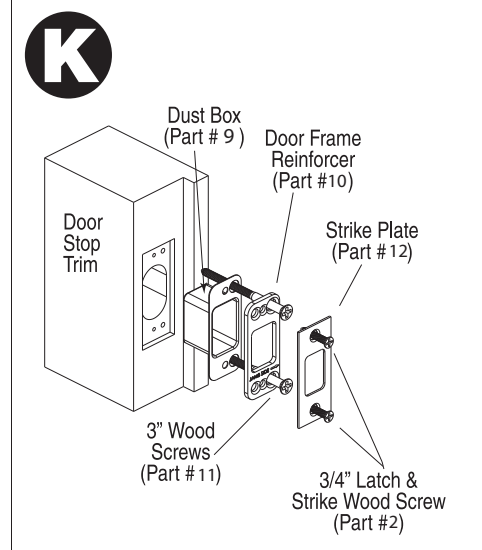
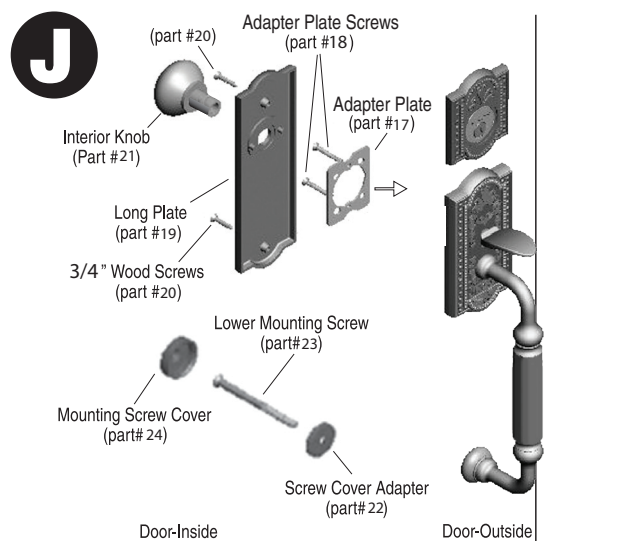
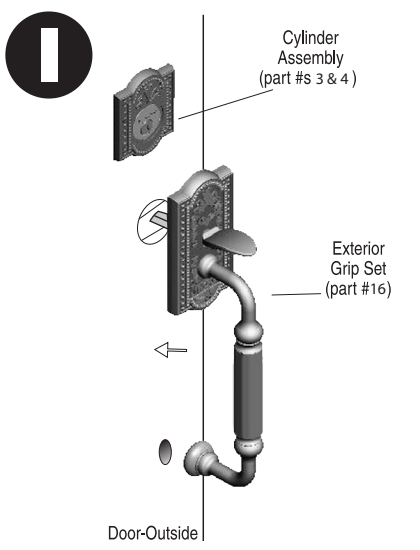
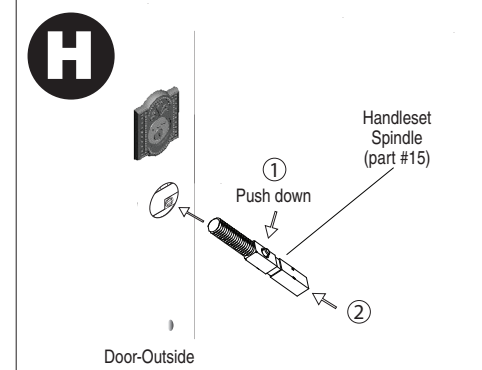
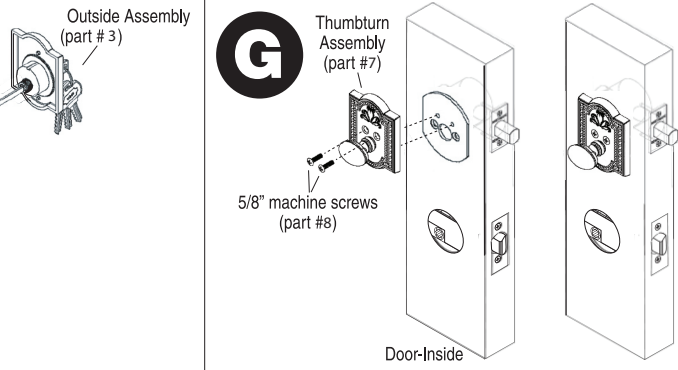
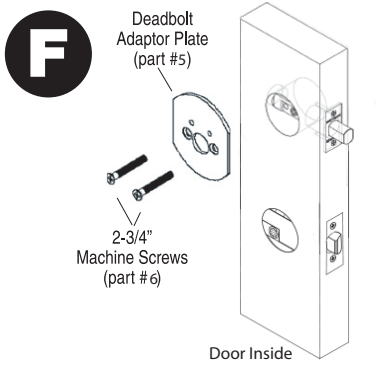
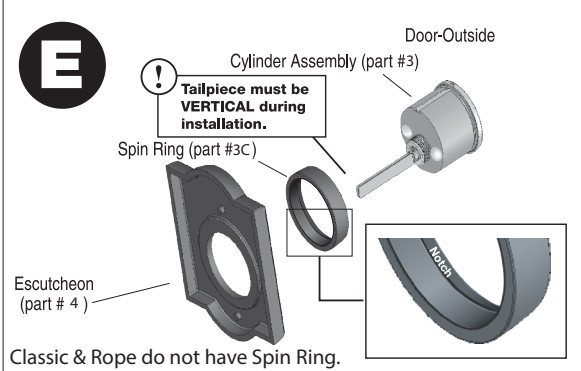
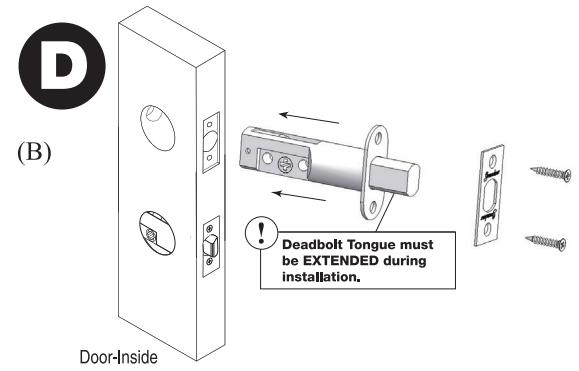
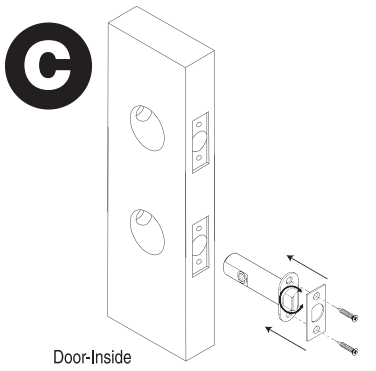
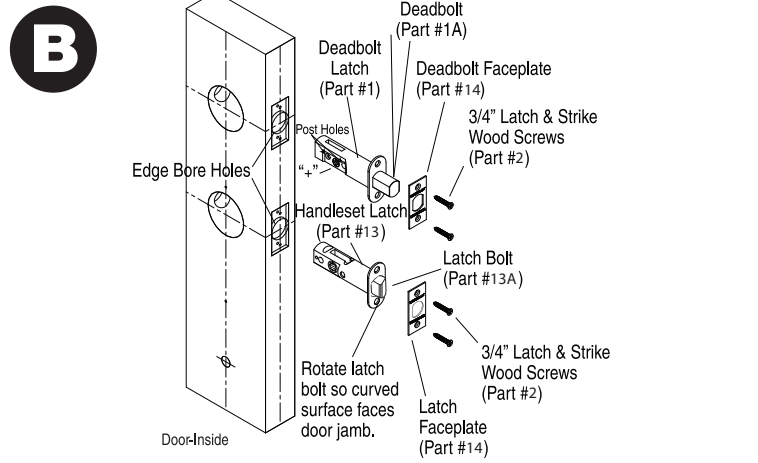
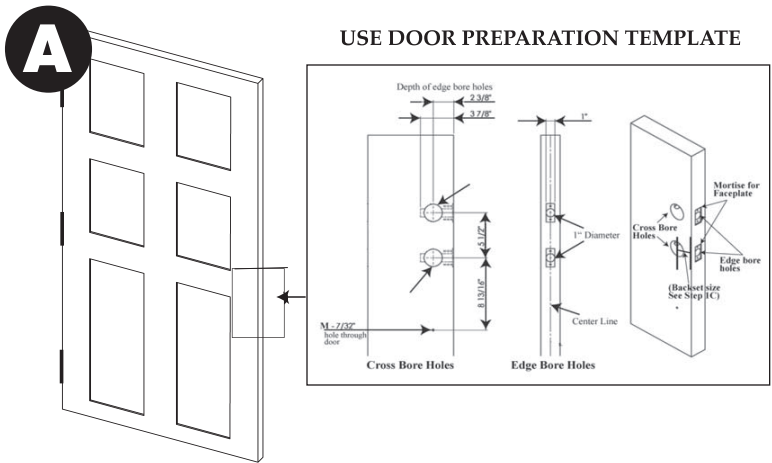


Door Hardware Installation Instructions

Updated December 2015

Single Cylinder Handleset

Note: Handlesets fit doors 1-3/4" to 2-1/4" thick.



Exploded Drawing Single Cylinder Handleset

Part Number Description

1. Deadbolt Latch
- 1A. Latch Bolt
2. 3/4" Latch & Strike Wood Screws (8)
3. Cylinder Assembly (W/Keys)
- 3A. Cylinder Body
- 3B. Tailpiece
- 3C. Spin Ring (not included with Classic & Rope)
4. Escutcheon
5. Deadbolt Adapter Plate
6. 2-3/4" Machine Screws (2)
7. Thumbturn Assembly
8. 5/8" Thumbturn Machine Screws (2)
9. Dustbox for Deadbolt
10. Door Frame Reinforcer
11. 3" Reinforcer Wood Screws (2)
12. Strike Plate for Deadbolt
13. Handleset Latch
- 13A. Latch Bolt
14. Faceplate for Latch
15. Split Spindle
16. Handleset
17. Adapter Plate
18. Adapter Plate Screws (2)
19. Long Plate
20. 3/4" Plate Mounting Screws
21. Knob
- 21A. Set Screws
22. Screw Cover Adapter
23. 2-7/8" Lower Mounting Screw
24. Mounting Screw Cover
25. Dustbox for Handleset
26. Strike Plate for Handleset

