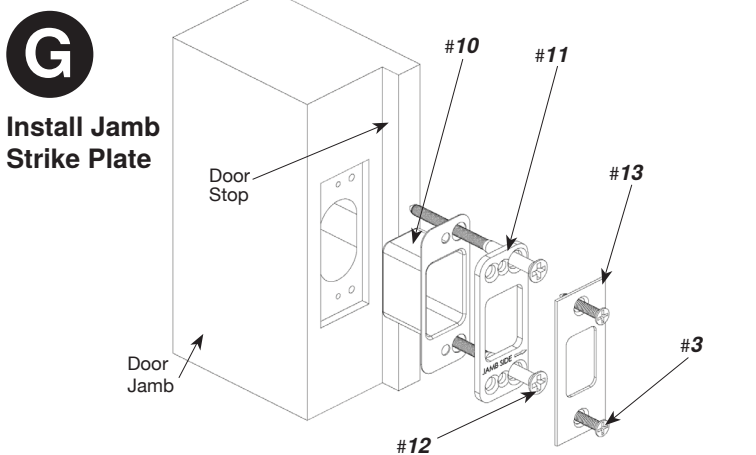
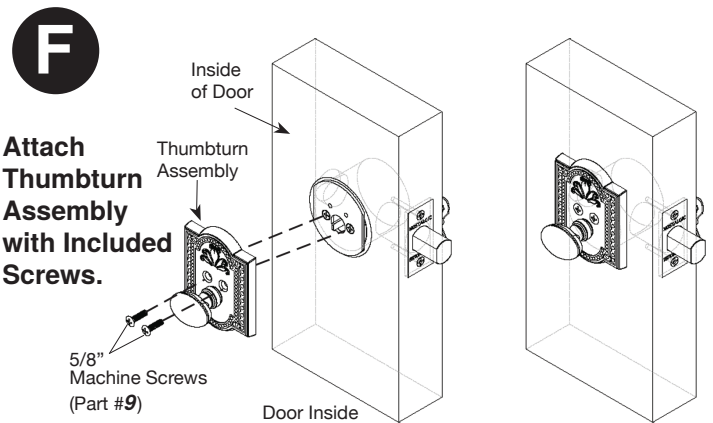
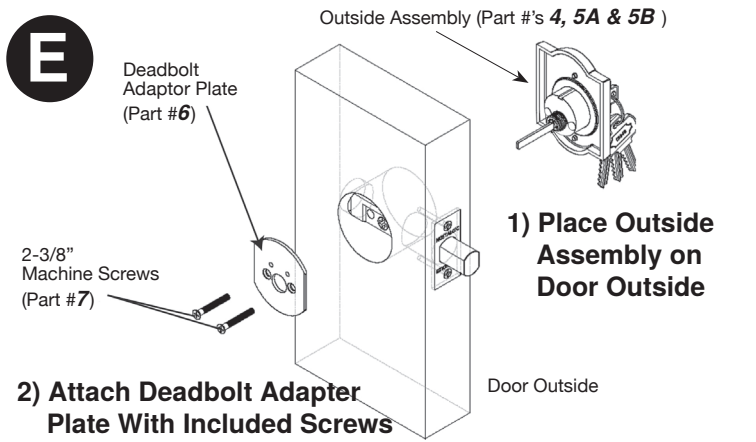
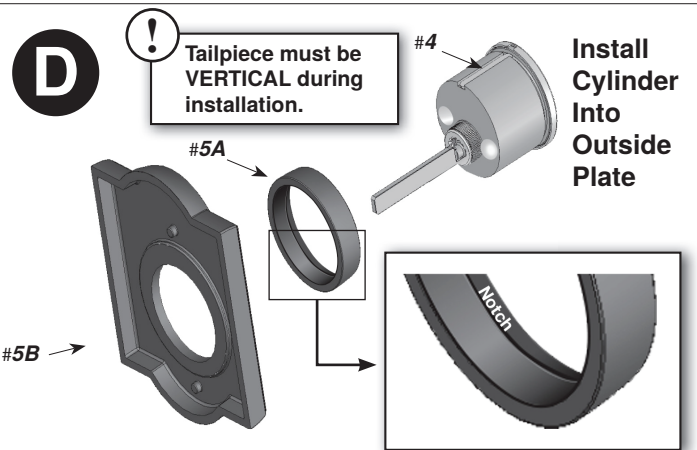
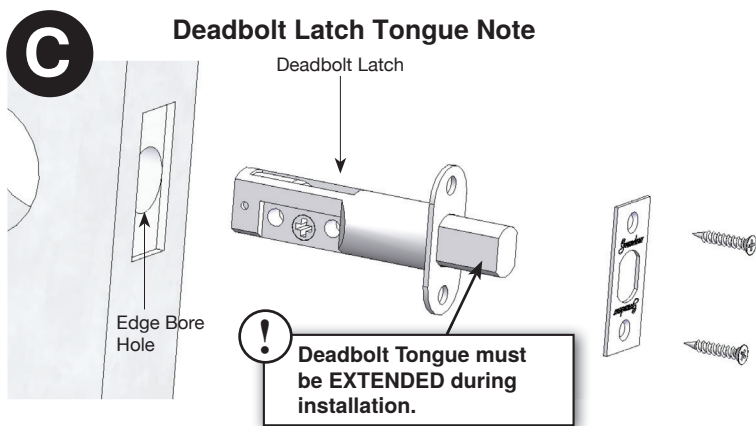
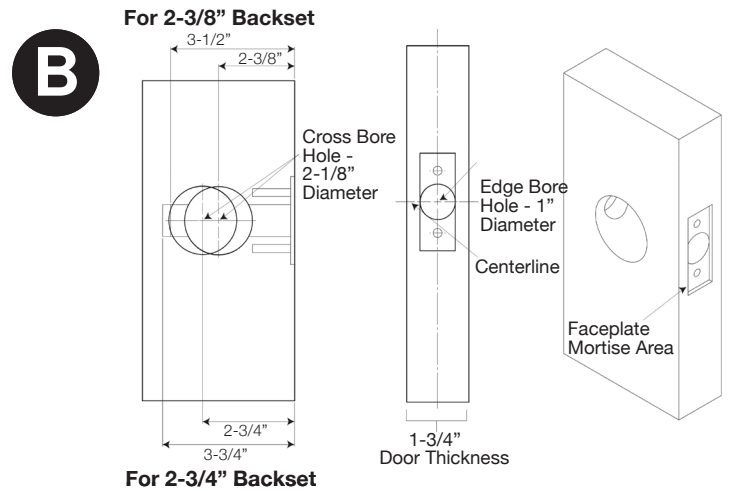
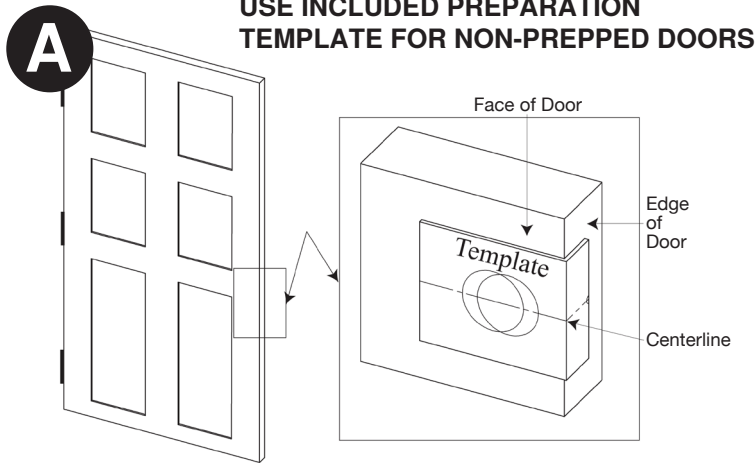


Door Hardware Installation Instructions

Single Cylinder Deadbolt

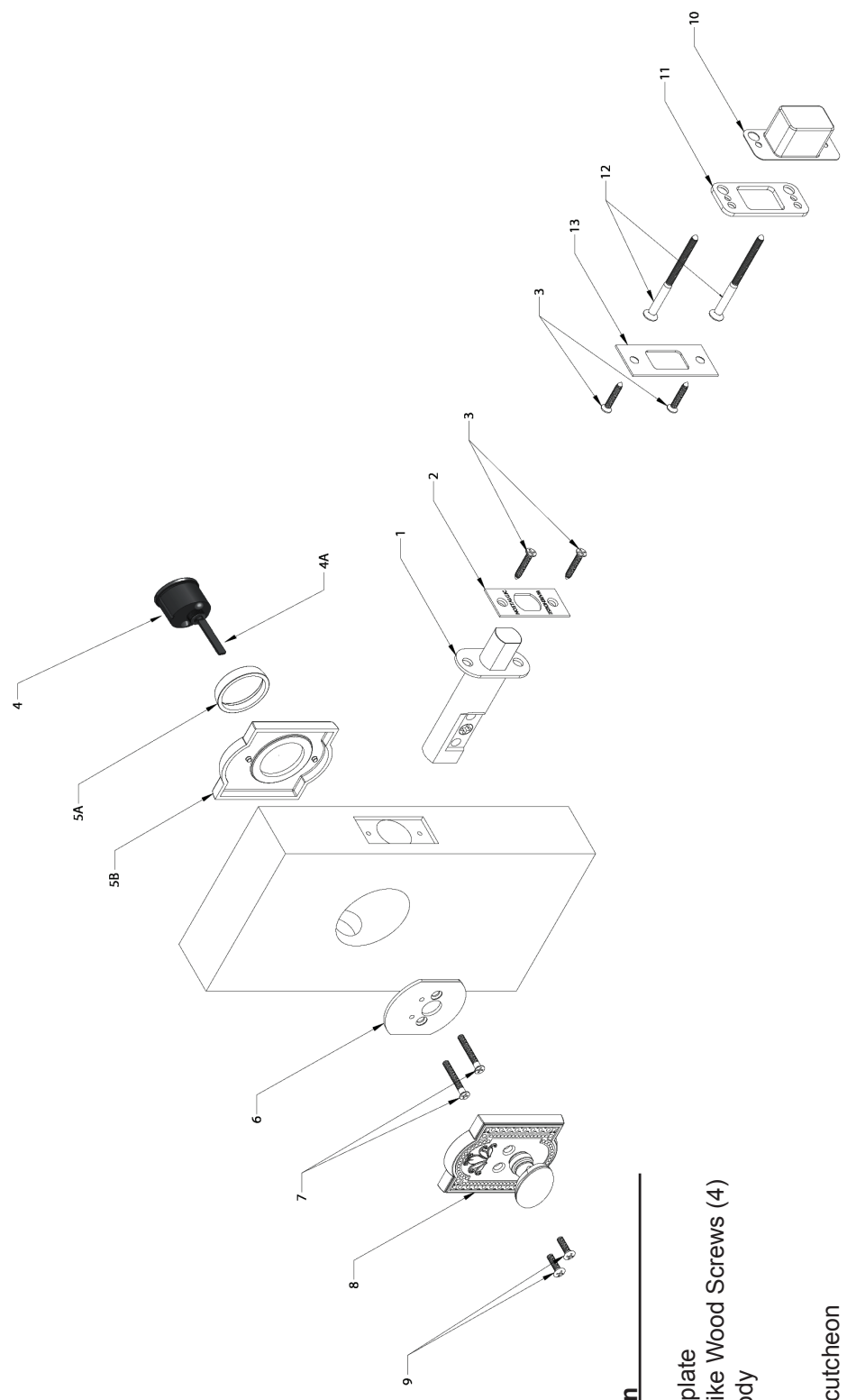
NOTE: Deadbolts fit doors 1-3/4" thick.



For assistance call
1-800-522-7336 Monday - Friday, 7 am—4pm Mountain Time
or visit www.NostalgicWarehouse.com/support

NOTE: Deadbolts fit doors 1-3/4" thick.

Single Cylinder Deadbolt Exploded Parts Drawing



Part #	Description
1	Latch
2	Latch Faceplate
3	Latch & Strike Wood Screws (4)
4	Cylinder Body
4A	Tailpiece
5A	Spin Ring
5B	Outside Escutcheon
6	Deadbolt Adapter Plate
7	2-3/8" Machine Screws (2)
8	Thumbturn Assembly
9	5/8" Thumbturn Machine Screws (2)
10	Dust Box
11	Door Frame Reinforcer
12	3" Reinforcer Wood Screws (2)
13	Strike Plate



For Assistance Call: **1-800-522-7336**
7 am - 4 pm, Monday - Friday, Mountain Time