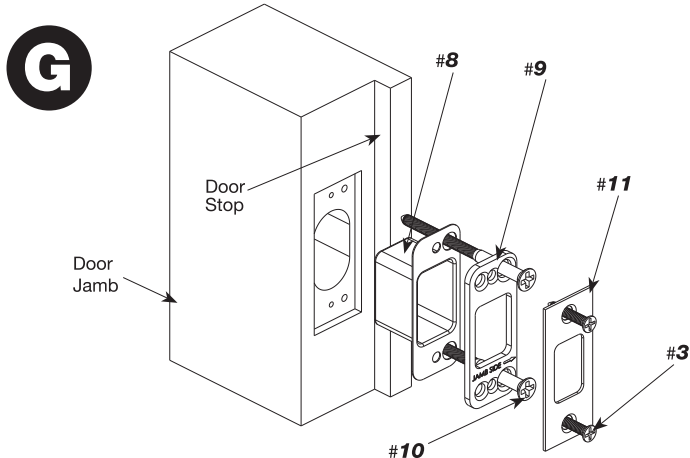
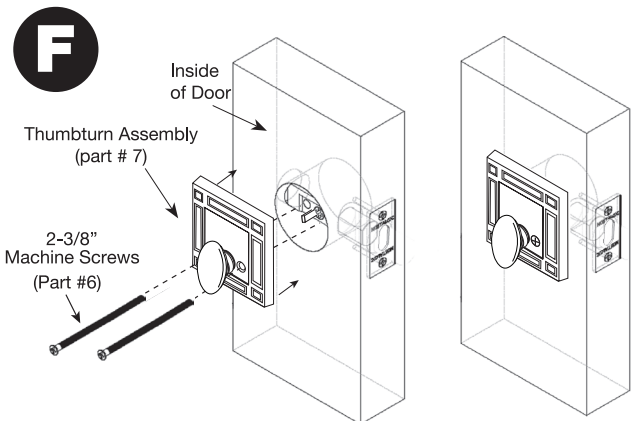
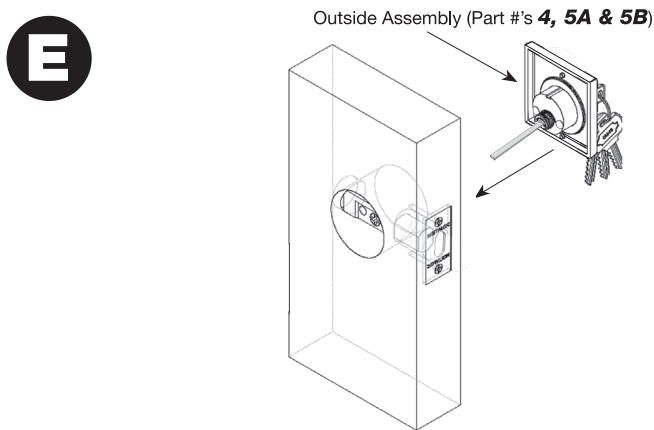
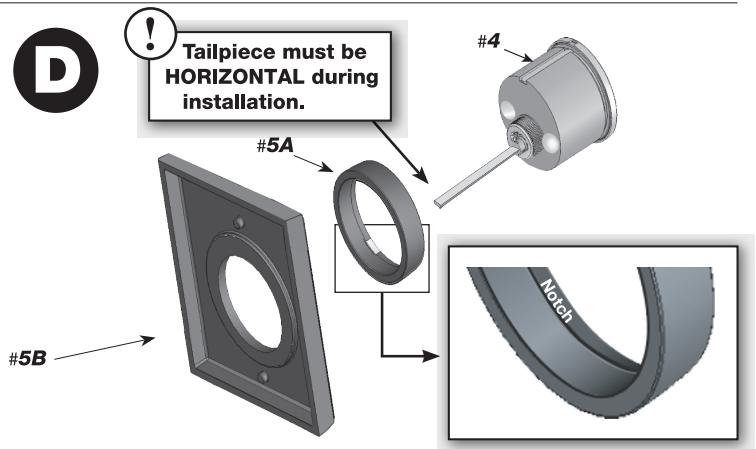
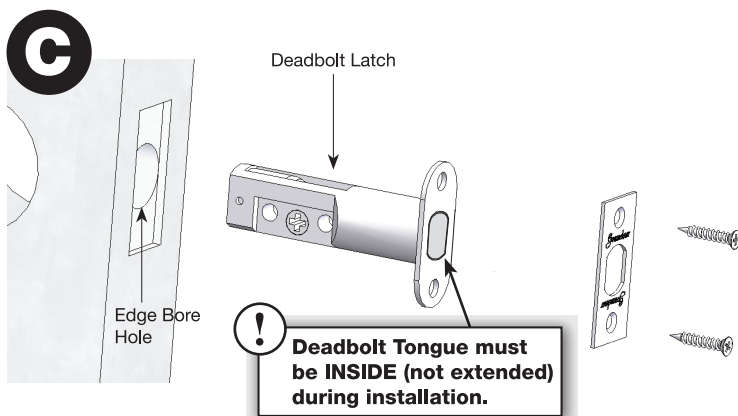
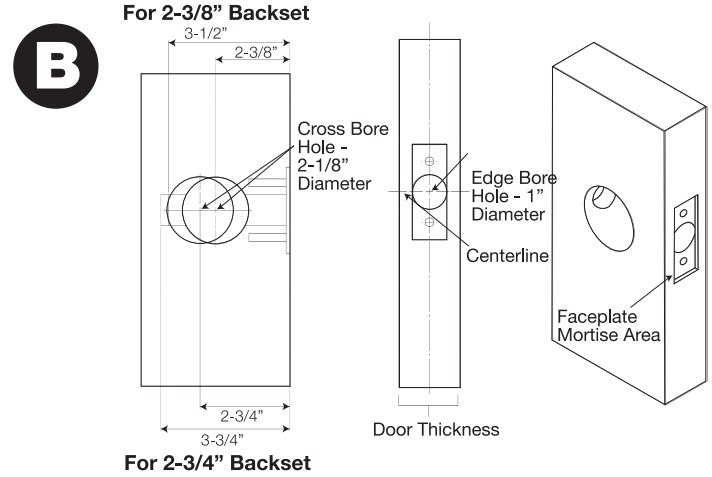
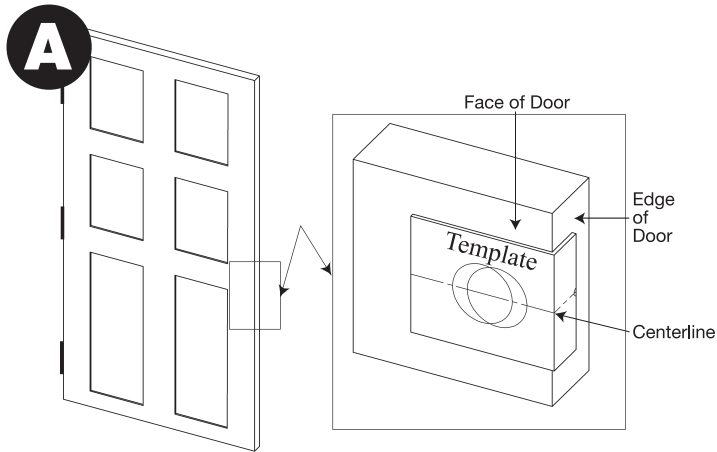


# Craftsman and Mission Installation Instructions

# Single Cylinder Deadbolt

*NOTE: Deadbolts fit door 1-3/4" thick.  
For thicker doors, please call customer service.*



## NOSTALGIC WAREHOUSE

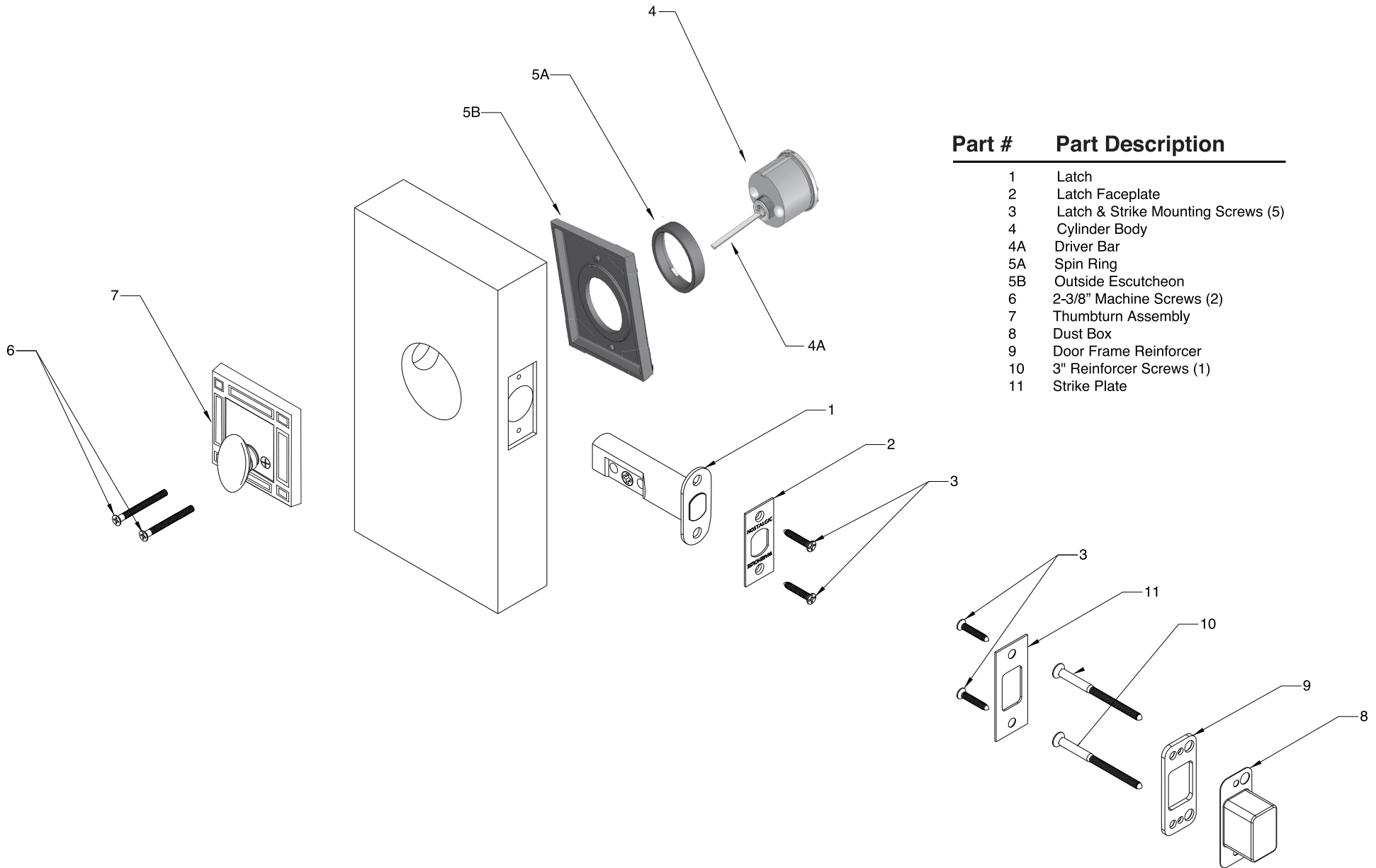


For Assistance Call:

1-800-522-7336

7 am - 4pm, Monday - Friday, MST

# Single Cylinder Deadbolt Exploded Parts Drawing



Part #	Part Description
--------	------------------

1	Latch
2	Latch Faceplate
3	Latch & Strike Mounting Screws (5)
4	Cylinder Body
4A	Driver Bar
5A	Spin Ring
5B	Outside Escutcheon
6	2-3/8" Machine Screws (2)
7	Thumbturn Assembly
8	Dust Box
9	Door Frame Reinforcer
10	3" Reinforcer Screws (1)
11	Strike Plate