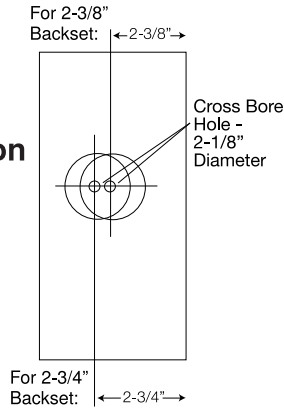


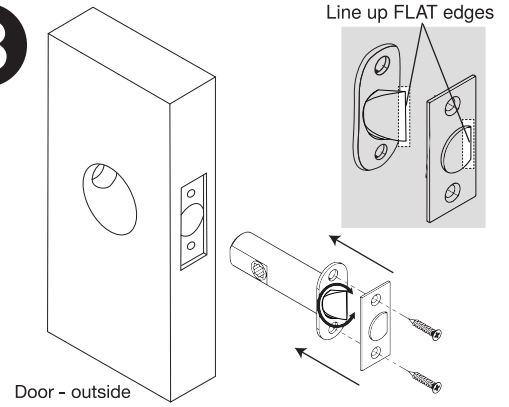
A

Backset Information

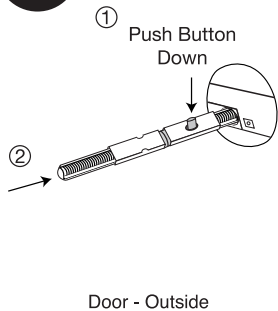


NOTE:
DRILLING
TEMPLATES ON
SEPARATE
INCLUDED
SHEET

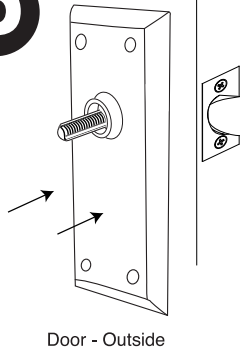
B



C

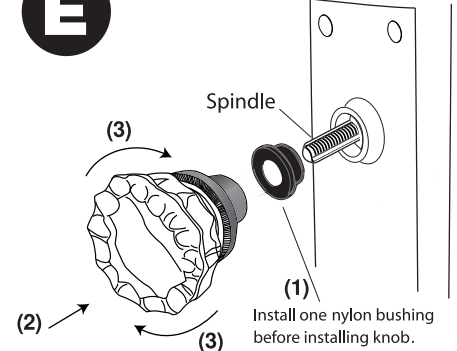


D

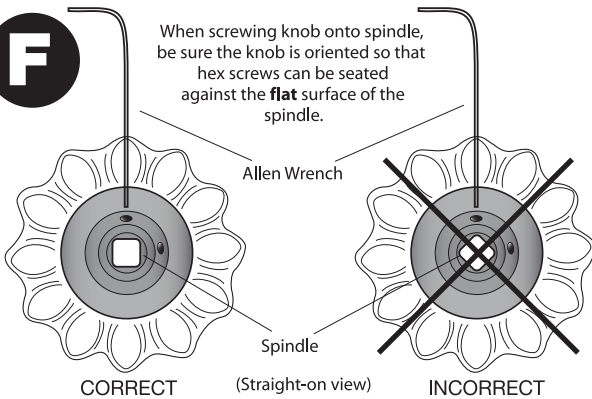


E

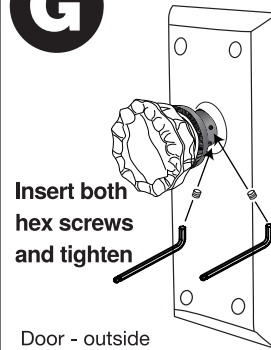
Bushing Installation



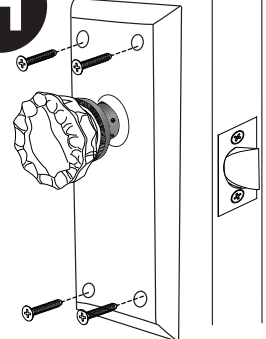
F



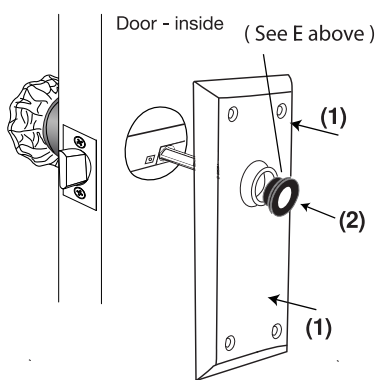
G



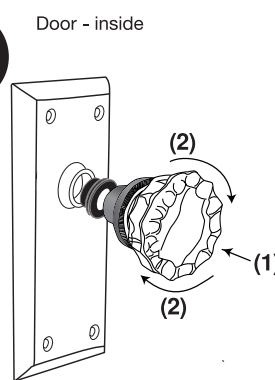
H



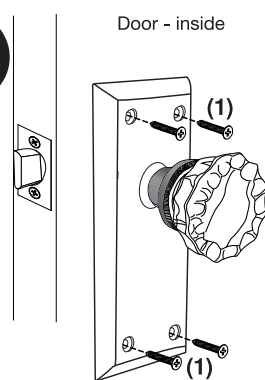
I



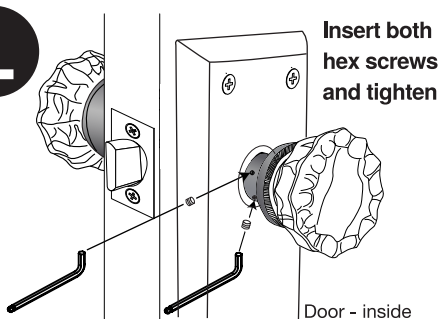
J



K



L



NOTE:
 If knobs do not turn freely;
 loosen one knob and rotate
 counter clockwise for
 1/4 turn, then retighten
 the hex screws.
 Repeat if necessary.

Questions?
 Please call us!
 1-800-522-7336