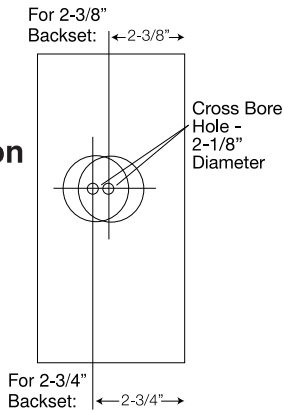


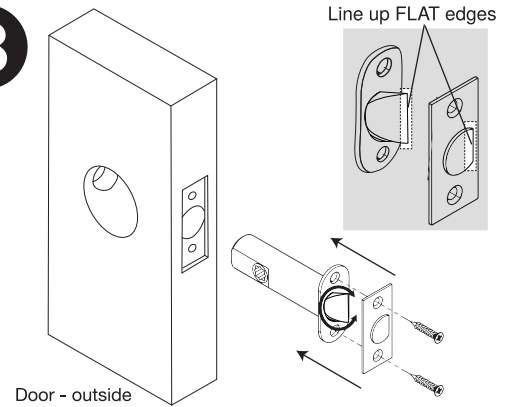
A

Backset Information

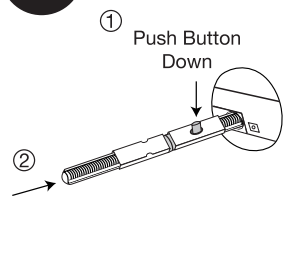


NOTE:
DRILLING
TEMPLATES ON
SEPARATE
INCLUDED
SHEET

B

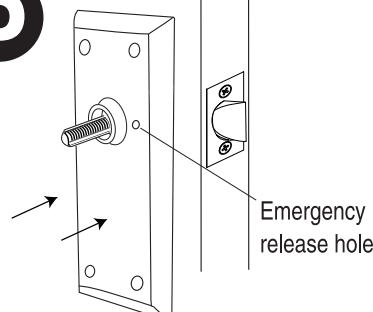


C



Door - Outside

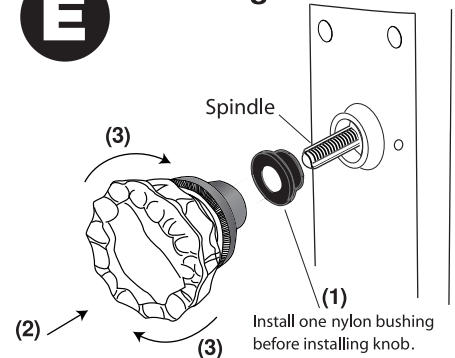
D



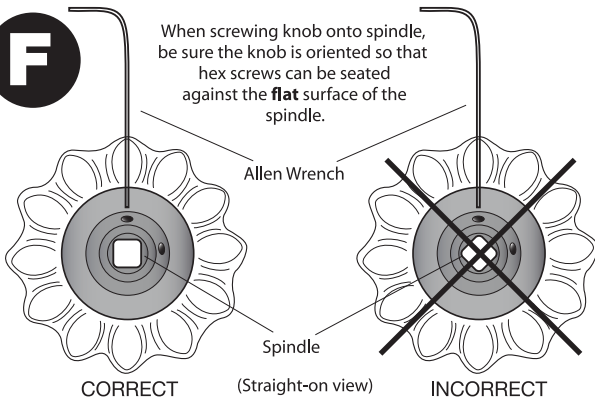
Door - Outside

E

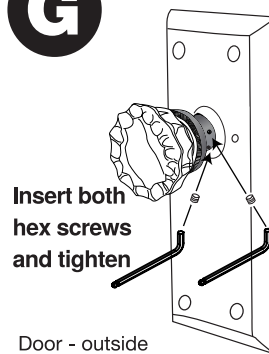
Bushing Installation



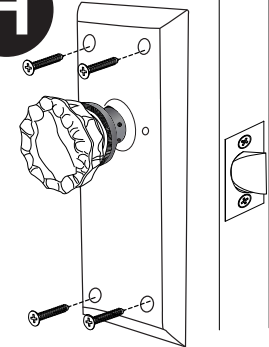
F



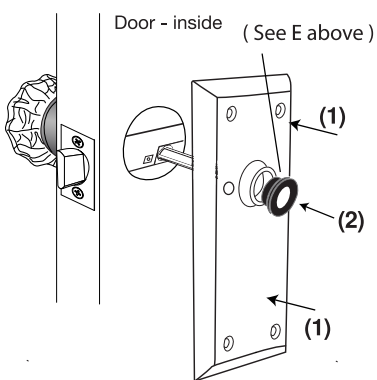
G



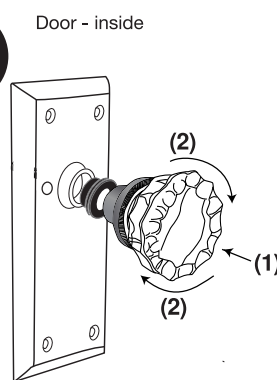
H



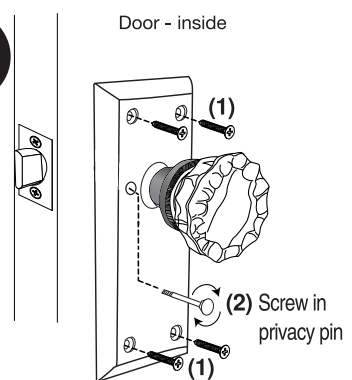
I



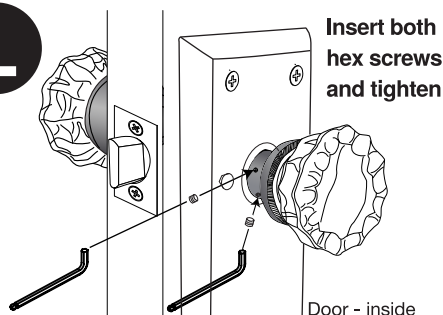
J



K



L



NOTE:
 If knobs do not turn freely; loosen one knob and rotate counter clockwise for 1/4 turn, then retighten the hex screws. Repeat if necessary.

Questions?
 Please call us!
 1-800-522-7336