

**IMPORTANT!**

All wood screws require 7/64" pilot holes, 1" deep in the door and jamb. Electric drills/drivers should NOT be used to install any wood screws.

**NOTE:**

Passage and privacies fit doors 1-3/8" to 1-3/4" thick.

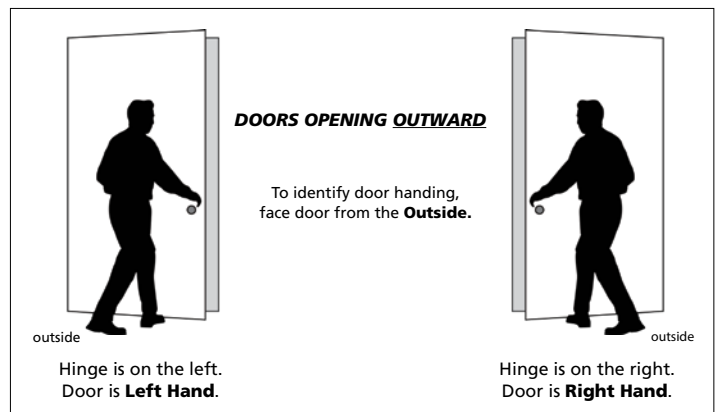
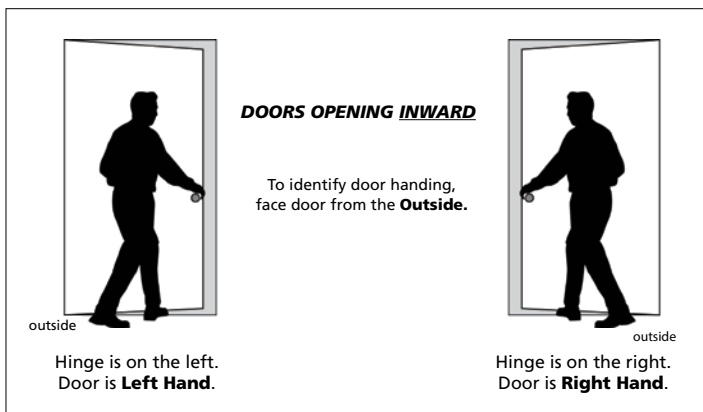
**Tools Required: #2 Phillips Screwdriver & electric drill, 7/64" bit**

## DOOR HANDING - ROSETTES AND SHORT PLATES

Door handing is critical for Split-Finish, or Split-Design products. It's also used to determine where the Interior and Exterior halves of the lockset are located on the door. And, it's used to position the latch tongue in relation to the strike plate.

Inside of Door - The Inside of a door refers to the side of the door that **faces the room**. For example, for a bedroom door on a hallway, the Inside of the door would face the bedroom.

Outside of Door - The Outside of a door refers to the side of the door that **faces away from the room**. For example, on a bedroom door, the Outside would face the hallway.



### INSTALLATION RULES:

- 1) READ ALL INSTRUCTIONS AND FOLLOW EACH STEP IN ORDER.
- 2) DO NOT MIX PARTS FROM ONE BOX WITH THOSE OF ANOTHER.
- 3) Lockset machine mounting screws are inserted from the inside.
- 4) Privacy pin holes are next to the door edge containing the latch.
- 5) Latch tongues have a beveled side, and this side should contact the curved end of the face plate, and curved end of the strike plate. (See \*Latch Tongue Notes on page 2.)

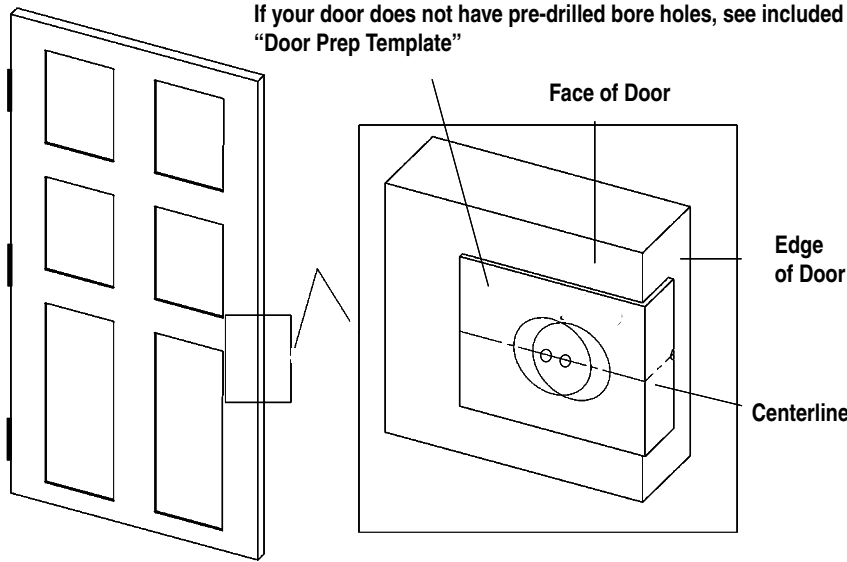


# VIAGGIO®

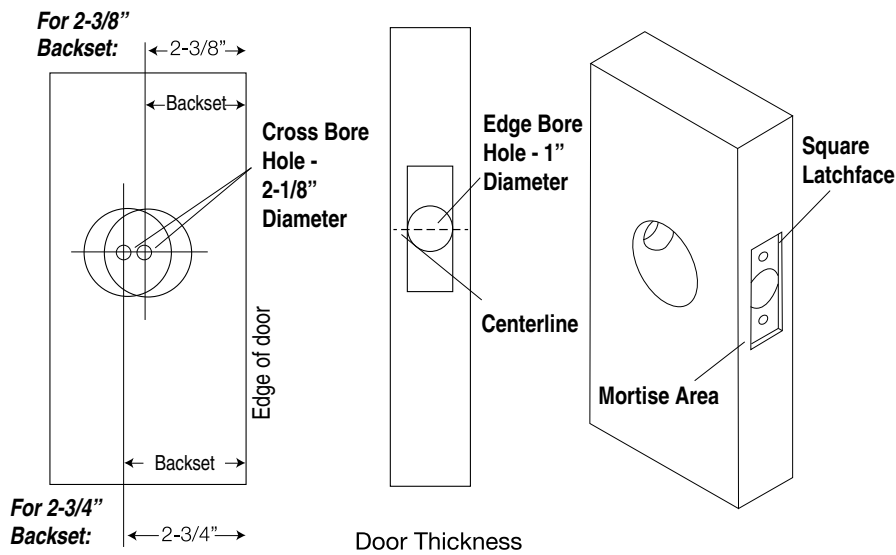
For assistance call 1(800)522-7336 Monday - Friday 7am-4pm MT or visit [www.ViaggioHardware.com/support](http://www.ViaggioHardware.com/support)



WATCH VIDEO

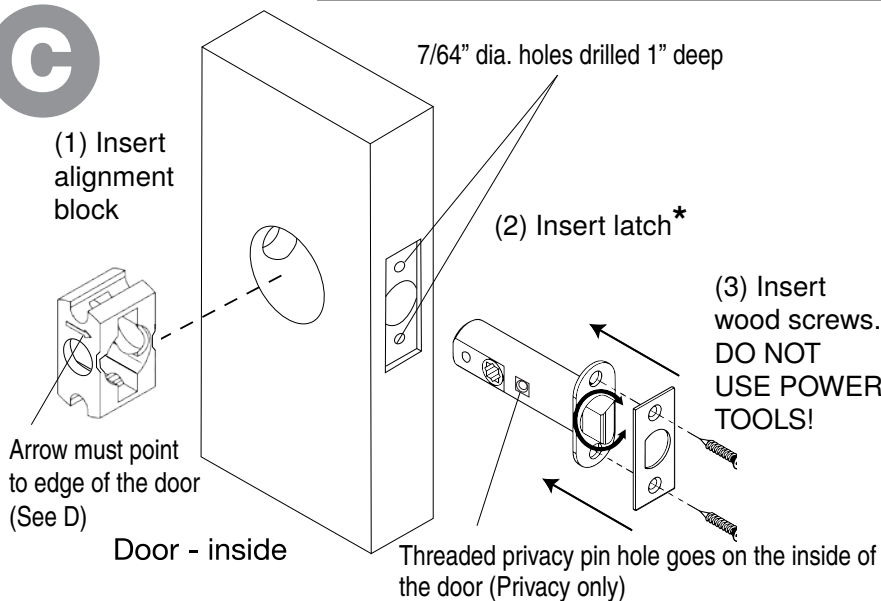
**A**

Skip to step **C**  
if your door has  
pre-drilled bore holes.

**B**

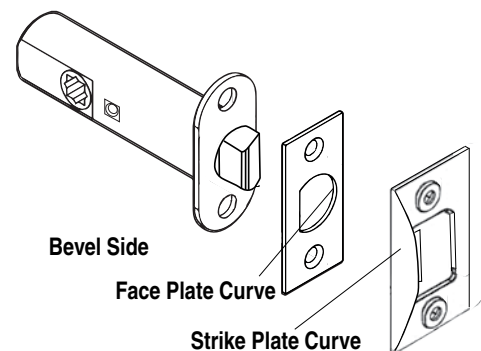
Drawing shown with  
**square** latchface.  
**Radius** latchface  
is also available.

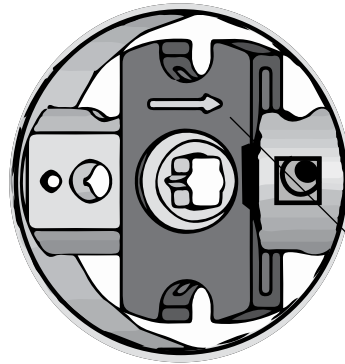
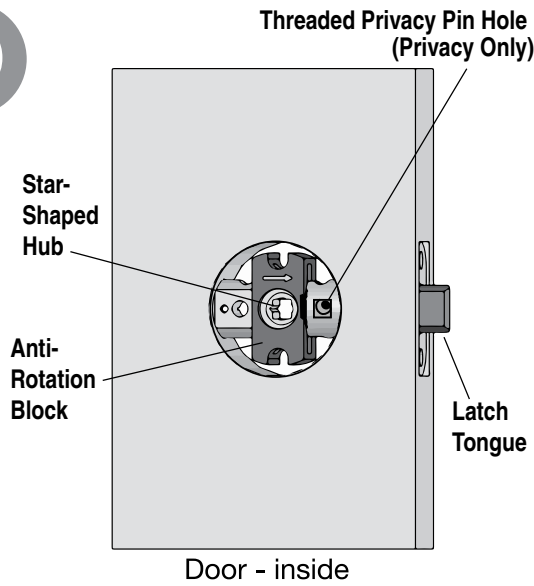
**IMPORTANT!**  
Determine the handing of your door (left or right) before installing any lockset parts!

**C**

### \* Latch Tongue Notes

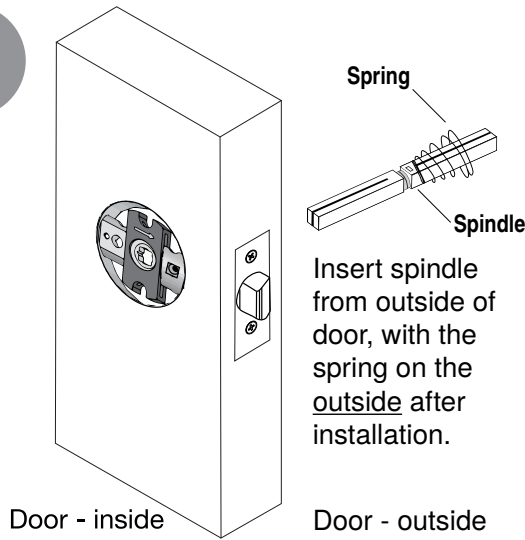
- A) You may need to tap the latch in.
- B) Bevel side of latch tongue should contact curved end of face plate, and curved end of strike plate.



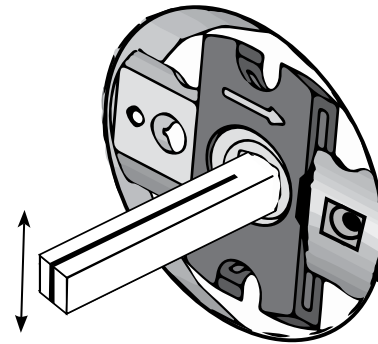
**D**

Door edge

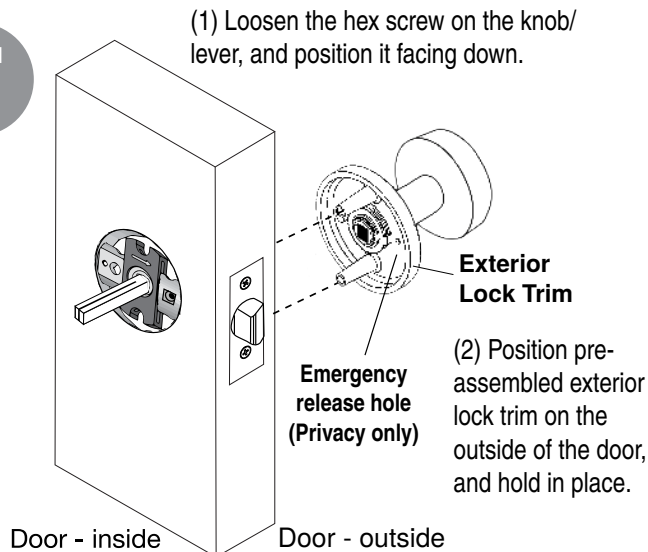
Make sure arrow points to the edge of the door.

**E**

Insert spindle from outside of door, with the spring on the outside after installation.



Slot in spindle should be in vertical position on both sides of door.

**F**

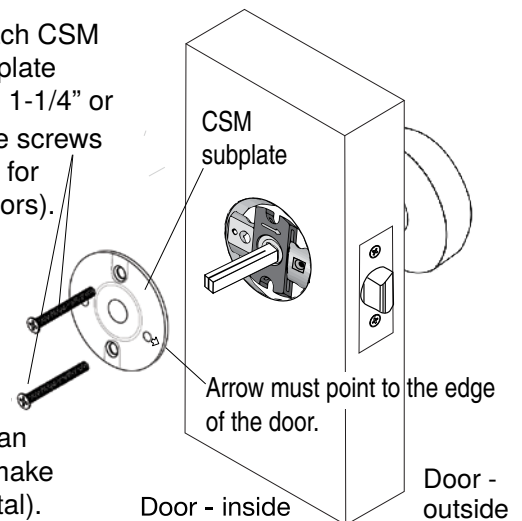
(1) Loosen the hex screw on the knob/lever, and position it facing down.

(2) Position pre-assembled exterior lock trim on the outside of the door, and hold in place.

**G**

Attach CSM subplate with 1-1/4" or 1-5/8" machine screws (1-5/8" screws for 1-3/4" thick doors).

(Note: Before fully tightening, the subplate can be rotated to make levers horizontal).

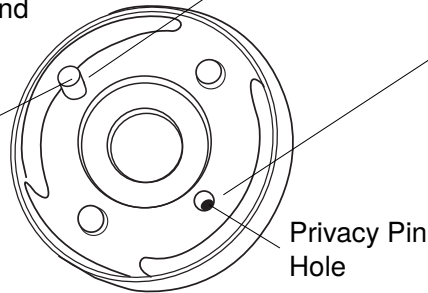


**H**

(1) Position inside rosette on subplate. Privacy pin hole (if present) should be next to the door edge.

(2) Attach rosette with screw-in bushing and included red plastic tool.

Alignment Pin



Rosette-underside

*Note: there is an alignment pin on the back side of the rosette that inserts into a hole in the subplate opposite the privacy pin hole.*

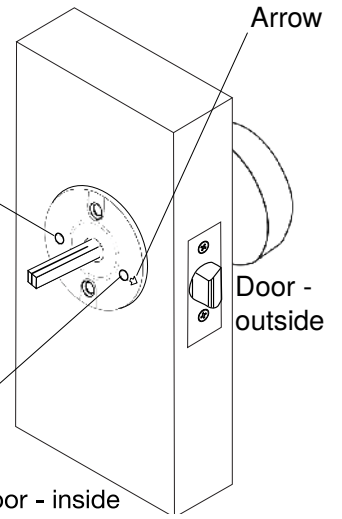
Screw-in bushing

Tool

Inside rosette

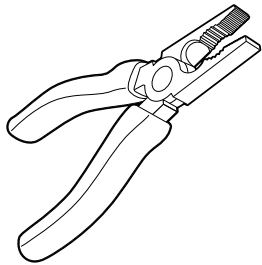
Privacy Pin Hole

Door - inside



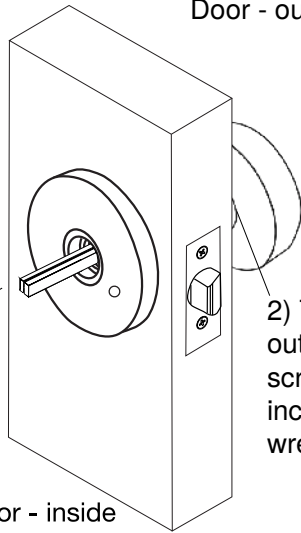
**I**

1) Firmly pull spindle out with pliers.



Door - inside

Door - outside

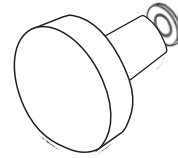


2) Tighten outside hex screw with included hex wrench.

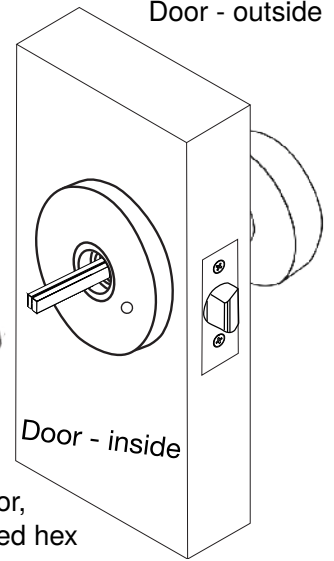
(3) Loosen the hex screw on the knob/lever, and position it facing down.

4) Put the nylon washer onto the knob/lever, then slide knob/lever onto the spindle with the hex screw on the bottom.

Nylon washer



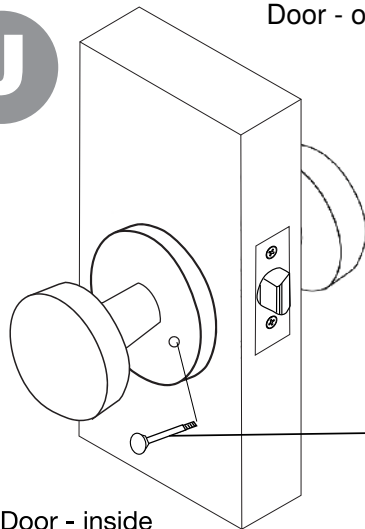
Door - outside



5) Hold knob/lever against the door, and tighten hex screw with included hex wrench.

**J**

Door - outside

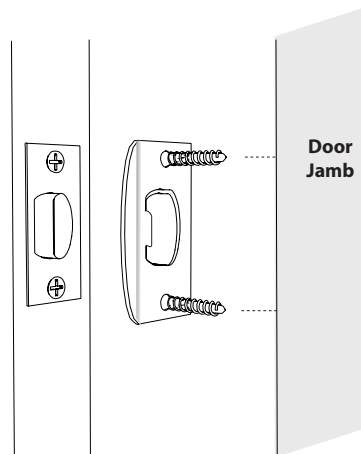


Door - inside

Screw in Privacy Pin (use included Privacy Pin Extender for 1-3/4" thick doors.)

**K**

Install strike plate



Attach strike plate to door jamb using 3/4" long wood screws

*Note: Drill 7/64" diameter holes 1" deep. Install screws without using electric drill/driver.*