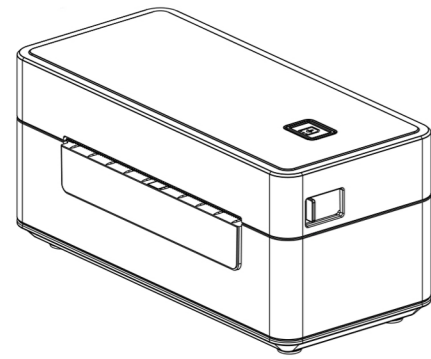


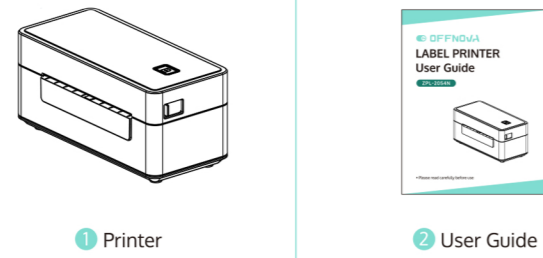
# LABEL PRINTER User Guide

ZPL-2054N

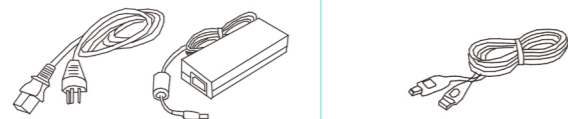


• Please read carefully before use

## What's in the box



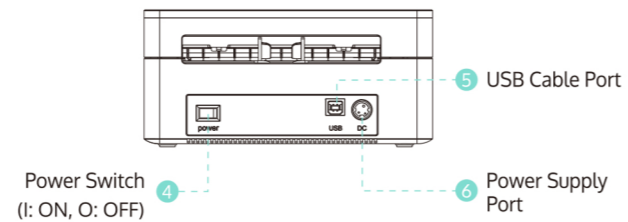
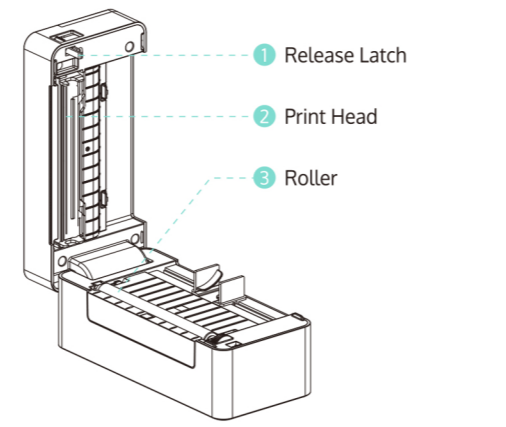
- 1 Printer
- 2 User Guide



- 3 Power Adapter & Cable
- 4 USB Cable

1

## Getting to know the label printer

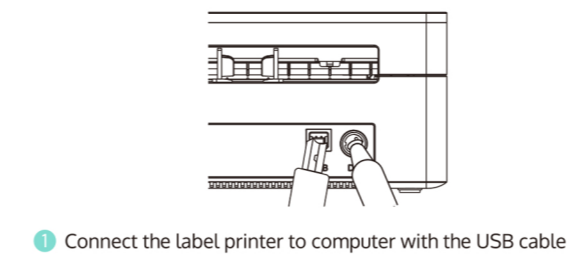


Power Switch  
(! ON, O OFF)

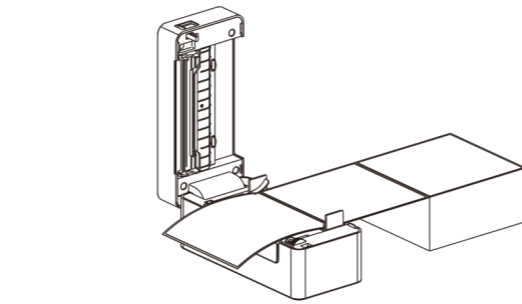
2

## Quick start

### 1. Get your printer started

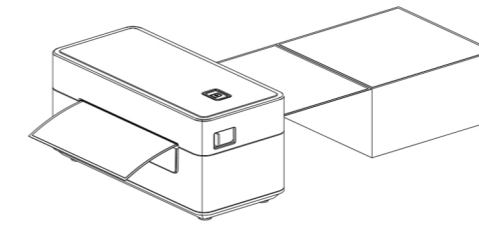


- 1 Connect the label printer to computer with the USB cable

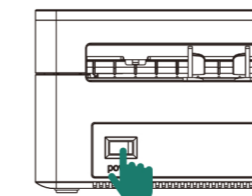


- 2 Pull the release latch to open the cover and load the label

3



- 3 Ensure the guides are touching the label sides. The label that you peel off should be facing up (toward the ceiling). Then close the cover



- 4 Turn the power on and wait 5s for the printer to initiate (!: ON, O: OFF)

4

## 2. DRIVER INSTALLATION

For the latest driver, please visit [www.offnova.com/pages/download](http://www.offnova.com/pages/download)

▲ Before the installation, please ensure the printer is connected and turn on.

### For windows

Run the driver and follow the instruction for installation.

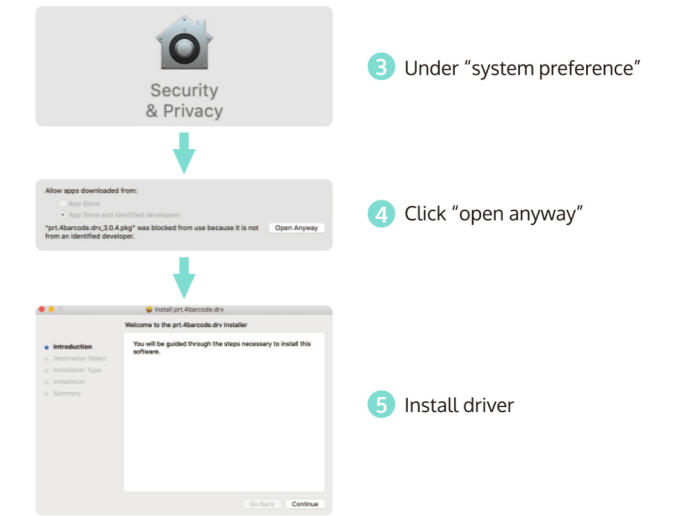
### For Mac OS

Run the driver and follow the instruction for installation.



- 1 Click the driver
- 2 Click "ok"

5



- 3 Under "system preference"
- 4 Click "open anyway"
- 5 Install driver

### Printing using Bluetooth



- 1 Scan this code to download and install the APP "4BARCODE"

6

## 2 Turn on the printer, run the APP to pair it.



- 3 Please make sure that your mobile device is securely connected to the printer.



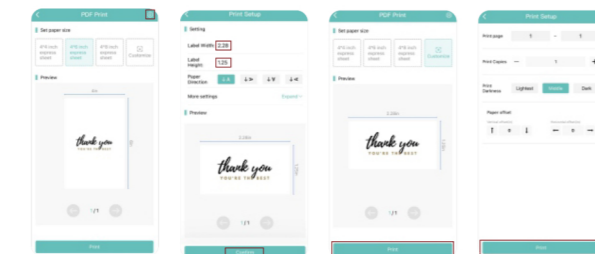
### FAQ

#### 1 How to Print common size labels?

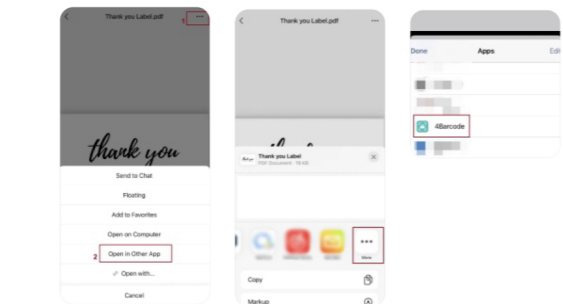


7

## 2 How to Print custom size labels?



- 3 Q: How to print files that have been downloaded to your phone ?  
A: Open the desired file, click the share button and select this APP to open import for printing.



8

## 3. LED STATUS:

LED Light	Description
Blue	Power on, printer standby to print
Flashing Blue	Downloading data or paused
Purple	Formatting the data
Red	Cover is not closed
Flashing Red	Paper shortage or paper jam

## 4. MAINTENANCE:

Printer head cleaning steps:  
The printer head is a sensitive part of the printer and can be found on the upper part of the printer when open.

Caution: While the printer is running, the printer head can be very hot.

- Power off and remove the power cord, then open the cover.
- Wait several moments to ensure that the printer head cools down.
- Completely clean the printer head using an alcohol swap. Please **DO NOT USE WATER**.
- Wait 2-3 minutes until the alcohol has completely vaporized, then close the cover.

Connect the power cord and print a test page to check if it is clean.

9

## Professional Tips

- Cropping a full size 8.5" x 11" page to a 4" x 6" label via APP
  - Click "customize"
  - Drag and drop the four corners to select the area to be printed
  - Click " " to set the needs size
  - Choose the correct direct " ↓ A ↓> ↓ v ↓< "
  - Confirm then print it

- Labels is jammed
  - Turn off the printer, and allow the printer head to cool down.
  - Open the cover and ensure that the rubber is clean. If it is dirty, use alcohol pad to clean it.
  - Allow the area to dry before turning the printer back on.

- To print self-test
  - Make sure that the label paper is loaded
  - Turn off the printer
  - Press and holding down the feed button while turn on the printer, the LED blinks 3 times in pink after red, then release the feed button
- Avoid using poor quality labels as they can damage the printer.
- Regularly clean the printer head under MAINTENANCE guide.

Note: After printing self-test, you MUST turn off and on again to restore it, otherwise its unable to print properly.

10

## Safety Tips

- The printer head can become very hot after printing labels. Do not touch the printer head until it has cooled.
- Do not bend the power cord excessively or place objects on the cord. This could result in fire or electrocution.
- Keep the printer out of reach of children.
- Use only approved accessories and do not try to disassemble or repair the unit by yourself.
- Keep the printer away from water and other objects that may destroy or damage the device.
- Printer should remain unplugged when not in use for long periods of time.

11

## FCC Warning Statement

Changes or modifications not expressly approved by the party responsible for compliance could void the user's authority to operate the equipment.

NOTE: This equipment has been tested and found to comply with the limits for a Class B digital device, pursuant to Part 15 of the FCC Rules. These limits are designed to provide reasonable protection against harmful interference in a residential installation. This equipment generates uses and can radiate radio frequency energy and, if not installed and used in accordance with the instructions, may cause harmful interference to radio communications. However, there is no guarantee that interference will not occur in a particular installation. If this equipment does cause harmful interference to radio or television reception, which can be determined by turning the equipment off and on, the user is encouraged to try to correct the interference by one or more of the following measures:  
 -- Reorient or relocate the receiving antenna.  
 -- Increase the separation between the equipment and receiver.  
 -- Connect the equipment into an outlet on a circuit different from that to which the receiver is connected.  
 -- Consult the dealer or an experienced radio/TV technician for help.

NOTE: This device and its antenna(s) must not be co-located or operation in conjunction with any other antenna or transmitter.

## RF Exposure Statement

- To maintain compliance with FCC's RF Exposure guidelines. This equipment should be installed and operated with minimum distance of 20cm the radiator your body.
- This device and its antenna(s) must not be co-located or operation in conjunction with any other antenna or transmitter.

12

13