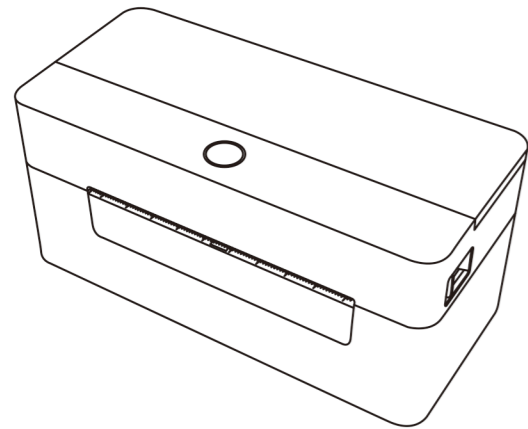


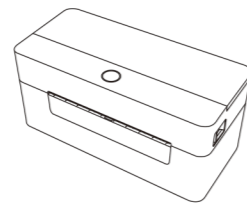
OFFNOVA LABEL PRINTER User Guide

4B-2054N



• Please read carefully before use

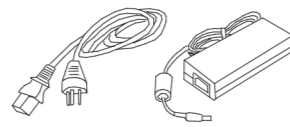
▶ What's in the box



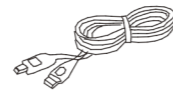
1 Printer



2 User Guide



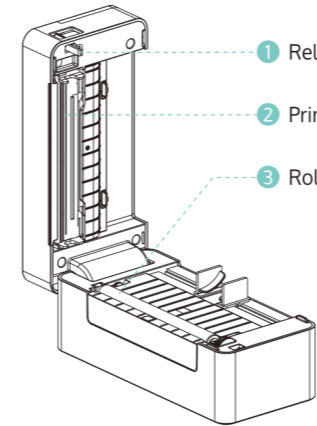
3 Power Adapter & Cable



4 USB Cable

1

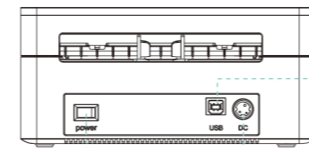
▶ Getting to know the label printer



1 Release Latch

2 Print Head

3 Roller



5 USB Cable Port

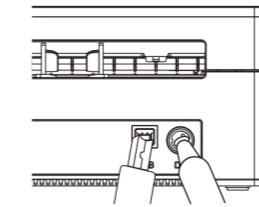
Power Switch
(I: ON, O: OFF)

6 Power Supply Port

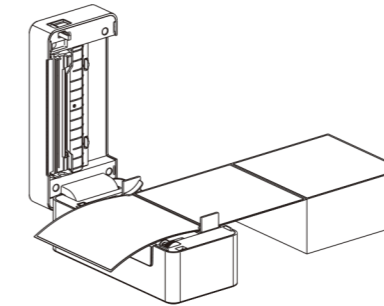
2

▶ Quick start

1. Get your printer started

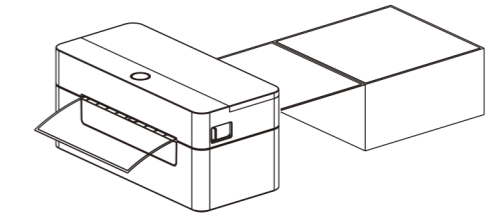


1 Connect the label printer to computer with the USB cable

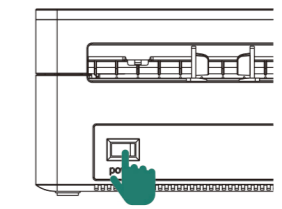


2 Pull the release latch to open the cover and load the label

3



3 Ensure the gray guides are touching the label sides. The label that you peel off should be facing up (toward the ceiling). Then close the cover



4 Turn the power on and wait 5s for the printer to initiate (I: ON, O: OFF)

4

2. DRIVER INSTALLATION

For the latest driver, please visit www.offnova.com/pages/download

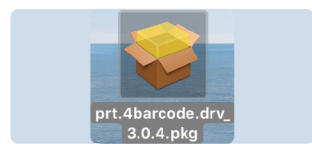
⚠ Before the installation, please ensure the printer is connected and turn on.

For windows

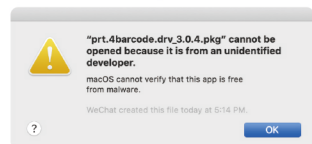
Run the driver and follow the instruction for installation.

For Mac OS

Run the driver and follow the instruction for installation.



1 Click the driver



2 Click "ok"

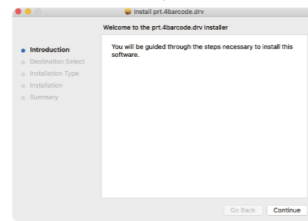
5



3 Under "system preference"



4 Click "open anyway"



5 Install driver

6

3. LED STATUS:

LED Light	Description
Blue	Power on, printer standby to print
Flashing Blue	Downloading data or paused
Purple	Formatting the data
Red	Cover is not closed
Flashing Red	Paper shortage or paper jam

4. MAINTENANCE:

Printer head cleaning steps:

The printer head is a sensitive part of the printer and can be found on the upper part of the printer when open.

Caution: While the printer is running, the printer head can be very hot.

- 4.1 Power off and remove the power cord, then open the cover.
- 4.2 Wait several moments to ensure that the printer head cools down.
- 4.3 Completely clean the printer head using an alcohol swap. Please **DO NOT USE WATER**.
- 4.4 Wait 2-3 minutes until the alcohol has completely vaporized, then close the cover.

Connect the power cord and print a test page to check if it is clean.

7

▶ Professional Tips

- Press the feeder button on the printer to skip a blank label.
- Avoid using poor quality labels as they can damage the printer.
- Regularly clean the printer head under MAINTENANCE guide.
- Labels is jammed
 - 1) Turn off the printer, and allow the printer head to cool down.
 - 2) Open the cover and ensure that the rubber is clean. If it is dirty, use alcohol pad to clean it.
 - 3) Allow the area to dry before turning the printer back on.
- Insert the printer's USB cable into the USB port on your computer every time you plug it in. This will avoid creating duplicate copies of the printer on your computer.
- To print self-test
 - 1) Make sure that the label paper is loaded
 - 2) Turn off the printer
 - 3) Press and holding down the feed button while turn on the printer, the LED blinks 3 times in pink after red, then release the feed button

Note: After printing self-test, you **MUST** turn off and on again to restore it, otherwise its unable to print properly.

8

▶ Safety Tips

- The printer head can become very hot after printing labels. Do not touch the printer head until it has cooled.
- Do not bend the power cord excessively or place objects on the cord. This could result in fire or electrocution.
- Keep the printer out of reach of children.
- Use only approved accessories and do not try to disassemble or repair the unit by yourself.
- Keep the printer away from water and other objects that may destroy or damage the device.
- Printer should remain unplugged when not in use for long periods of time.

9