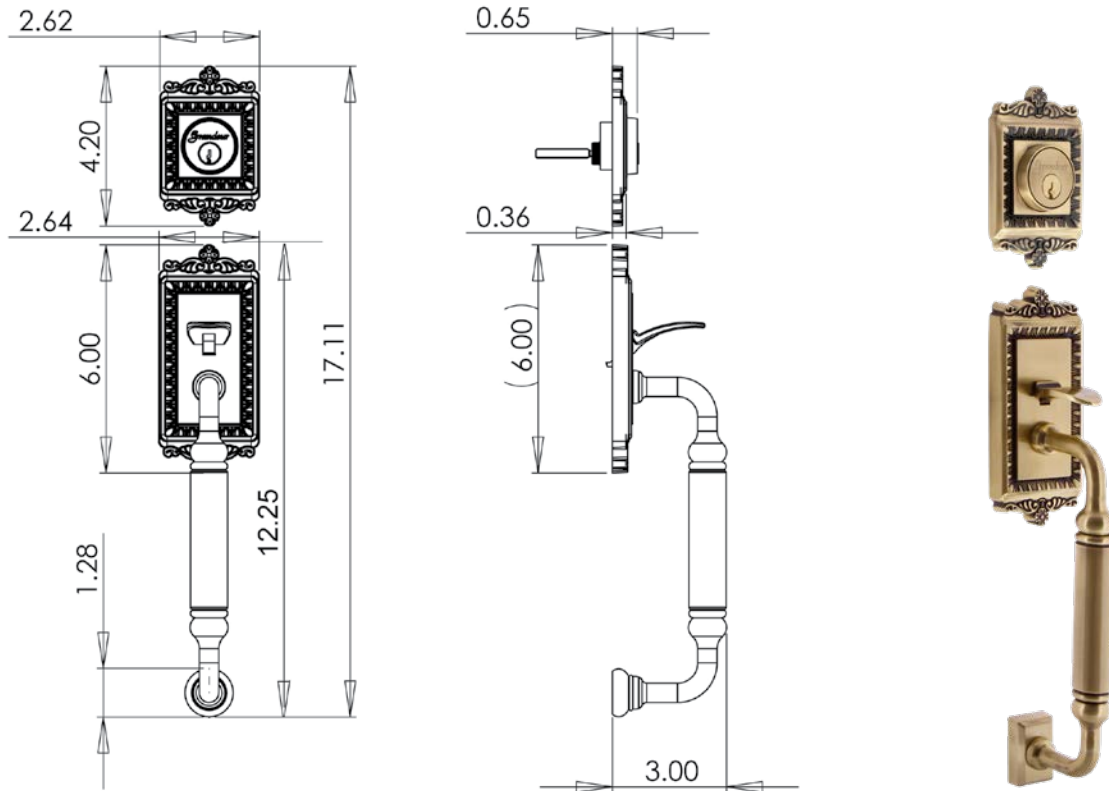


Windsor Sectional Entry Set with C-Grip



Windsor Sectional Entry Set with C-Grip in Vintage Brass

TECHNICAL SPECIFICATIONS

| | |
|-------------------------|--------------------|
| Collection: | Windsor |
| Dimensions: | 2.62" W x 17.11" H |
| Projection: | 3.00" |
| Plate Thickness: | 0.5" |
| Material: | Solid Forged Brass |

AVAILABLE FINISHES



ANTIQUPE
PEWTER



LIFETIME
BRASS



SATIN
NICKEL



TIMELESS
BRONZE



VINTAGE
BRASS