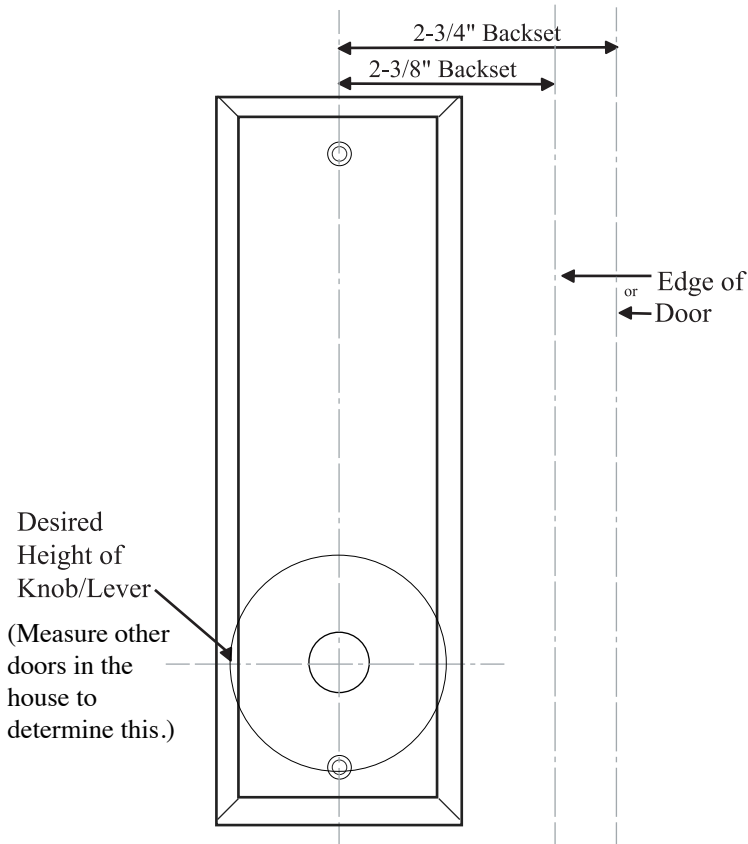


# Tall Plate Door Hardware Installation Instructions

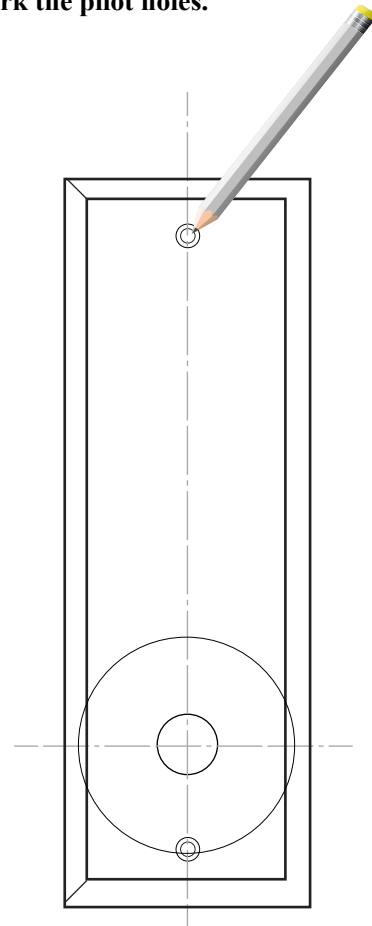
— For doors with or without a 2-1/8" cross-bore

Single Dummy

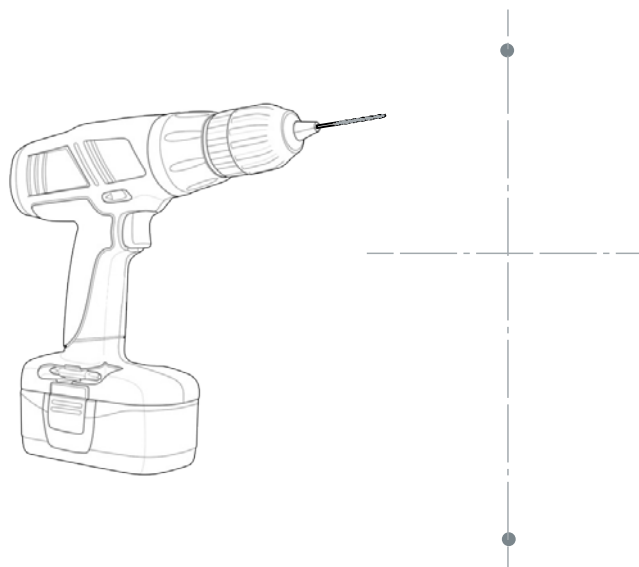
- A** Determine backset (distance between end of door and center of tall plate.) Check other doors in the house to determine backset.



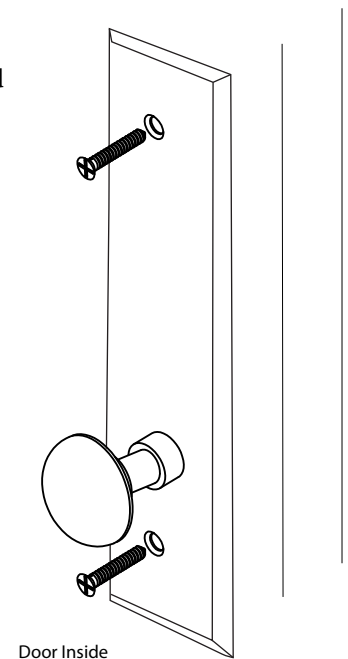
- B** Mark the pilot holes.



- C** Using a 7/64" bit, drill pilot holes for the mounting screws 3/4" deep.



- D** Insert the mounting screws and tighten until snug.

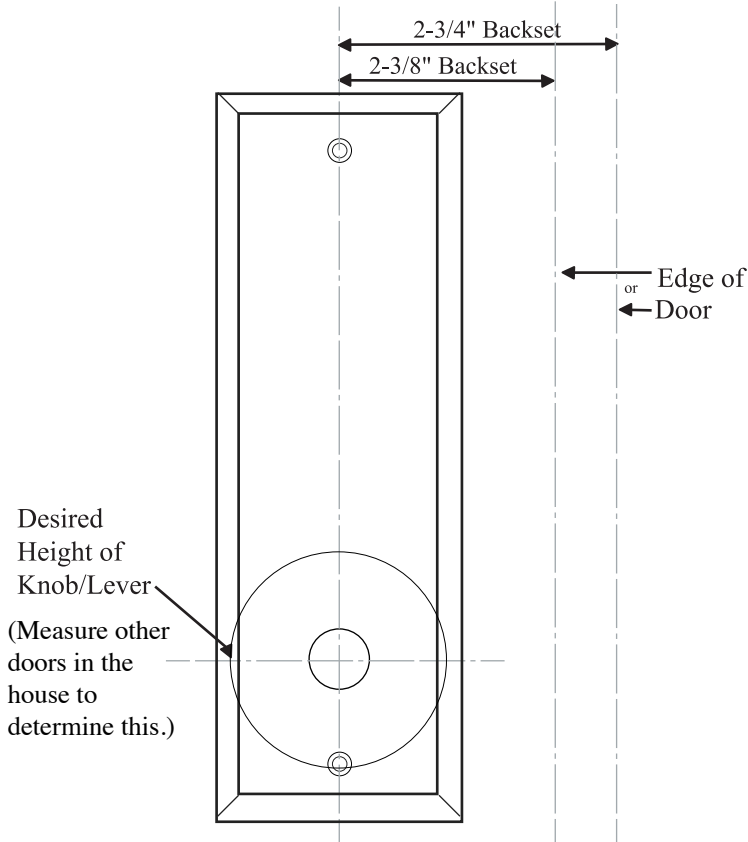


# Tall Plate Door Hardware

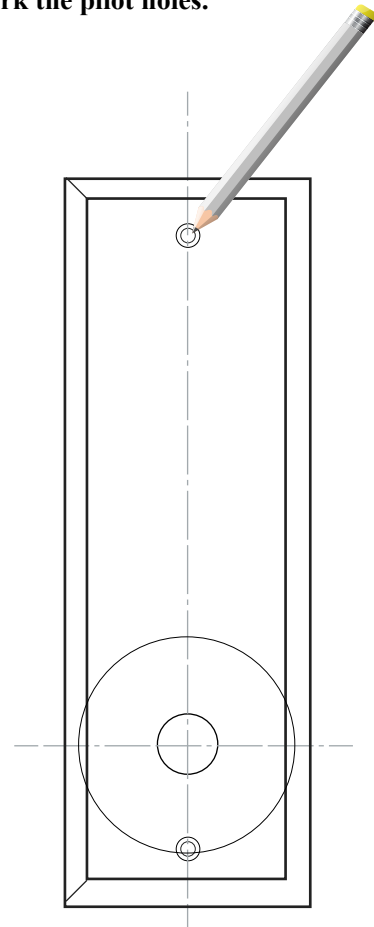
## Installation Instructions — For doors with or without a 2-1/8" cross-bore

Double Dummy

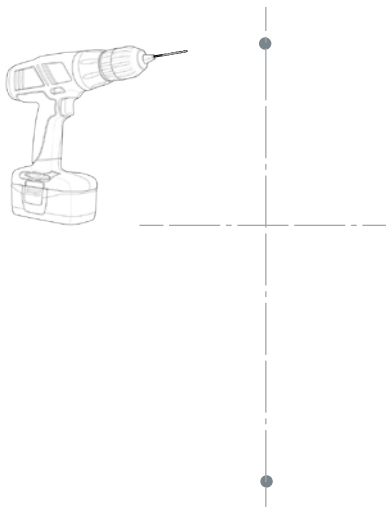
- A** Determine backset (distance between edge of door and center of tall plate.) Check other doors in the house to determine backset.



- B** Mark the pilot holes.

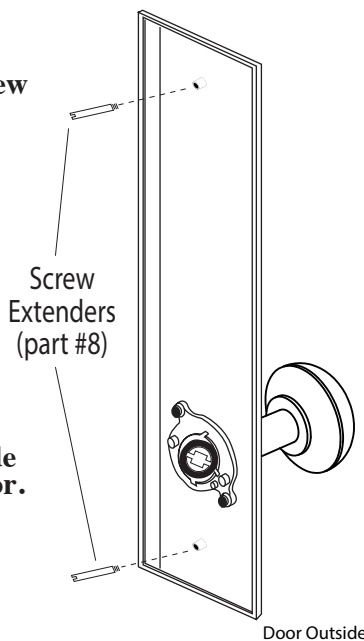


- C** Using a 1/4" drill bit, drill completely through the door.



- D** Install screw extenders into exterior tall plate. Tighten securely.

Place the exterior plate on the outside of the door.



- E** Install the tall plate mounting screws and tighten until snug.

