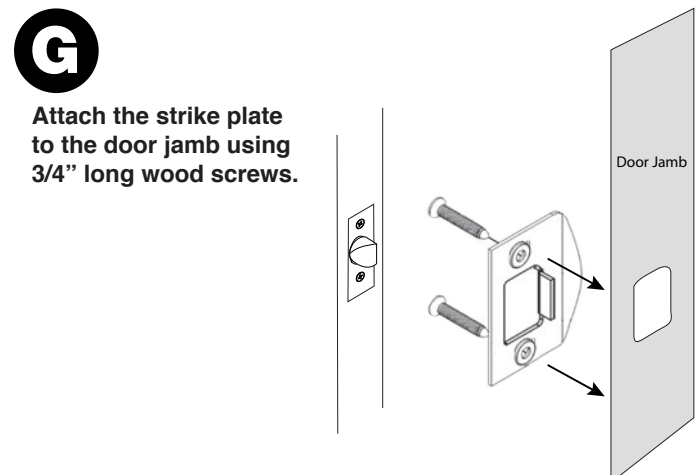
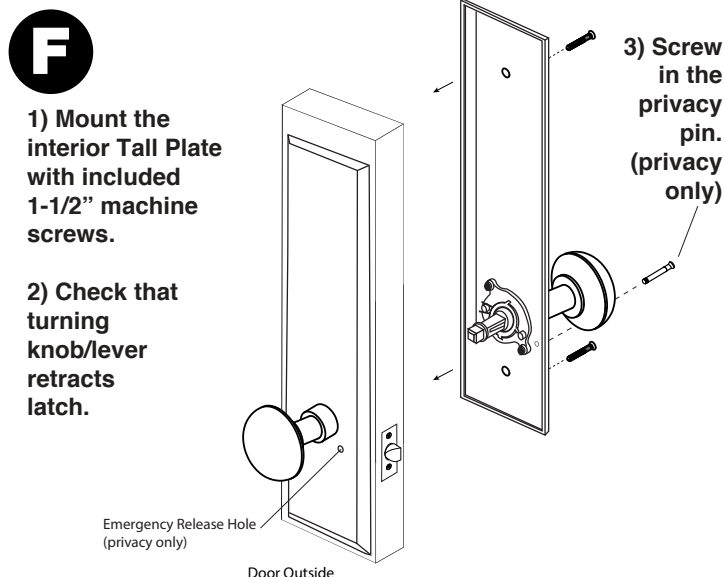
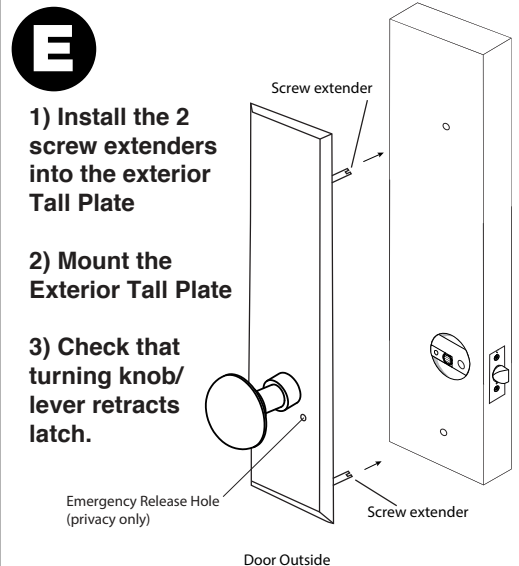
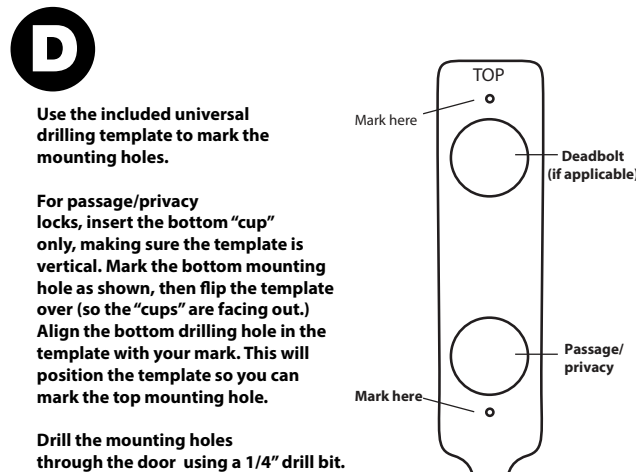
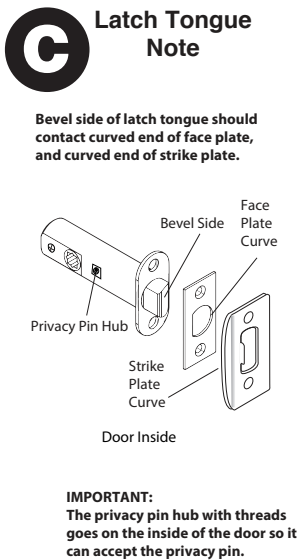
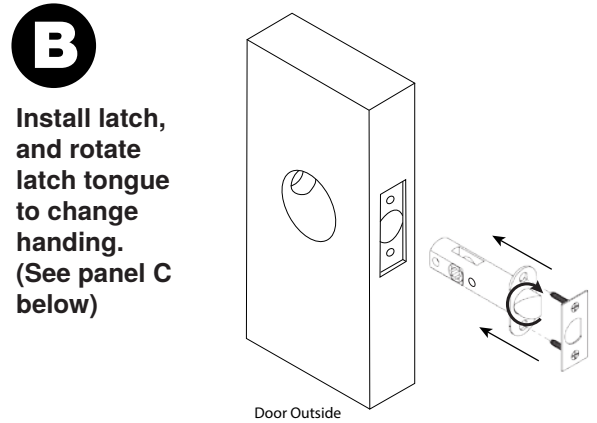
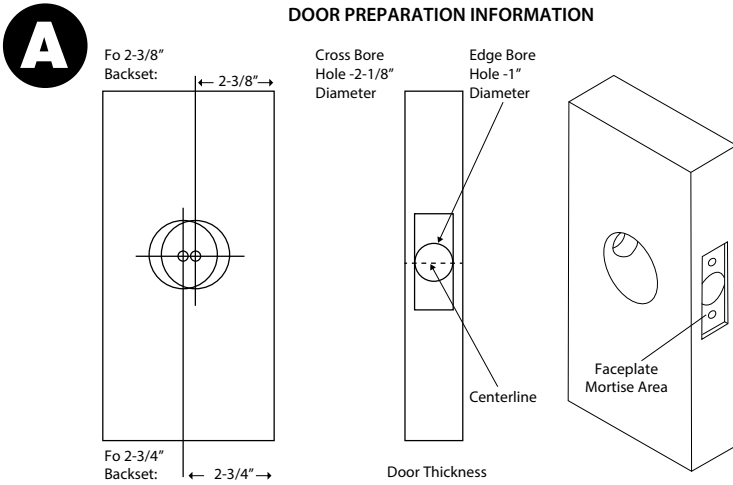


# Tall Plate Door Hardware Installation Instructions

## Passage/Privacy

Note: Passages and privacies for doors 1-3/8" to 2" thick

Tools Required: Drill, 1/4" drill bit, #2 Phillips screwdriver



# Exploded Drawing for Tall Plate Passage/Privacy

