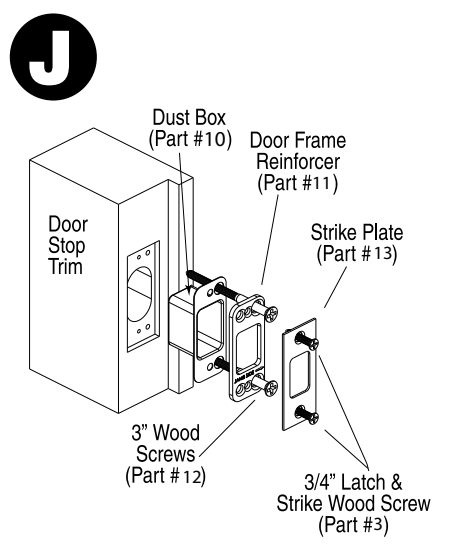
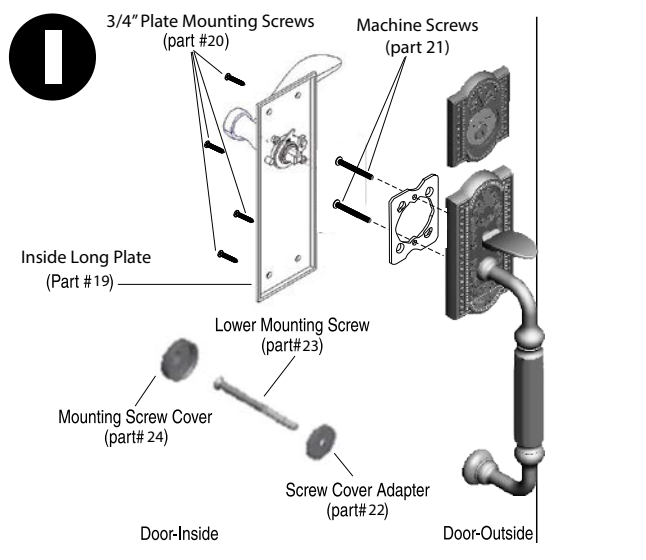
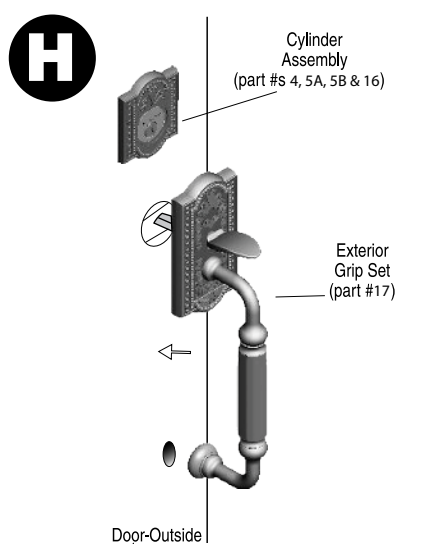
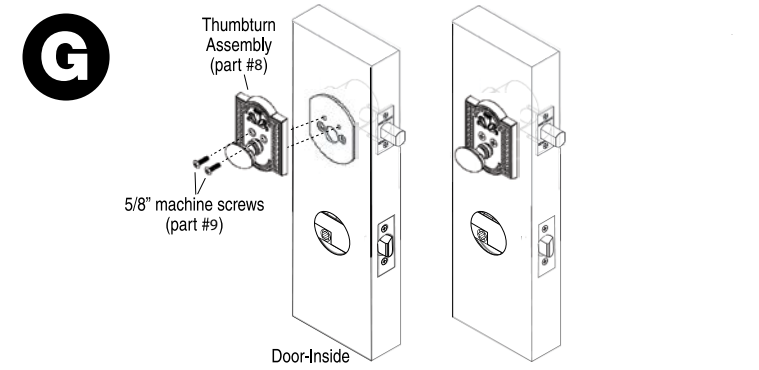
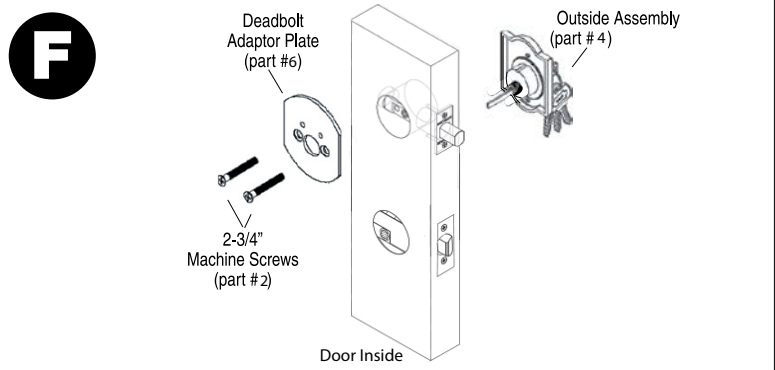
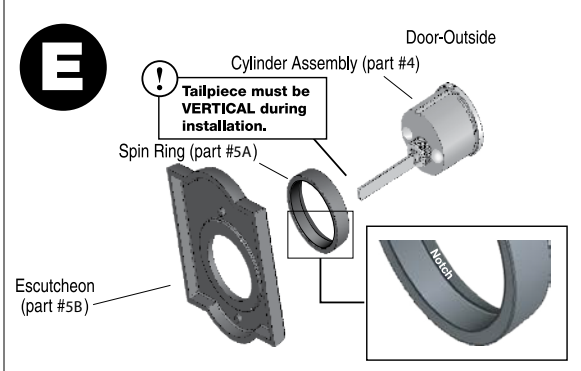
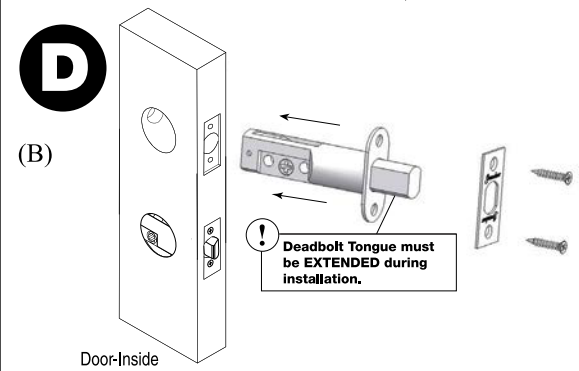
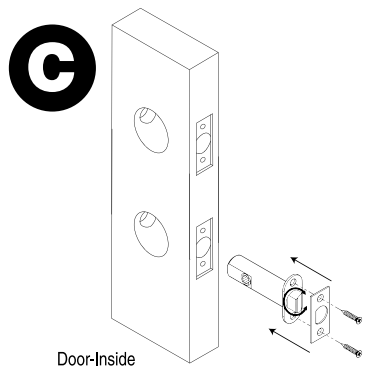
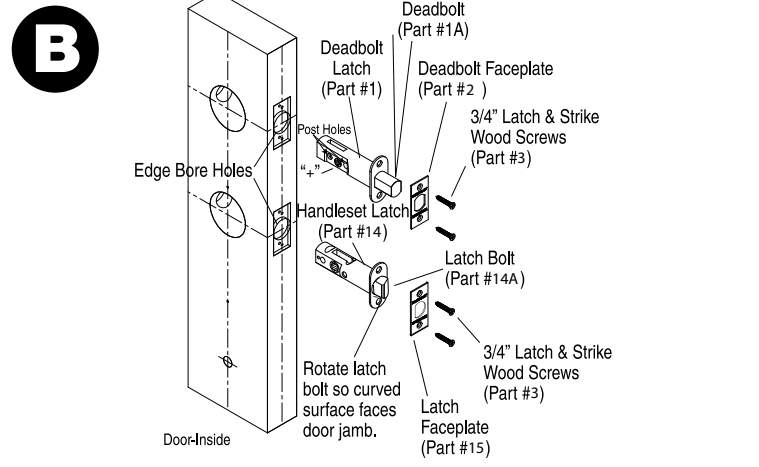
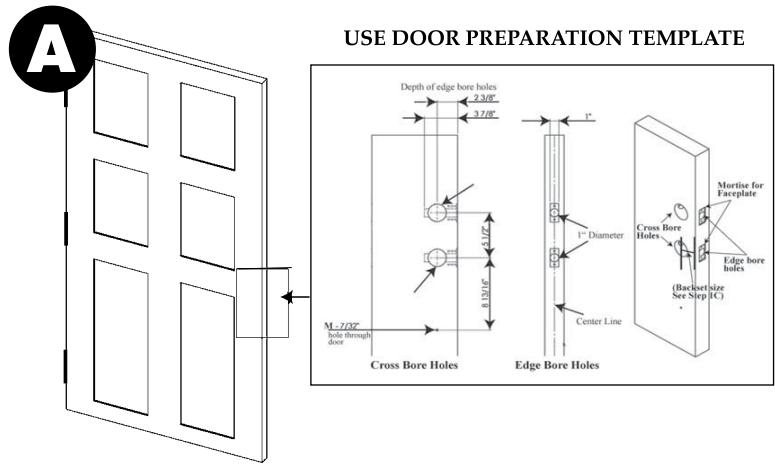


Single Cylinder Handleset Installation Instructions

Updated June 2016

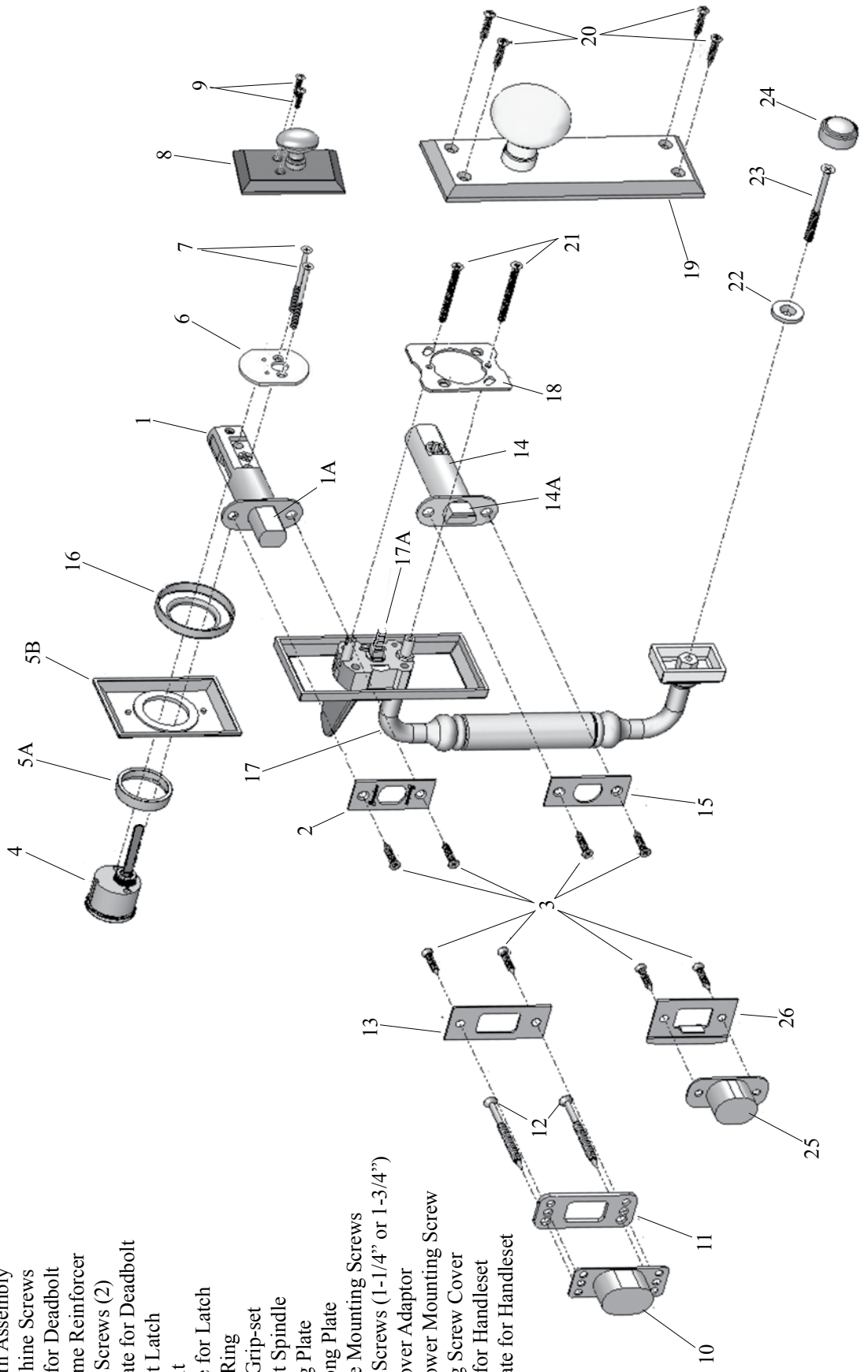
Long Plate

Note: Handlesets fit doors 1-3/4" to 2-1/4" thick.



Exploded Drawing Single Cylinder Long Plate Handleset

Part Number	Description
1	Deadbolt Latch
1A	Deadbolt
2	Faceplate for Deadbolt
3	3/4" Latch & Strike Wood Screws (8)
4	Cylinder Assembly
4A	Cylinder Bar
5A	Spin Ring
5B	Escutcheon
6	Deadbolt Adapter Plate
7	2-3/4" Machine Screws
8	Thumbturn Assembly
9	5/8" Machine Screws
10	Dustbox for Deadbolt
11	Door Frame Reinforcer
12	3" Wood Screws (2)
13	Strike Plate for Deadbolt
14	Handleset Latch
14A	Latch bolt
15	Faceplate for Latch
16	Security Ring
17	Exterior Grip-set
17A	Handleset Spindle
18	Mounting Plate
19	Inside Long Plate
20	3/4" Plate Mounting Screws
21	Machine Screws (1-1/4" or 1-3/4")
22	Screw Cover Adaptor
23	2-7/8" Lower Mounting Screw
24	Mounting Screw Cover
25	Dustbox for Handleset
26	Strike Plate for Handleset

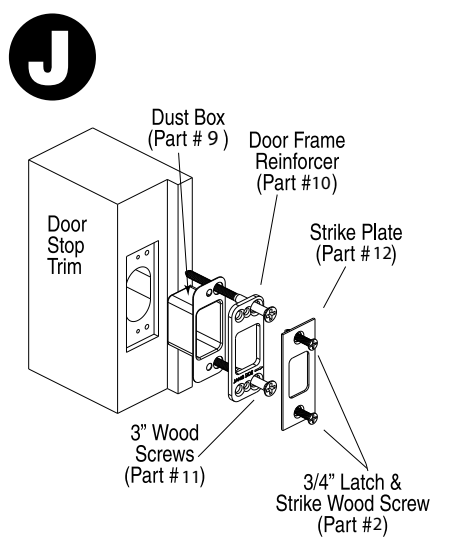
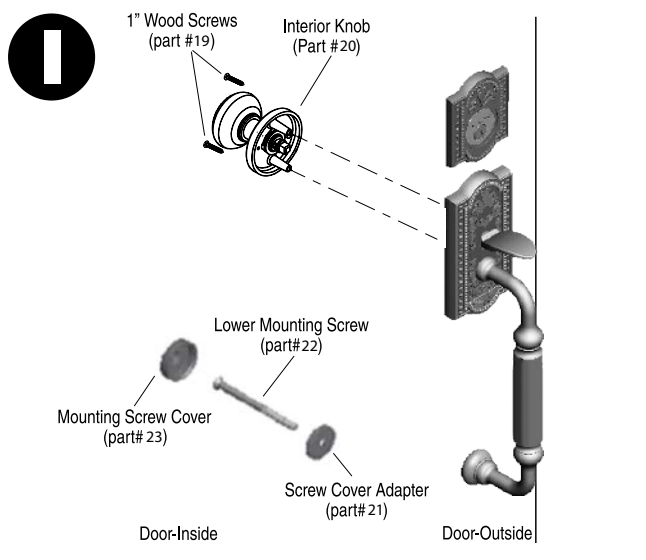
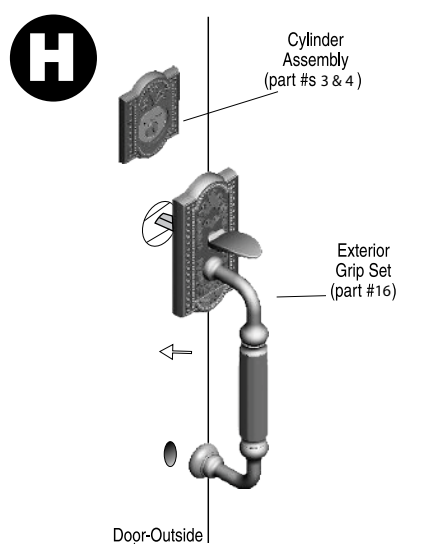
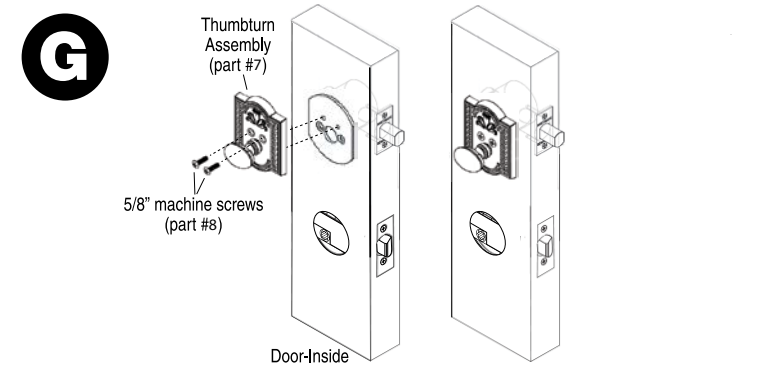
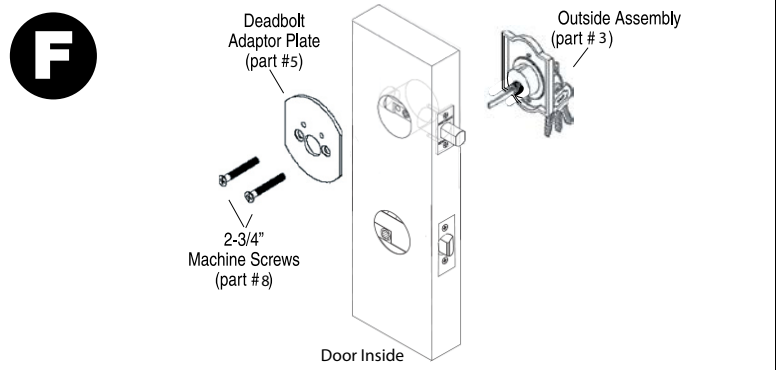
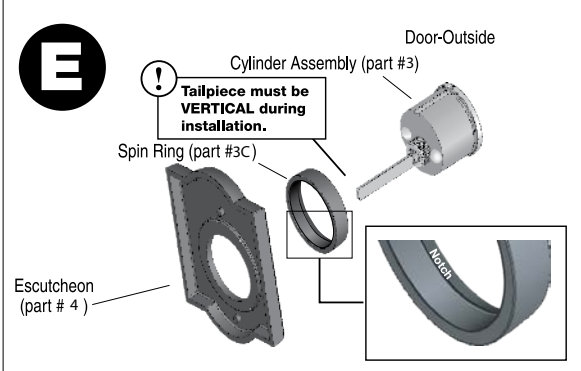
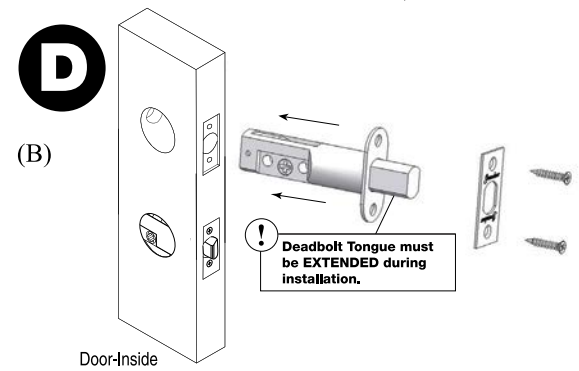
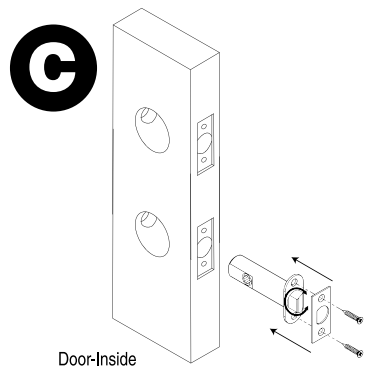
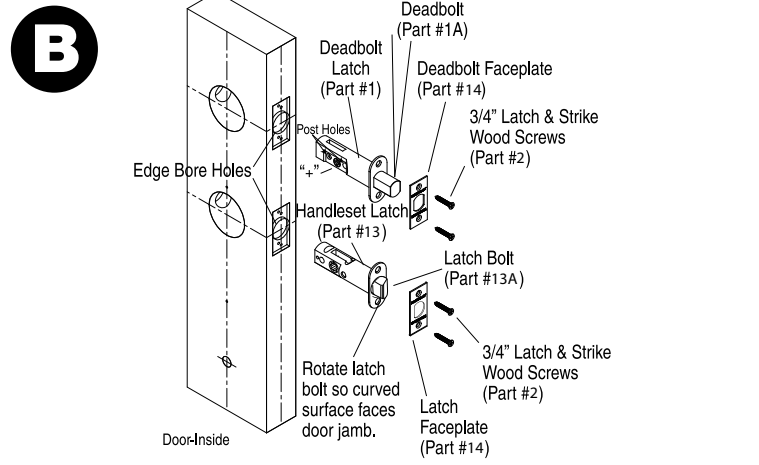
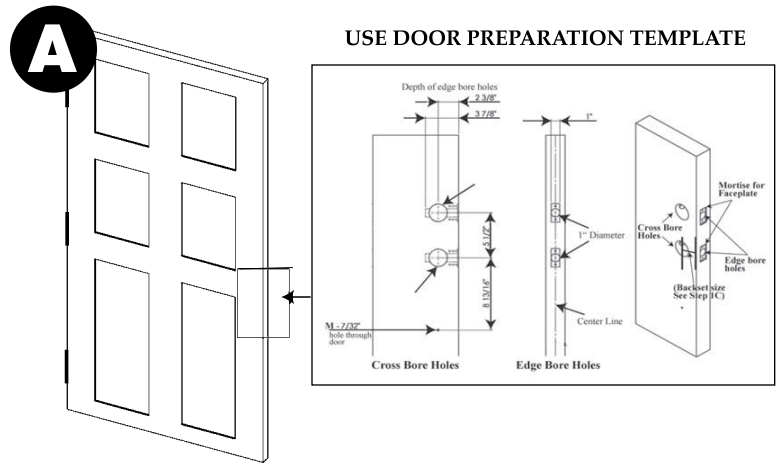


Single Cylinder Handleset Installation Instructions

Updated June 2016

Rosette

Note: Handlesets fit doors 1-3/4" to 2-1/4" thick.



Exploded Drawing Single Cylinder Rosette Handleset

Part Number	Description
1	Deadbolt Latch
1A	Deadbolt
2	Faceplate for Deadbolt
3	1" Latch & Strike Wood Screws (8)
4	Cylinder Assembly
4A	Spin Ring
5	Escutcheon
6	Deadbolt Adaptor Plate
7	Machine Screws (2 each of 2 lengths)
8	Thumbturn Assembly
9	5/8" Thumbturn Machine Screws (2)
10	Dustbox for Deadbolt
11	Door Frame Reinforcer
12	3" Wood Screws (2)
13	Strike Plate for Deadbolt
14	Handleset Latch
14A	Latch bolt
15	Faceplate for Latch
16	Security Ring
17	Exterior Grip-set
17A	Handleset Spindle
18	<i>Not needed for Rosette Installation</i>
19	Inside Trim
20	1-3/4" Rosette Mounting Screws
21	<i>Not needed for Rosette Installation</i>
22	Screw Cover Adaptor
23	Lower Mounting Screw (2 lengths)
24	Mounting Screw Cover
25	Dustbox for Handleset
26	Strike Plate for Handleset
27	Anti-Rotation Block

