

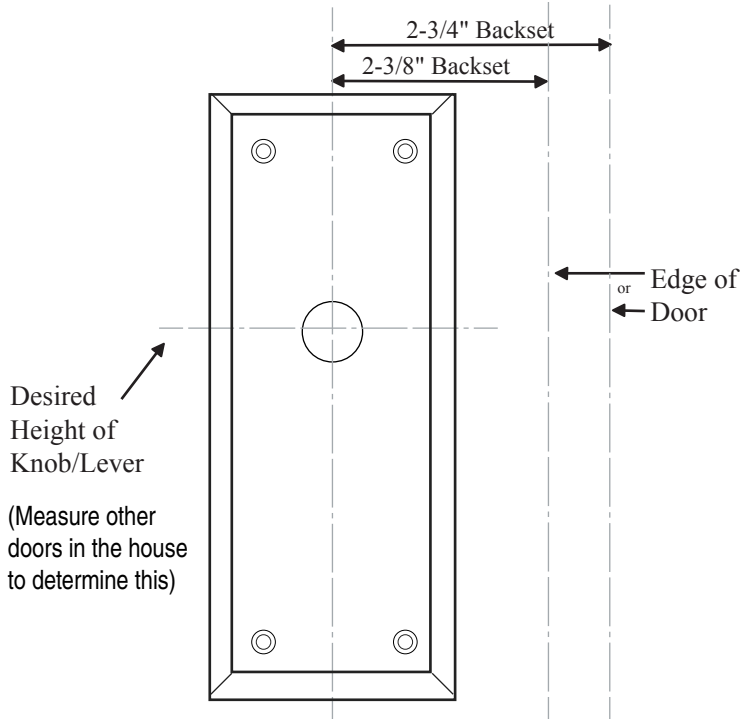
Long Plate Door Hardware

Installation Instructions — For doors without a 2-1/8" cross-bore

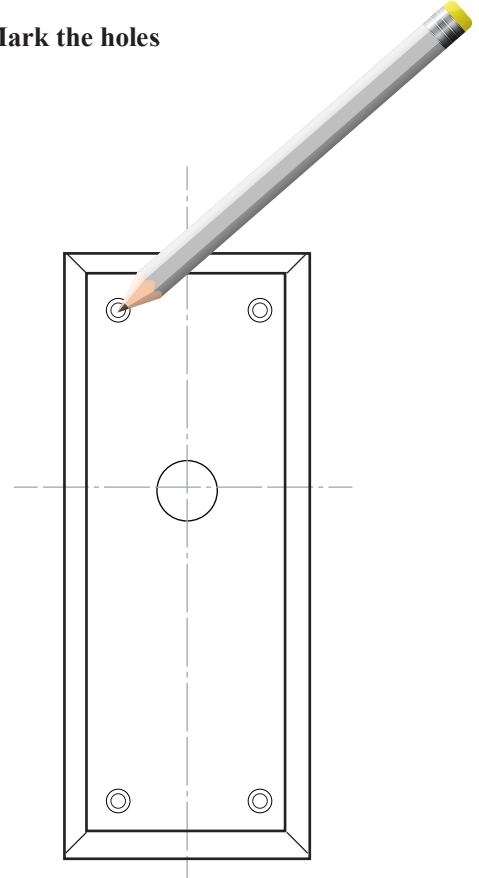
Updated November 2015

Dummy

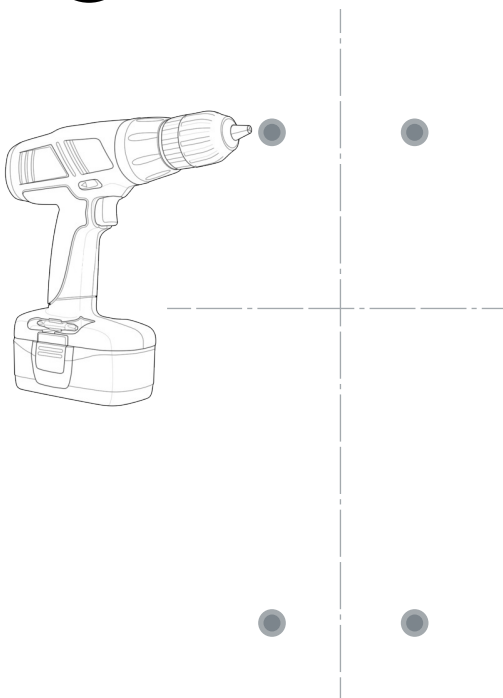
- A** Determine backset (distance between edge of door and center of rosette.) Check other doors in the house to determine backset.



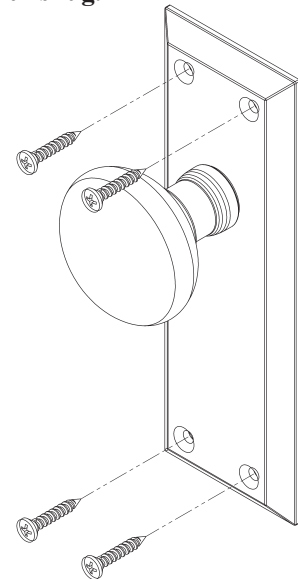
- B** Mark the holes



- C** Using a 7/64" drill bit, drill the screw holes at least 3/4" deep.



- D** Insert the long plate screws and tighten until snug.



Grandeur
By NOSTALGIC
WAREHOUSE