

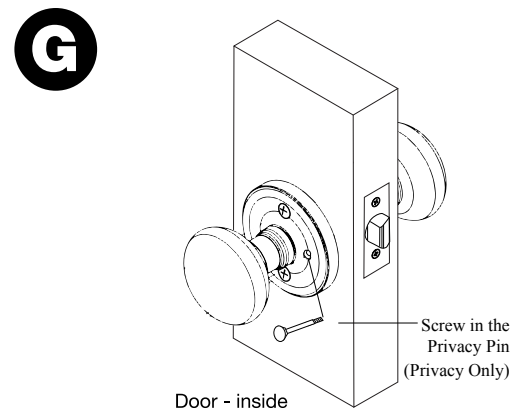
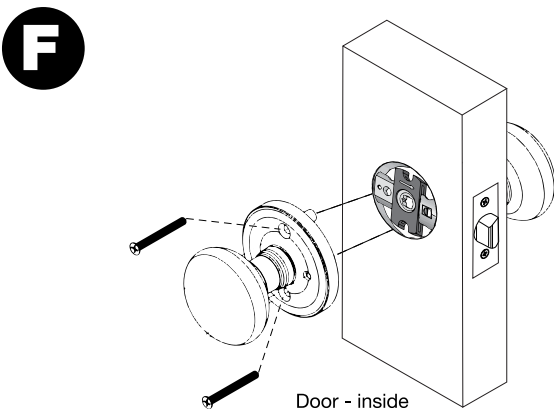
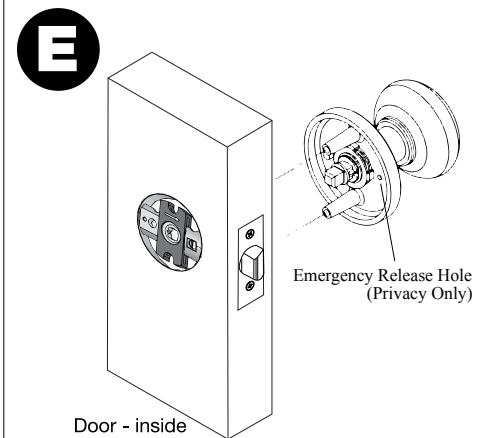
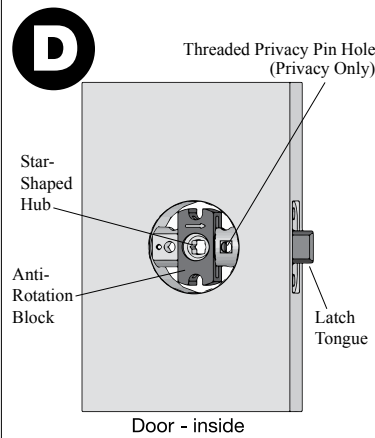
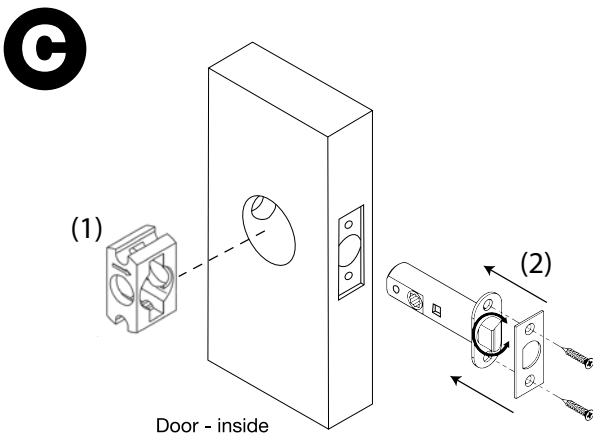
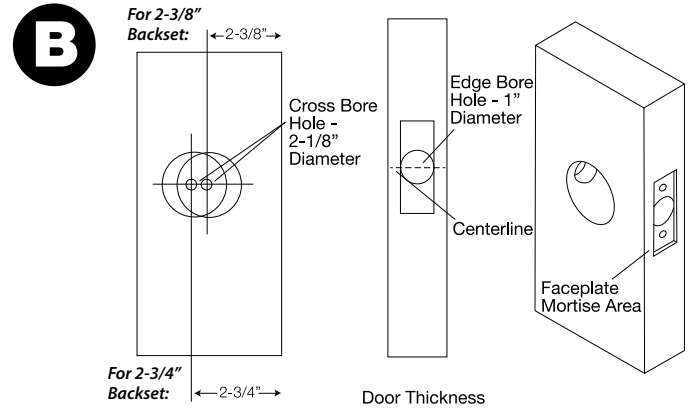
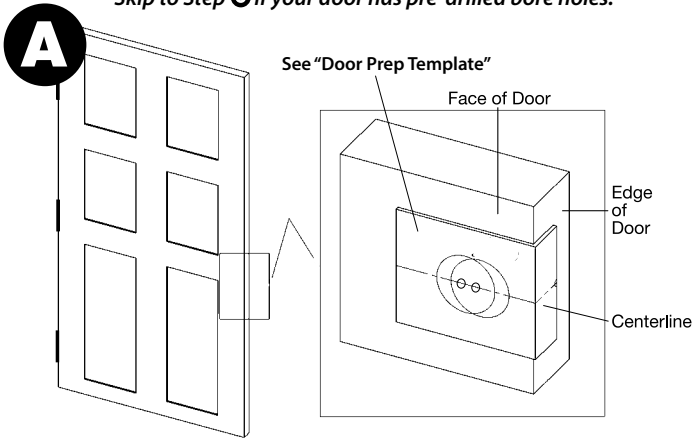
Rosette Door Hardware Installation Instructions

Updated June 2016

Passage/Privacy

Note: Passages and privacies fit doors 1-3/8" to 1-3/4" thick

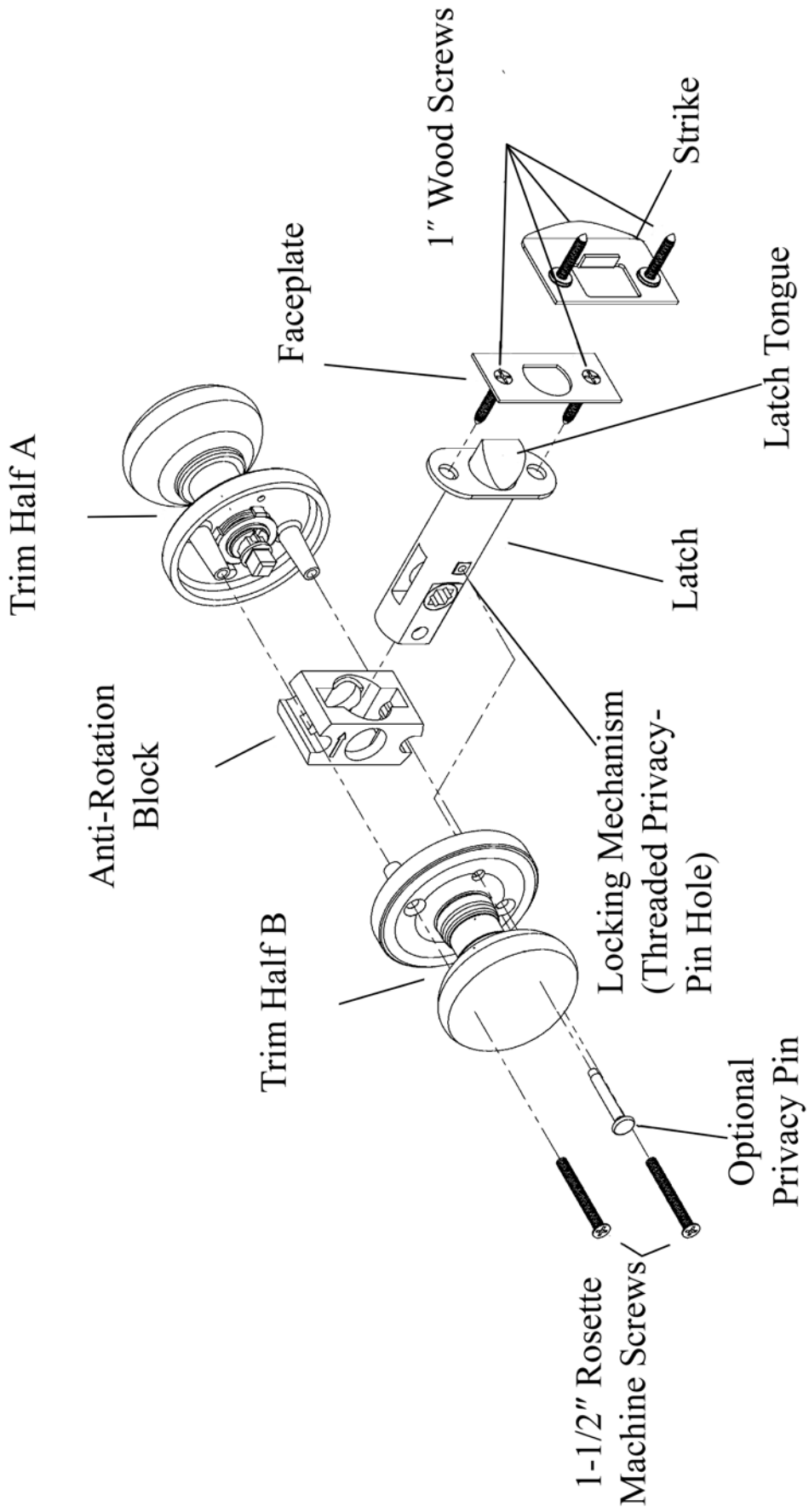
Skip to Step **G** if your door has pre-drilled bore holes.



Grandeur[®]
Luxury for Life™

For assistance call 1-844-372-6848 Monday through Friday, 7 am to 4 pm Mountain Time
or visit www.GrandeurHardware.com/support

PK143 Rev.3 06022016

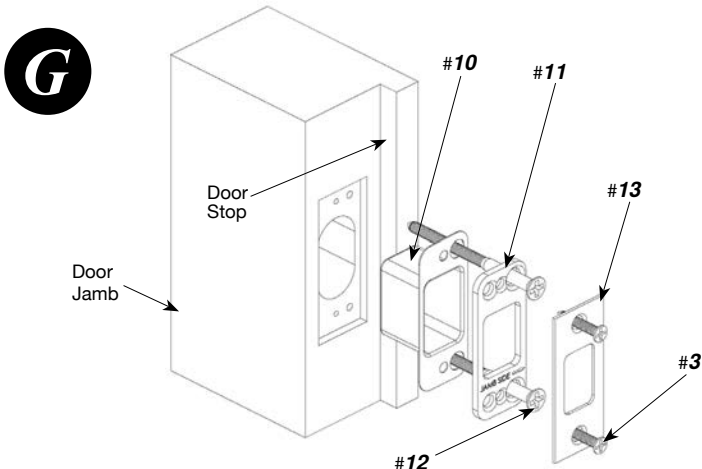
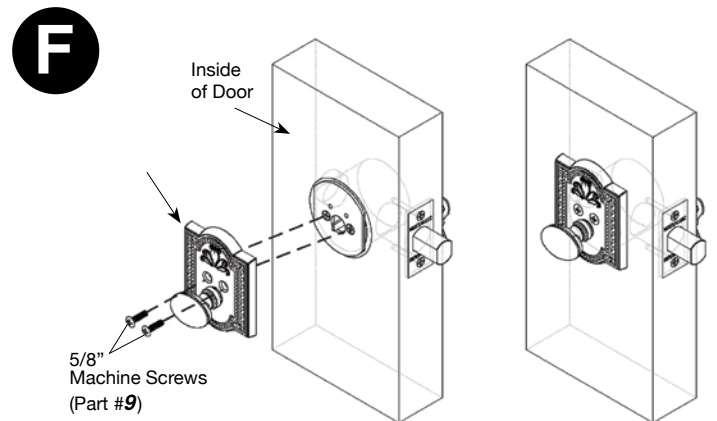
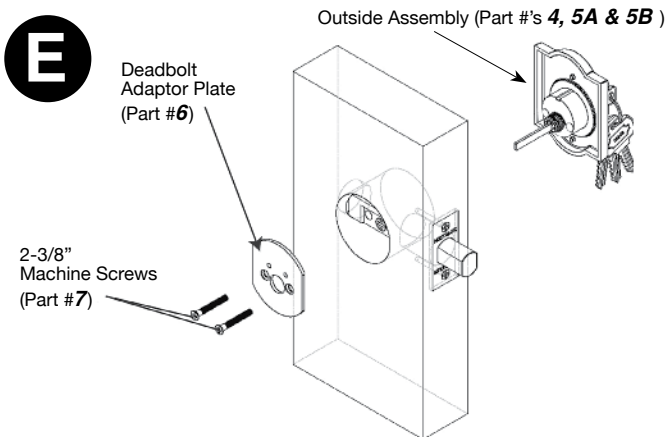
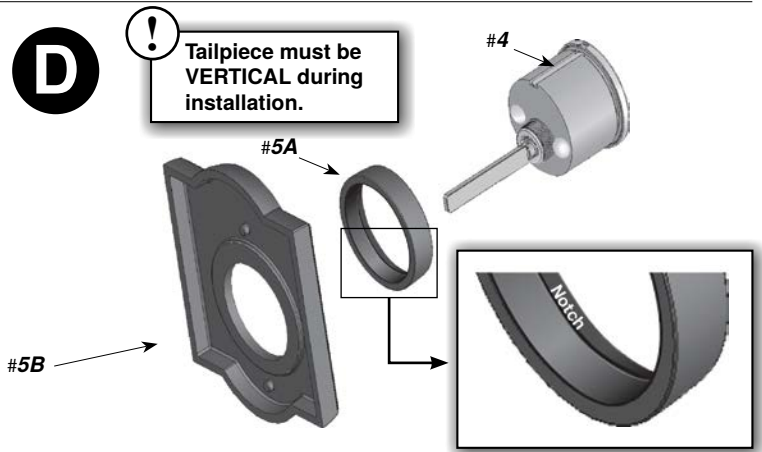
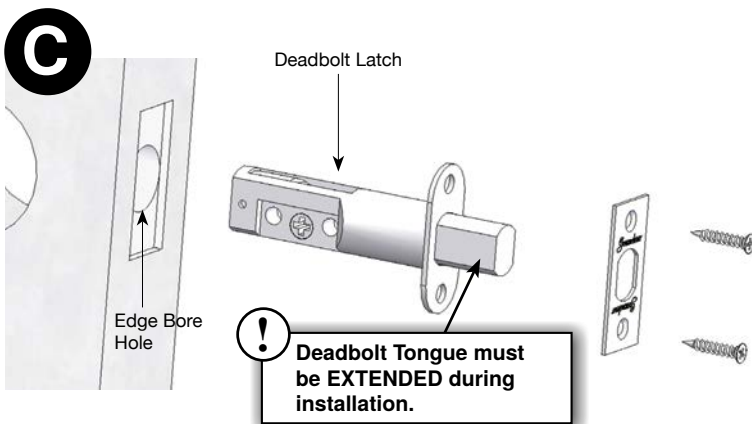
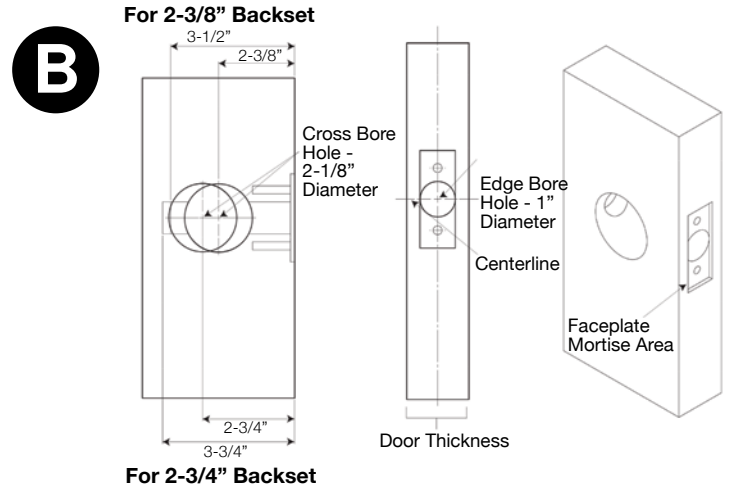
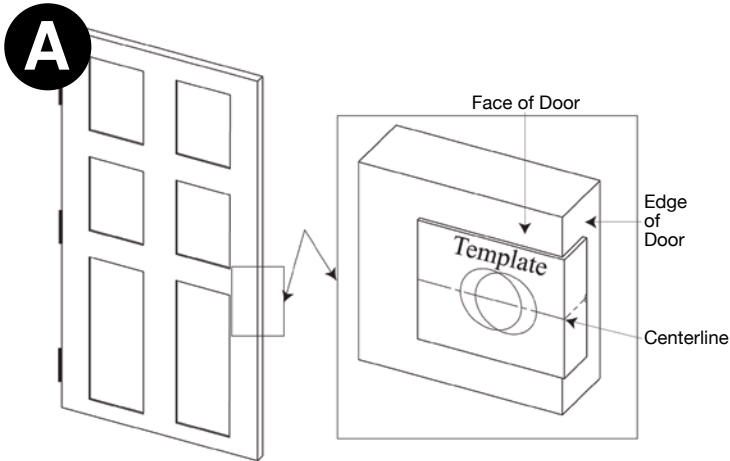


Door Hardware Installation Instructions

Updated June 2016

Single Cylinder Deadbolt

*NOTE: Deadbolts fit doors 1-3/4" to 2-1/4" thick.
For thicker doors, please call customer service.*

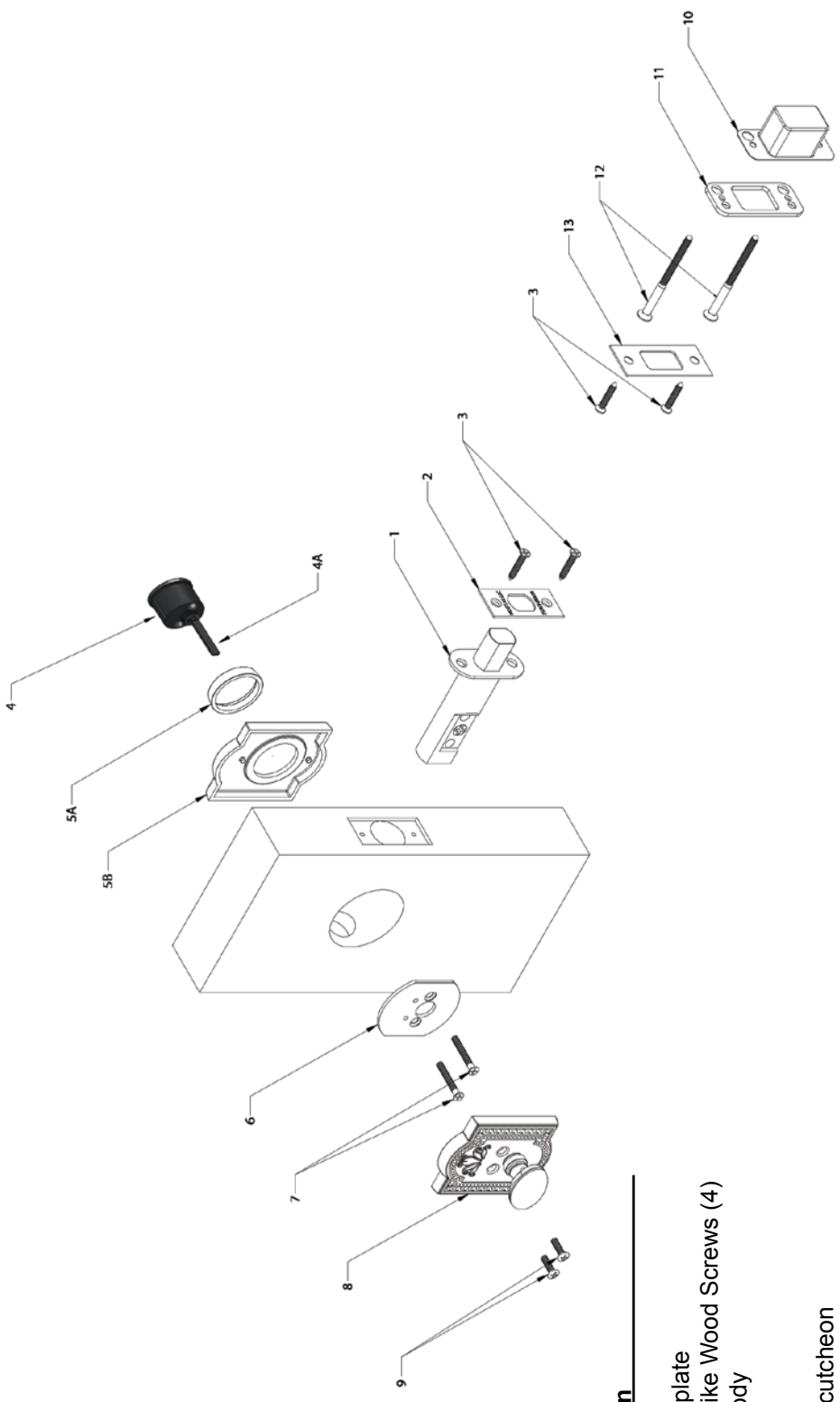


Grandeur
Luxury for Life™

For assistance call 1-844-372-6848 Mon-Fri, 7 am—4pm MST
or visit www.GrandeurHardware.com/support

*NOTE: Deadbolts fit doors 1-3/4" to 2-1/4" thick.
For thicker doors, please call customer service.*

Single Cylinder Deadbolt Exploded Parts Drawing



Part #	Part Description
1	Latch
2	Latch Faceplate
3	Latch & Strike Wood Screws (4)
4	Cylinder Body
4A	Tailpiece
5A	Spin Ring
5B	Outside Escutcheon
6	Deadbolt Adapter Plate
7	2-3/8" Machine Screws (2)
8	Thumbturn Assembly
9	5/8" Thumbturn Machine Screws (2)
10	Dust Box
11	Door Frame Reinforcer
12	3" Reinforcer Wood Screws (2)
13	Strike Plate