

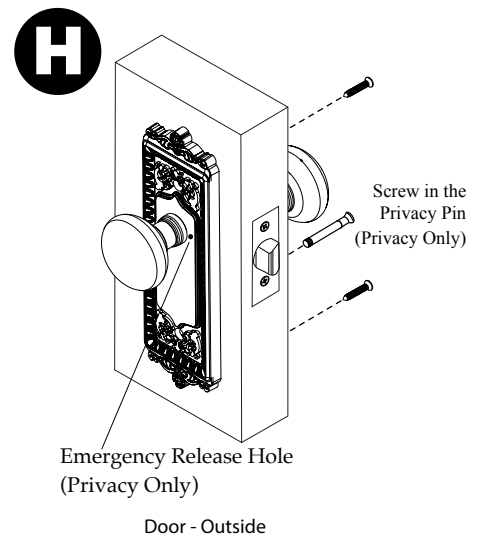
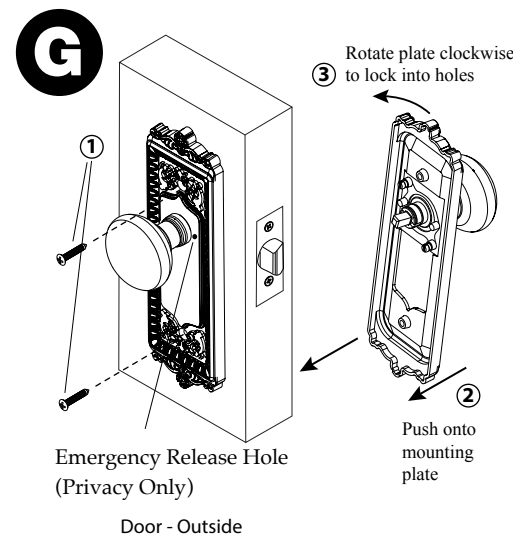
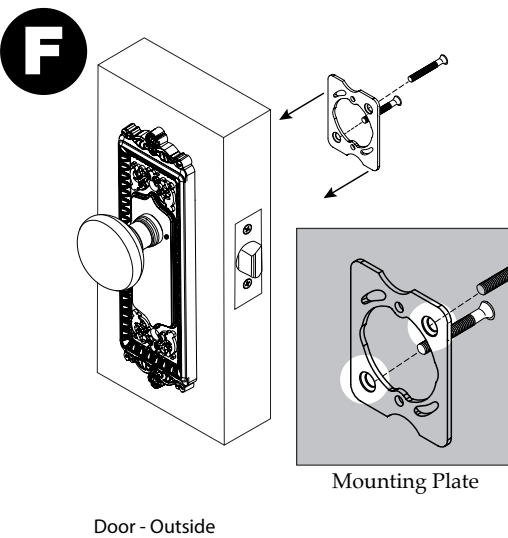
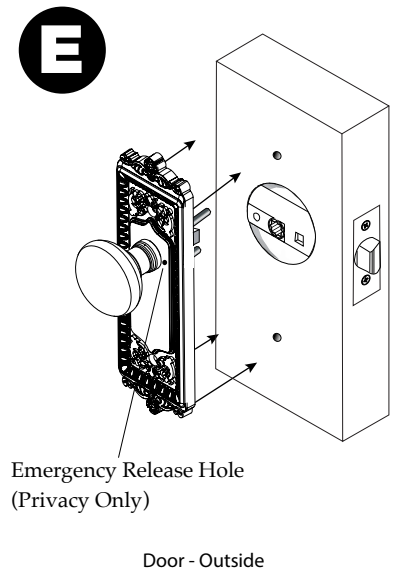
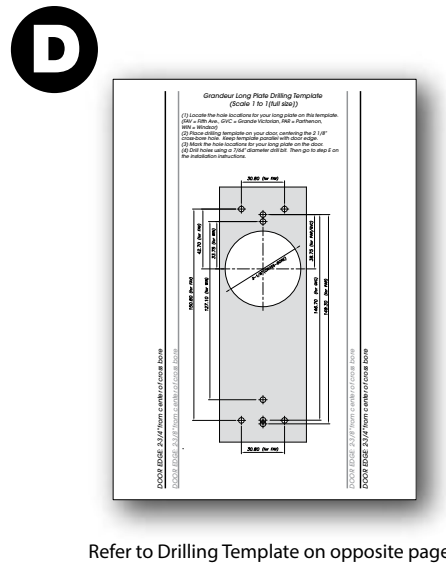
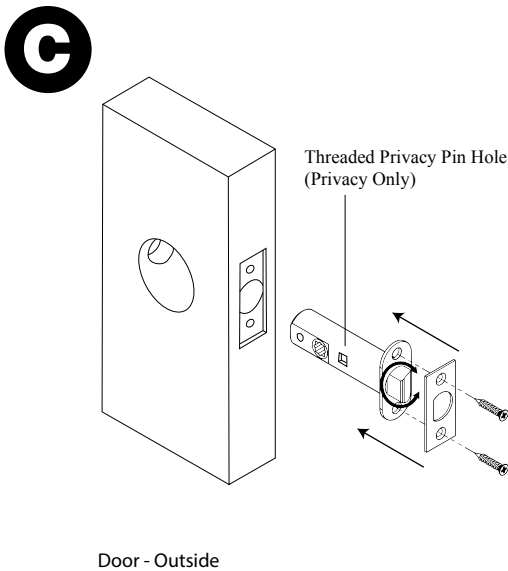
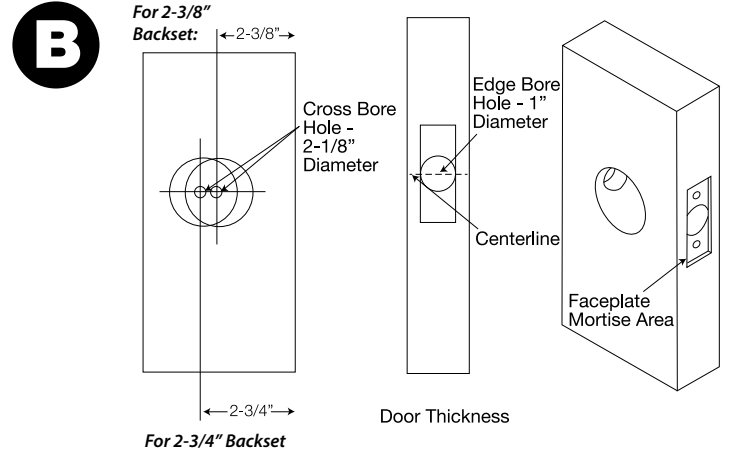
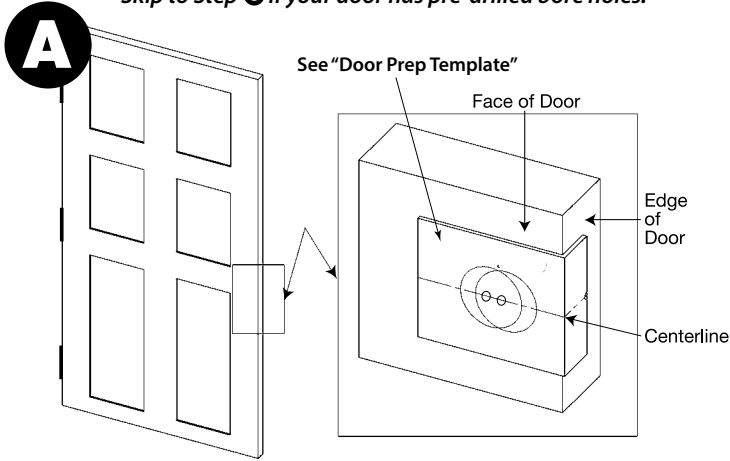
Long Plate Door Hardware Installation Instructions

Updated June 2016

Passage/Privacy

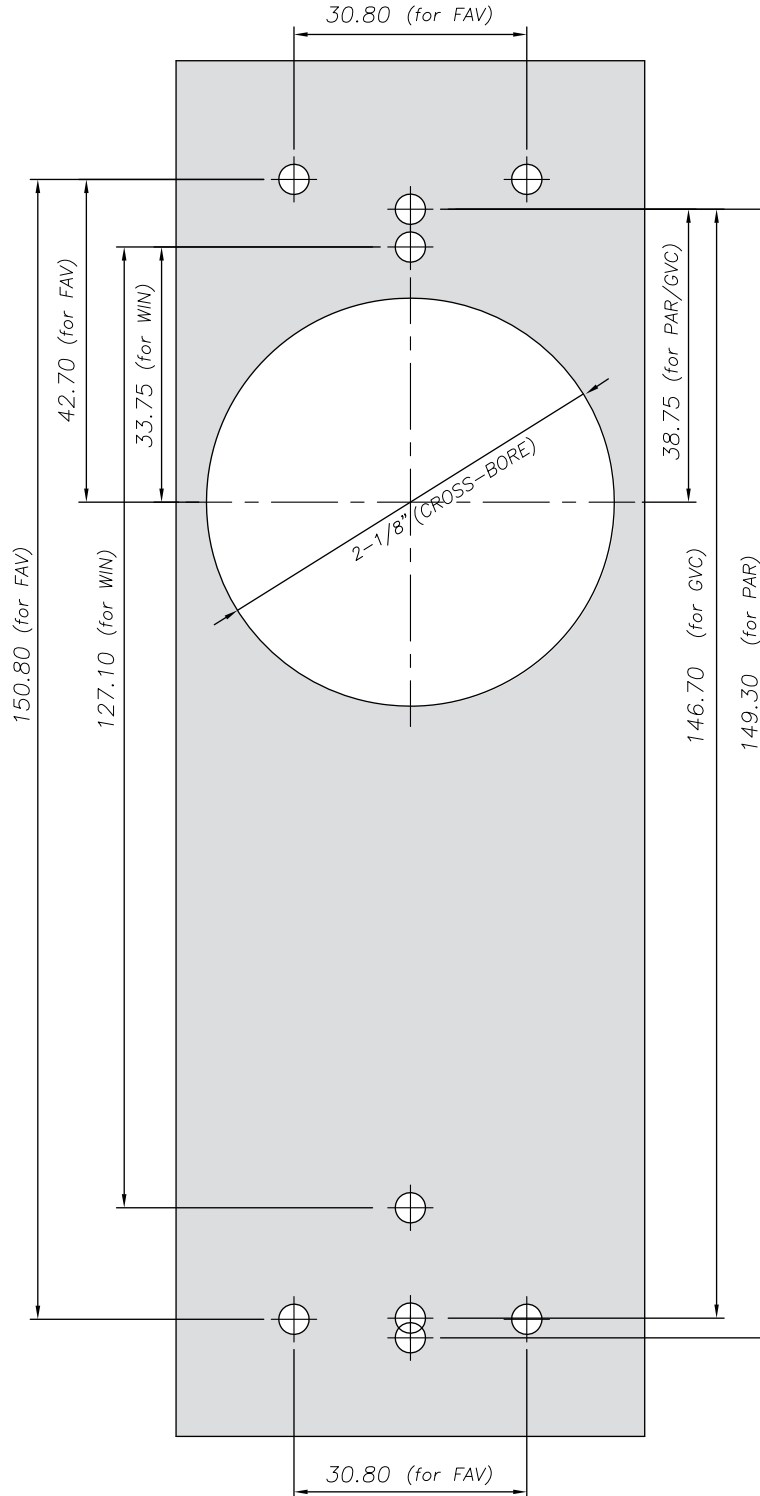
Note: Passages and privacies fit doors 1-3/8" to 1-3/4" thick

Skip to Step **C** if your door has pre-drilled bore holes.



Grandeur Long Plate Drilling Template (Scale 1 to 1 (full size))

- (1) Locate the hole locations for your long plate on this template.
(FAV = Fifth Ave., GVC = Grande Victorian, PAR = Parthenon, WIN = Windsor)
- (2) Place drilling template on your door, centering the 2 1/8" cross-bore hole. Keep template parallel with door edge.
- (3) Mark the hole locations for your long plate on the door.
- (4) Drill holes using a 7/64" diameter drill bit. Then go to step E on the installation instructions.



DOOR EDGE: 2-3/4" from center of cross bore

DOOR EDGE: 2-3/8" from center of cross bore

DOOR EDGE: 2-3/8" from center of cross bore

DOOR EDGE: 2-3/4" from center of cross bore

1-1/4" Machine Screws

Inside Trim Half

1" Oval Head Wood Screws

Strike

1" Flat Head Wood Screws

Faceplate

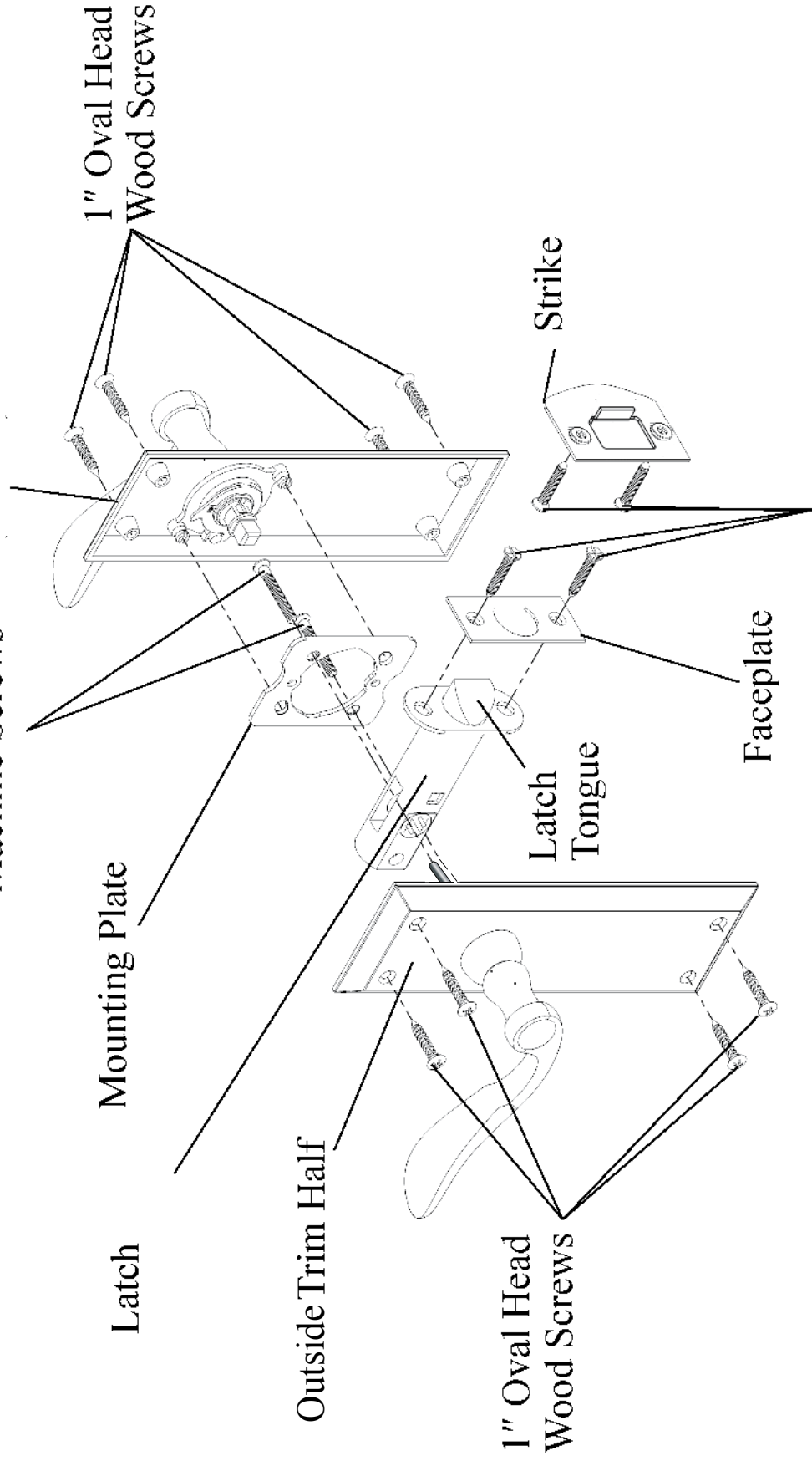
Latch Tongue

Mounting Plate

Latch

Outside Trim Half

1" Oval Head Wood Screws

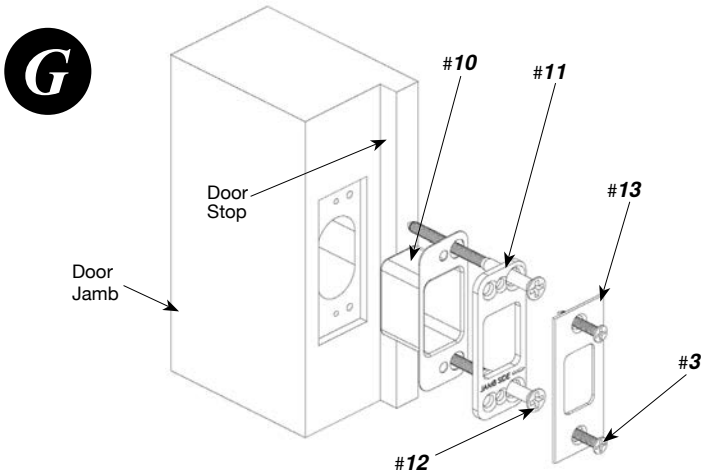
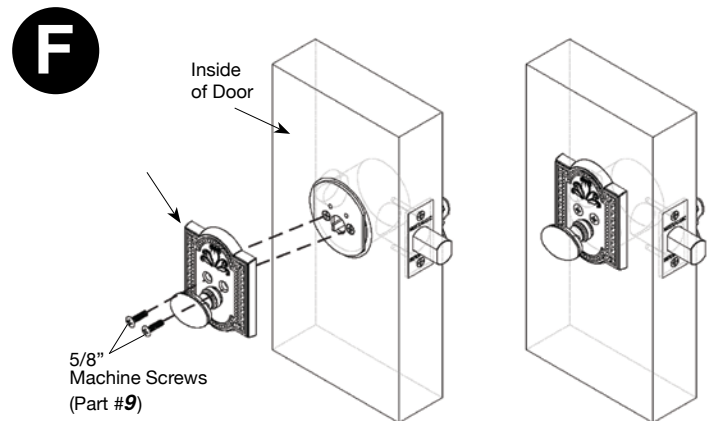
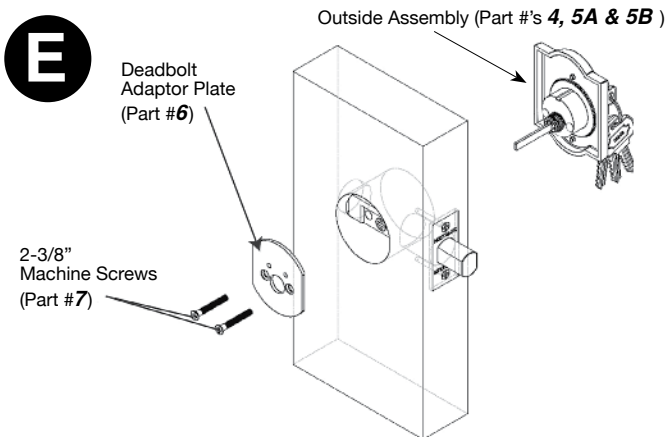
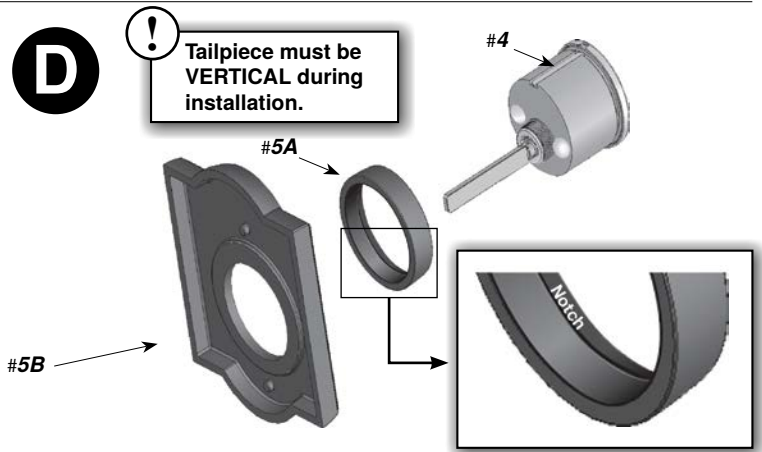
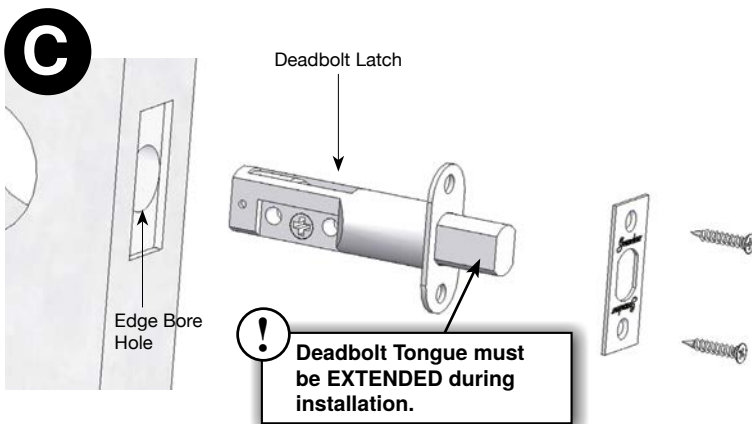
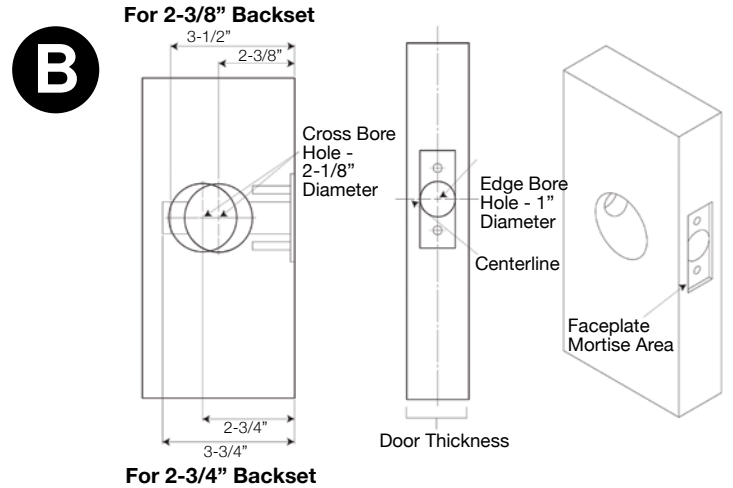
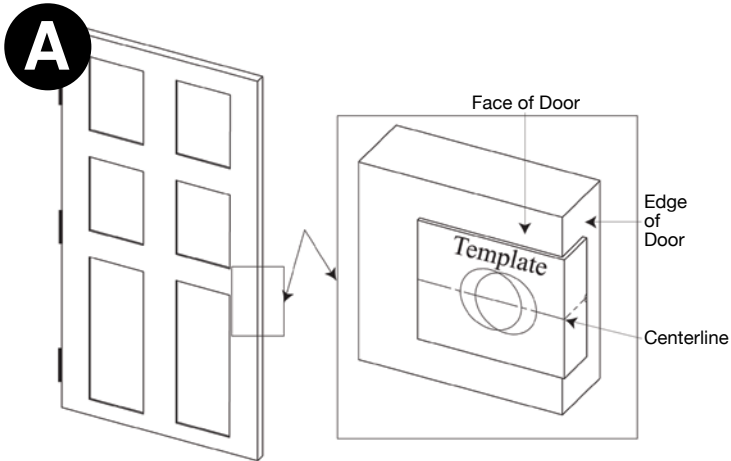


Door Hardware Installation Instructions

Updated June 2016

Single Cylinder Deadbolt

*NOTE: Deadbolts fit doors 1-3/4" to 2-1/4" thick.
For thicker doors, please call customer service.*

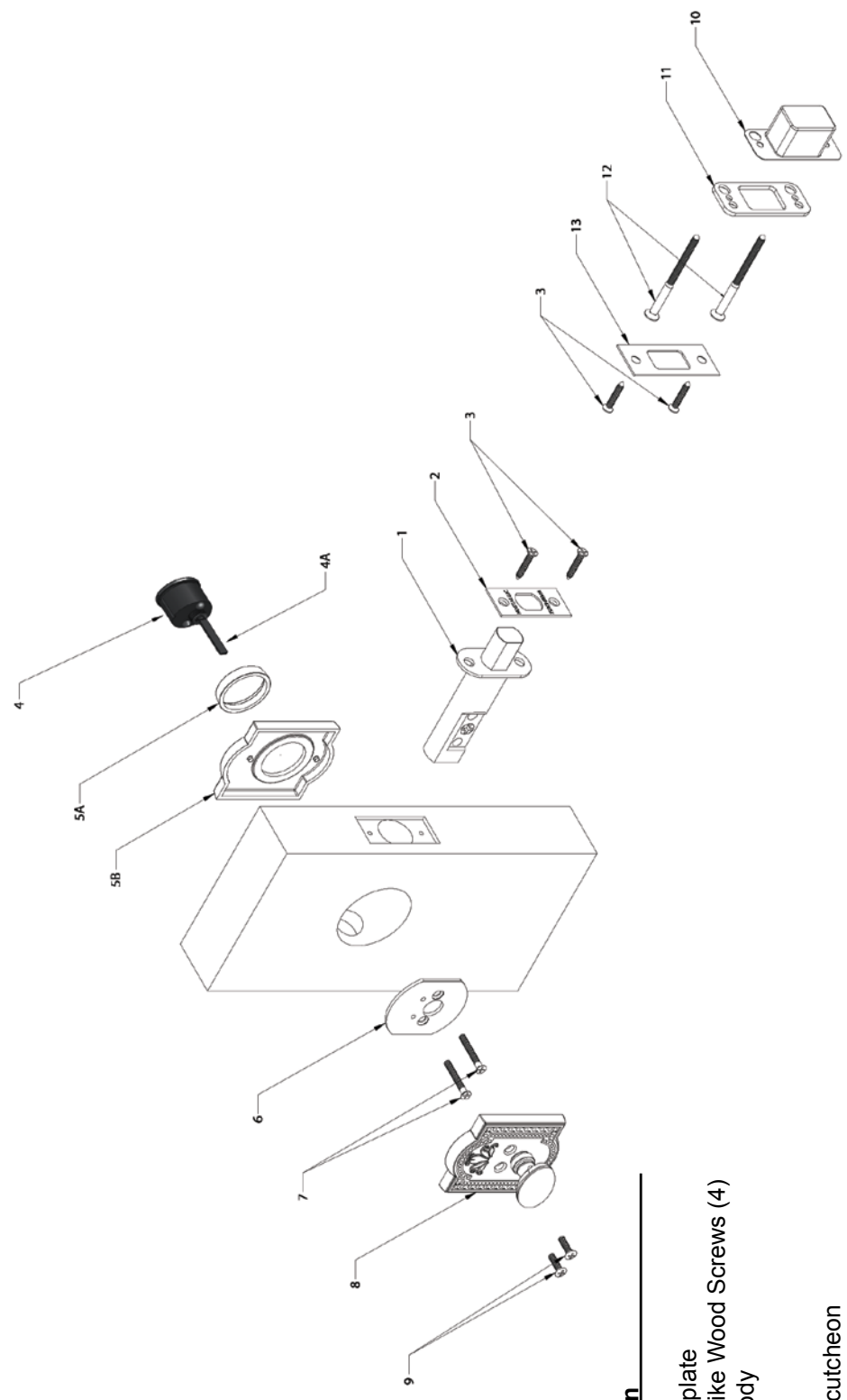


Grandeur
Luxury for Life™

For assistance call 1-844-372-6848 Mon-Fri, 7 am—4pm MST
or visit www.GrandeurHardware.com/support

*NOTE: Deadbolts fit doors 1-3/4" to 2-1/4" thick.
For thicker doors, please call customer service.*

Single Cylinder Deadbolt Exploded Parts Drawing



Part #	Part Description
1	Latch
2	Latch Faceplate
3	Latch & Strike Wood Screws (4)
4	Cylinder Body
4A	Tailpiece
5A	Spin Ring
5B	Outside Escutcheon
6	Deadbolt Adapter Plate
7	2-3/8" Machine Screws (2)
8	Thumbturn Assembly
9	5/8" Thumbturn Machine Screws (2)
10	Dust Box
11	Door Frame Reinforcer
12	3" Reinforcer Wood Screws (2)
13	Strike Plate