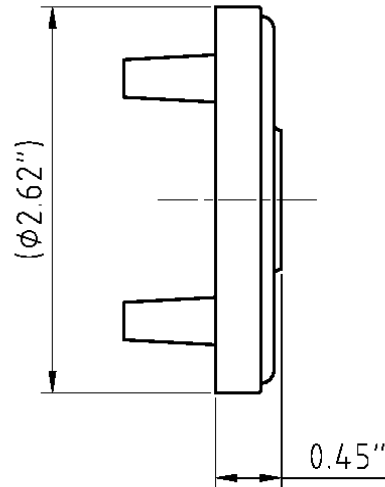
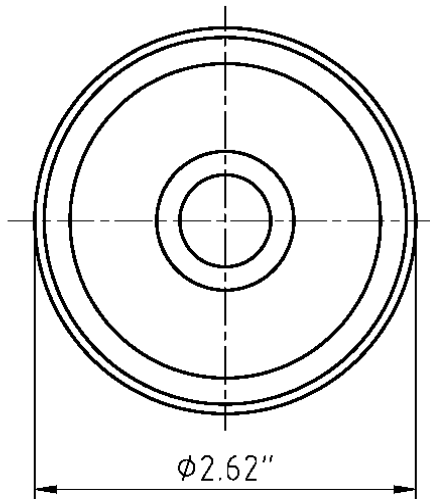


Georgetown Rosette



Georgetown Rosette in Antique Pewter

TECHNICAL SPECIFICATIONS

Collection:	Georgetown
Dimensions:	2.62" Diameter
Rosette Thickness:	0.45"
Material:	Solid Forged Brass

Georgetown Rosette can be combined with any Grandeur knob or lever.

Visit our website and use our

HARDWARE DESIGNER

to create your own unique combination.

AVAILABLE FINISHES



ANTIQUE PEWTER



BRIGHT CHROME



LIFETIME BRASS



POLISHED BRASS



POLISHED NICKEL



SATIN BRASS



SATIN NICKEL



TIMELESS BRONZE



VINTAGE BRASS