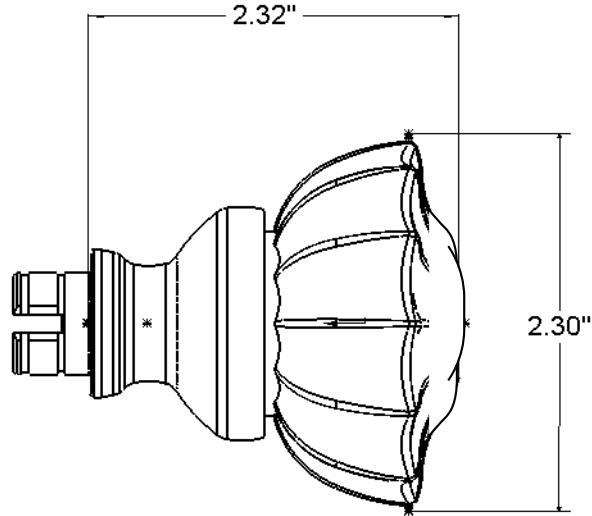


Fontainebleau Crystal Knob



Fontainebleau Crystal Knob in Polished Nickel

TECHNICAL SPECIFICATIONS

Collection:	Crystal
Dimensions:	2.3" Diameter
Projection:	2.32"
Material:	Lead-free Crystal on Solid Forged Brass Base

Fontainebleau Crystal Knob can be combined with any Grandeur rosette, short, long or tall plate.

Visit our website and use our

HARDWARE DESIGNER

to create your own unique combination.

AVAILABLE FINISHES



ANTIQUE
PEWTER



LIFETIME
BRASS



POLISHED
BRASS



POLISHED
NICKEL



SATIN
NICKEL



TIMELESS
BRONZE



VINTAGE
BRASS