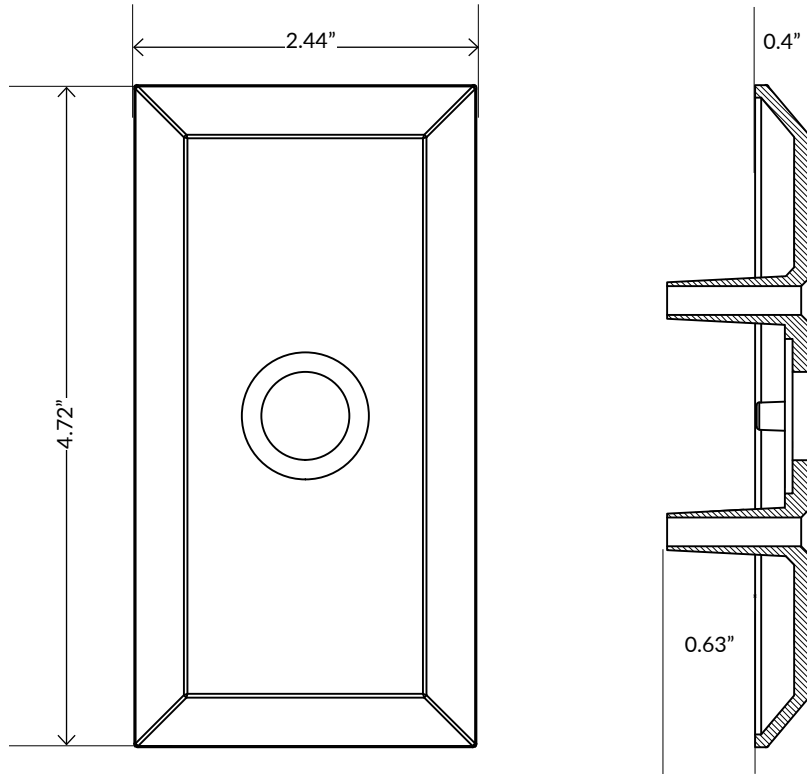


Fifth Avenue Short Plate



Fifth Avenue Short Plate in Timeless Bronze

TECHNICAL SPECIFICATIONS

Collection:	Fifth Avenue
Dimensions:	2.44" W x 4.72" H
Projection:	0.4"
Material:	Solid Forged Brass

Fifth Avenue Short Plate can be combined with any Grandeur knob or lever.

Visit our website and use our

HARDWARE DESIGNER

to create your own unique combination.

AVAILABLE FINISHES



ANTIQUE PEWTER



BRIGHT CHROME



LIFETIME BRASS



POLISHED BRASS



POLISHED NICKEL



SATIN BRASS



SATIN NICKEL



TIMELESS BRONZE



VINTAGE BRASS