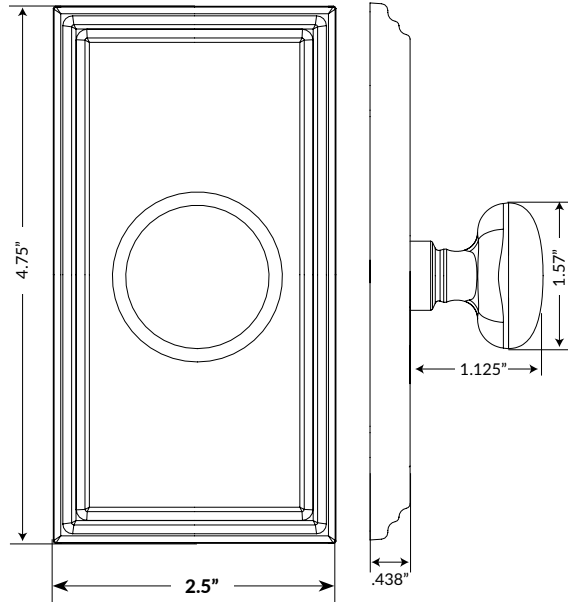


Carré Deadbolt



Carré Single Cylinder Deadbolt
in Vintage Brass

TECHNICAL SPECIFICATIONS

Collection:	Carré
Dimensions:	2.5" W x 4.75" H
Plate Thickness:	0.438"
Thumbturn Projection:	1.125"
Material:	Solid Forged Brass

Visit our website and use our

HARDWARE DESIGNER

to create your own unique combination.

AVAILABLE FINISHES



ANTIQUE
PEWTER



BRIGHT
CHROME



LIFETIME
BRASS



POLISHED
BRASS



POLISHED
NICKEL



SATIN
BRASS



SATIN
NICKEL



TIMELESS
BRONZE



VINTAGE
BRASS