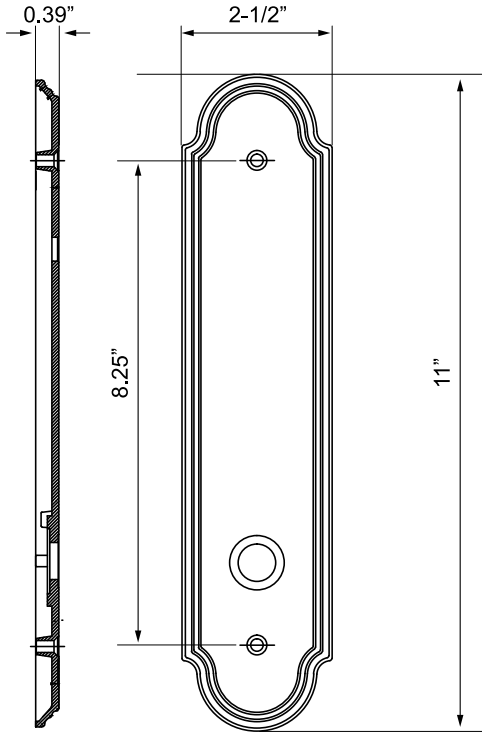


Arc Tall Plate



Arc Tall Plate in Polished Nickel

TECHNICAL SPECIFICATIONS

Collection:	Arc
Dimensions:	2.5" W x 11" H
Plate Thickness:	0.39"
Material:	Solid Forged Brass

Arc Tall Plate can be combined with any Grandeur knob or lever.

Visit our website and use our

HARDWARE DESIGNER

to create your own unique combination.

AVAILABLE FINISHES



ANTIQUE
PEWTER



BRIGHT
CHROME



LIFETIME
BRASS



POLISHED
BRASS



POLISHED
NICKEL



SATIN
BRASS



SATIN
NICKEL



TIMELESS
BRONZE



VINTAGE
BRASS