

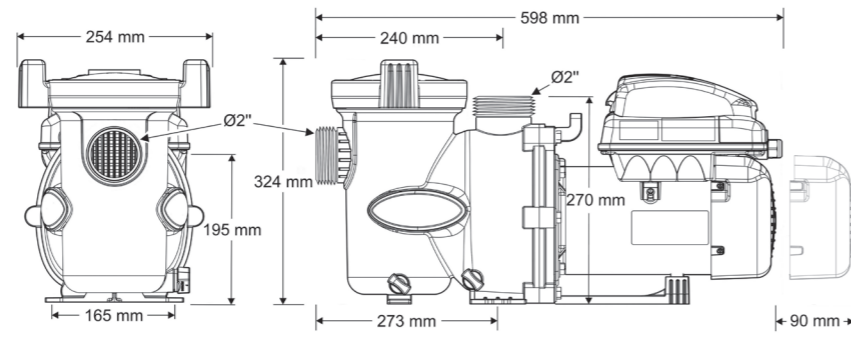


Choosing the right equipment

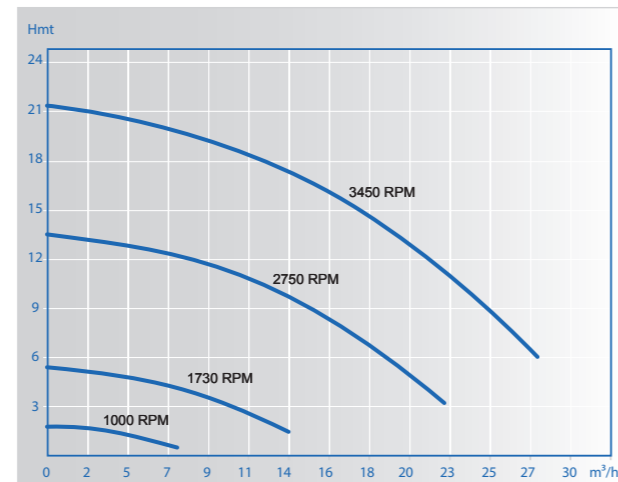


FLOPRO™ VS

Dimensions



Performance and features



Learn about the FloPro™ VS pump by scanning this QR Code.



3 YEAR WARRANTY



FloPro™ VS

SPECIFICATIONS	
Power rating	1.65 HP
Power supply	220-240 V - 50 Hz
Max P1	1.50 kW
Max P2	1.23 kW
Max Flow	29.5 m³/h
Flow at 10 m	24.0 m³/h
Max HMT	21.6 m
Speeds	600-3450 RPM 8 speeds can be saved
Insulation	Class F
Unit protection rating	IPX4
Outlets	Dry contacts, external activation, speeds 1-4 RS485 control for connection to AquaLink® TRI automation unit

FOR FLOPRO™ VS SYSTEMS

Zodiac® Boreal filter and Crystal Clear filter media



A range of high-quality, reinforced polyester filters, available in several diameters and designed to work perfectly with FloPro™ VS.



A pure glass filter media, available in two grain sizes, for exceptionally fine filtration and water savings (very short backwashes).

MagnaPool™



FloPro™ VS (like Boreal) goes along with the patented MagnaPool™ system, for a complete ecosystem and unequalled water treatment that includes the benefits of magnesium.

RCS Paris 395 068 679 - A better life - © Photo credits: Getty - ZODIAC®
ZODIAC® is a registered trademark of Zodiac International, S.A.S.U., used under license - www.le-filtr - WL15620

As an essential component of every swimming pool, the pump maintains water quality by recirculating it through filtration system and the water treatment.

Following years of research, Zodiac® has developed the intelligent, easy-to-install, environmentally friendly FloPro™ VS variable-speed pump.

A SIMPLE, SAFE PRODUCT



Easy to install

Easy to retrofit using the exclusive FloPro™ system, enabling the pump to be installed without modifying the plumbing in most installations.

Base(s)	Replacement
None	Hayward® TriStar® (SS & VS), SuperPump® (SS & VS), Max-Flo®, Max-Flo II®, Max-Flo XL® (SS & VS), Power-Flo II® Kripsol® ONDINA-OK, CARIBE-CK, KORAL-KSE, KORAL-KSV, EPSILON-EP Pentair® SuperFlo® (SS & VS), SuperMax® Saci® Optima Speck® BETTAR, BADU®Top, BADU®90, BADU90 Eco VS, EUROSTAR II, EUROSTAR ECO TOUCH Sta-Rite™ (S)5P1R®
Fine	Espa® Blaumar S1, Blaumar S2, Silenplus, Silen2, Silver Hayward® Super II® Saci® Winner
Fine + spacers	DAB® EUROSIM 50, 75 & 100 Pentair® UltraFlow® (SS & VS), Ultra-Glas™ Sta-Rite™ (S)5P3R AstralPool® Europa
Thick	AstralPool® Victoria Plus & Victoria Dual Speed, Discovery, Niagara Pentair® WhisperFlo® (SS & VS), WhisperPro®
Fine & thick	Pentair® (SW)5P6R (SS & VS), (S)5P2R

Note: Replacement compatibility is given according to pump inlet height, according to manufacturers' data. A tolerance of +/- 10 mm is acceptable if [intake pipe length] = 4 x [pipe diameter], according to applicable hydraulic system standards.



Easy to use

The multilingual user interface is backlit and can be installed remotely, with a kit that allows placement in an accessible, visible place.



Easy to clean

Large pre-filter basket (2.6 L), resistant to clogging to preserve the pool filter.



Quiet

Very low sound level and adjustable speeds from 600 to 3450 RPM.

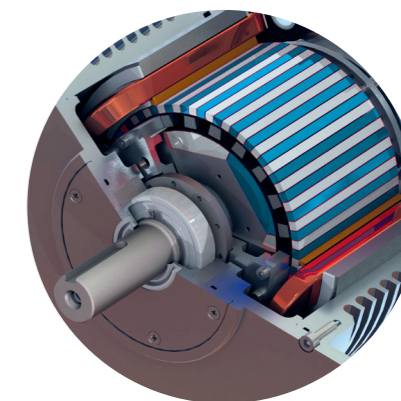


Safe

The motor has electronic protection and frost protection.

VARIABLE SPEEDS: AN ECONOMICAL, ENVIRONMENTALLY SOUND SOLUTION

FloPro™ VS has a high-output motor (> 80% according to IE3 standard). This is a TEFC⁽¹⁾ synchronous motor with permanent magnets, using ECM technology⁽²⁾.



(1) TEFC (Totally Enclosed Fan Cooled) : water-resistant, fan-cooled motor
 (2) ECM (Electronically Commutated Motor) : 'brushless' electronically controlled motor



ENERGY SAVING

Energy savings

With 100% variable speed, the pump can operate for longer periods during the day, at a lower speed. It works silently, and its energy consumption is reduced by up to 90%, while improving filtration efficiency. In this way, water treatment is optimised.



Intelligence

FloPro™ VS is compatible with Zodiac® AquaLink® TRi automation for optimised management of the pool and its equipment. Different speeds can be automatically assigned to each function. Thus, FloPro™ VS pays for itself in three to four seasons, thanks to energy savings (depending on the local cost per kWh).



Variable speed

FloPro™ VS can store up to 8 different speeds over a range from 600 RPM to 3450 RPM. This allows different speeds to be selected for each pool function: normal filtration, backwash, heating, cleaning, water features (slide or waterfall), etc.

Speed 1	Speed 2	Speed 3	Speed 4	Max. speed
Start/stop programming (timers)		Duration programming (timeout function for booster pumps, water features, etc.)		Maximum speed may be throttled for use with small filters, if installed in an existing pool
Speeds 1-4 may be activated with dry contacts (concurrent use with booster pump, pool cover, etc.)				